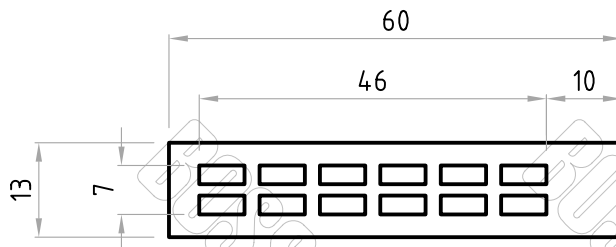
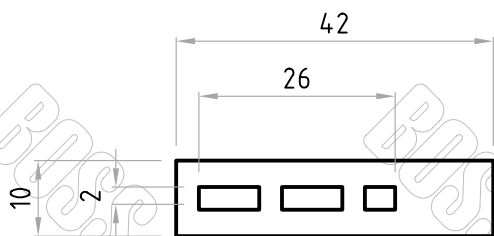


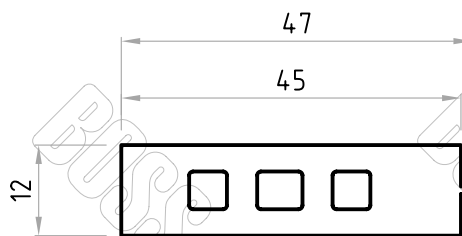
Part No. D02601
Part No. D02597



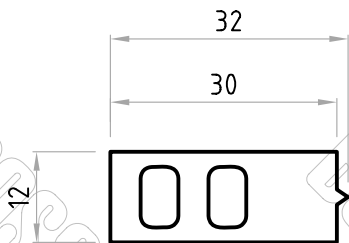
Part No. D01007



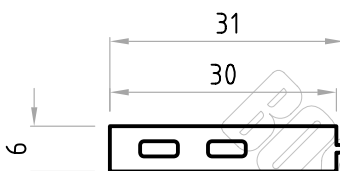
Part No. D02111



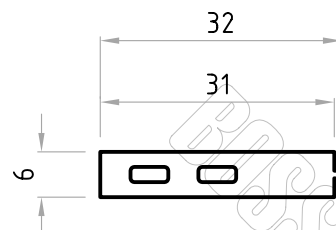
Part No. D02566



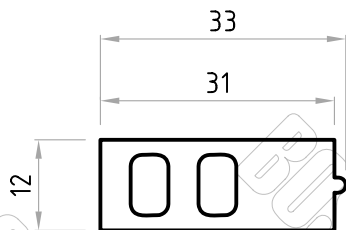
Part No. D02702



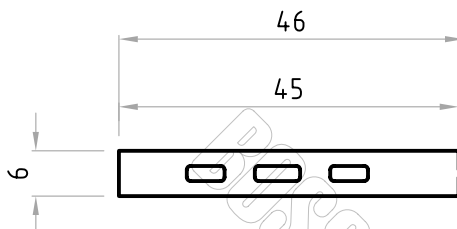
Part No. D02600



Part No. D02683

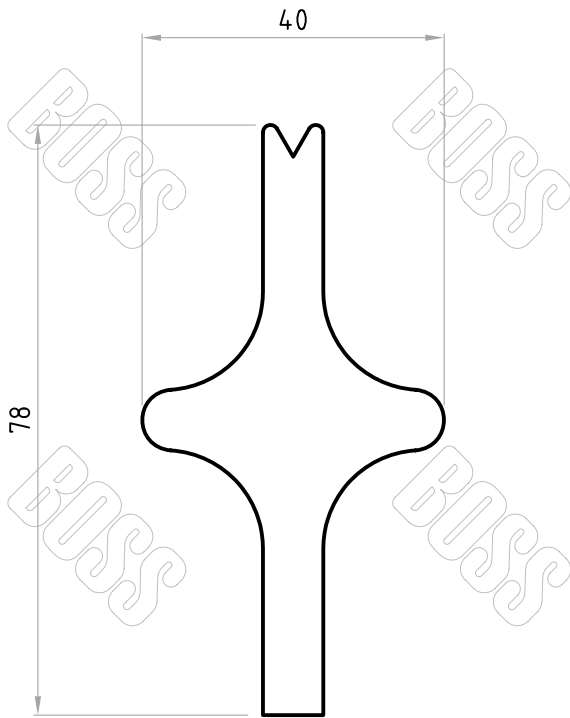


Part No. D02601
Part No. D02684

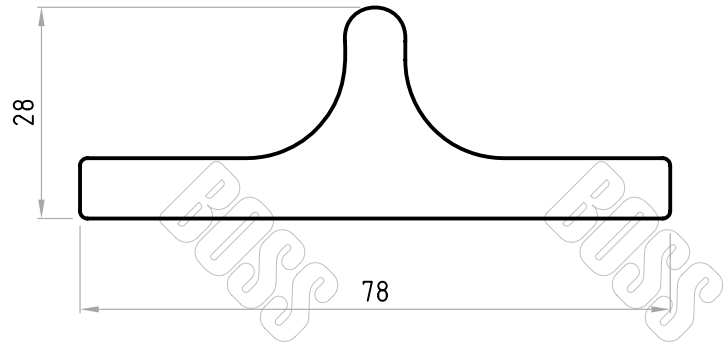


Part No. D02552

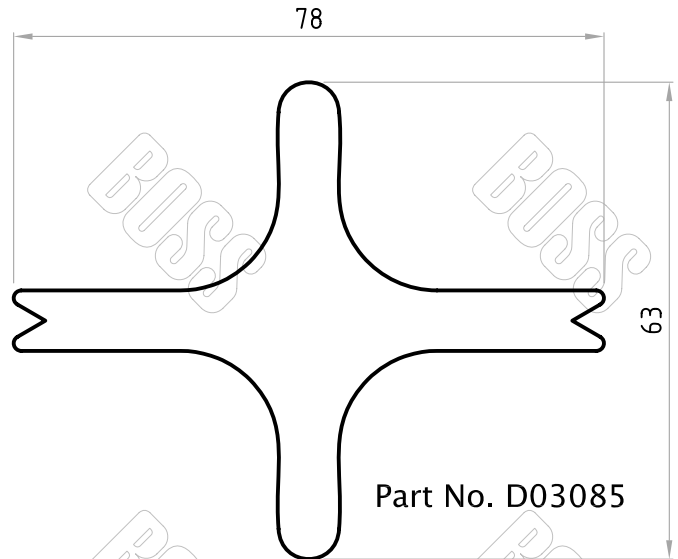
* Profile drawings appearing in this section are indicative only. some profiles may be restricted to specific customers, patents and or other limitations. The material displayed on this page may not be reprinted or otherwise reproduced without the express written permission of Boss Polymer Technologies.



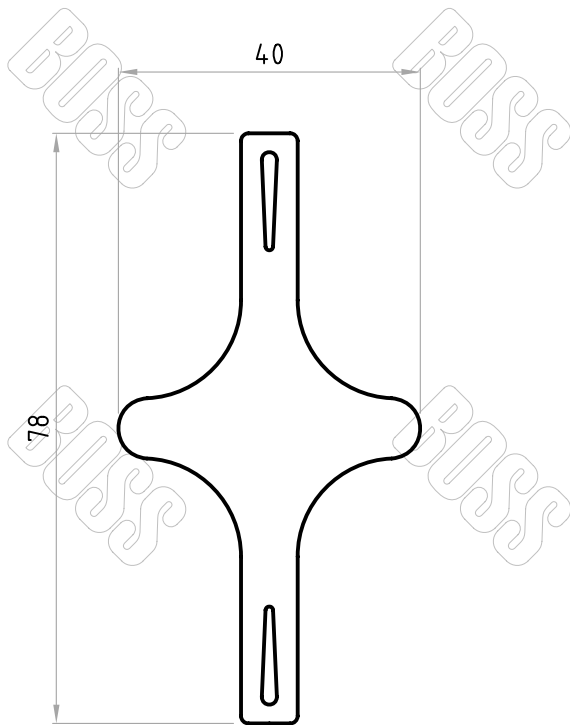
Part No. D03117



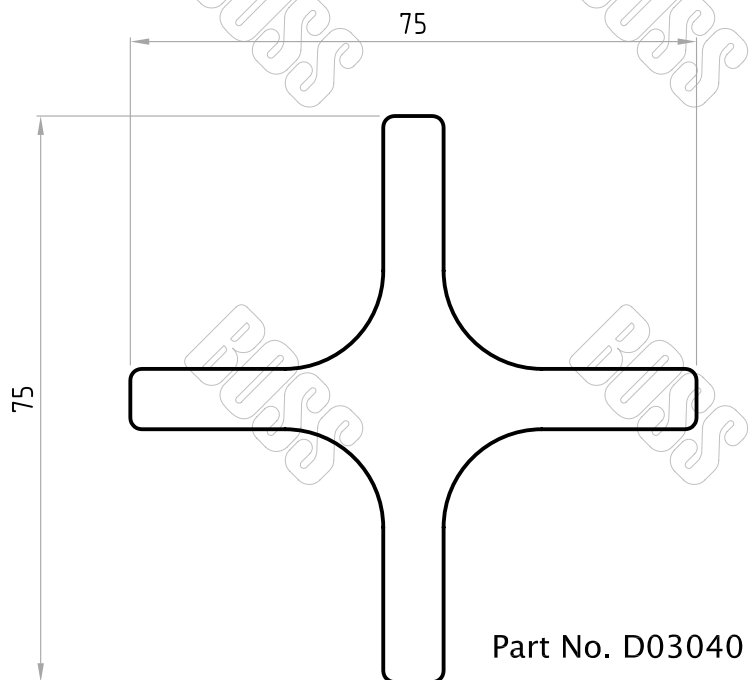
Part No. D03118



Part No. D03085



Part No. D03148



Part No. D03040

* Profile drawings appearing in this section are indicative only. some profiles may be restricted to specific customers, patents and or other limitations.
The material displayed on this page may not be reprinted or otherwise reproduced without the express written permission of Boss Polymer Technologies.

BOSS POLYMER TECHNOLOGIES PTY LTD
Melbourne Australia
PH: (613) 9561 2777
FAX: (613) 9560 8777
www.bosspolymer.com.au
E-MAIL: sales@bosspolymer.com.au