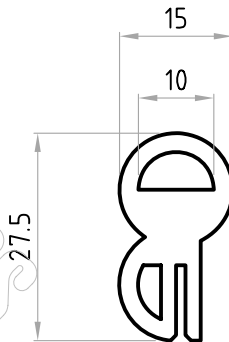
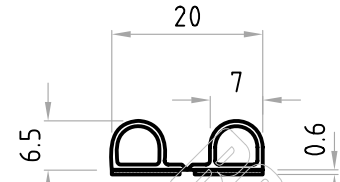


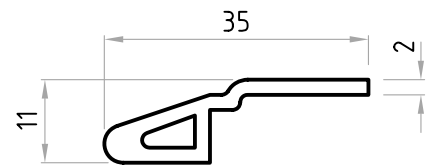
Part No. D03104



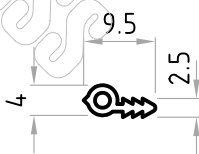
Part No. D02495



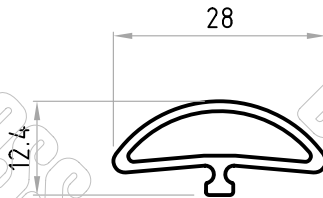
Part No. SK0058



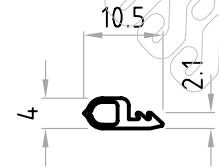
Part No. D03189



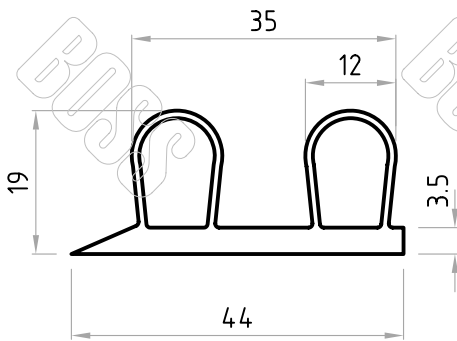
Part No. D02304



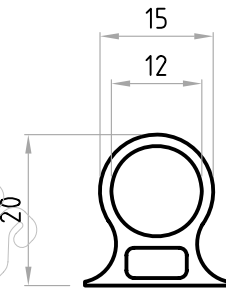
Part No. D03469



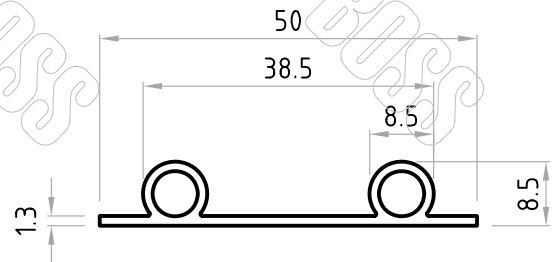
Part No. D02492



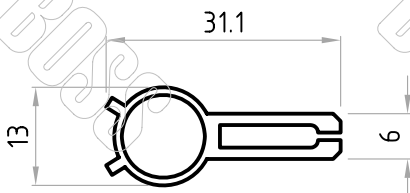
Part No. D01095



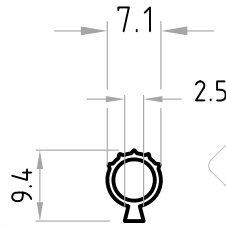
Part No. D02201



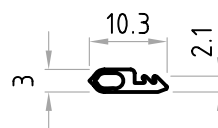
Part No. D00908



Part No. D02911



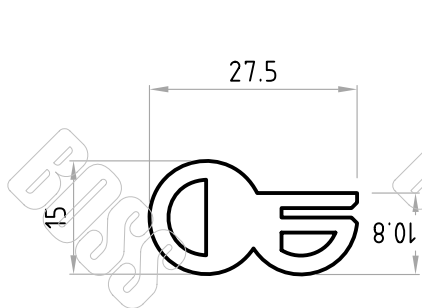
Part No. D03016



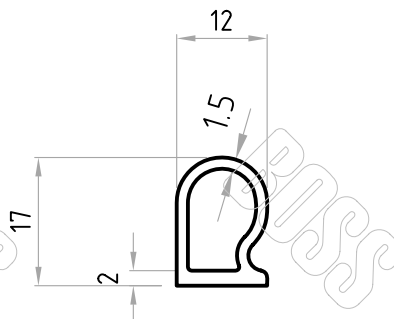
Part No. D02584

* Profile drawings appearing in this section are indicative only. some profiles may be restricted to specific customers, patents and or other limitations. The material displayed on this page may not be reprinted or otherwise reproduced without the express written permission of Boss Polymer Technologies.

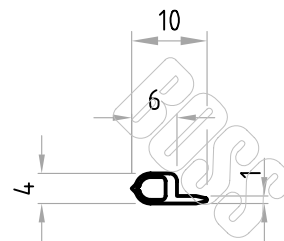
BOSS POLYMER TECHNOLOGIES PTY LTD
Melbourne Australia
PH: (613) 9561 2777
FAX: (613) 9560 8777
www.bosspolymer.com.au
E-MAIL: sales@bosspolymer.com.au



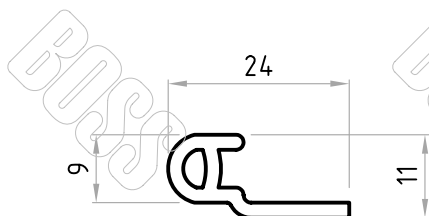
Part No. D02495



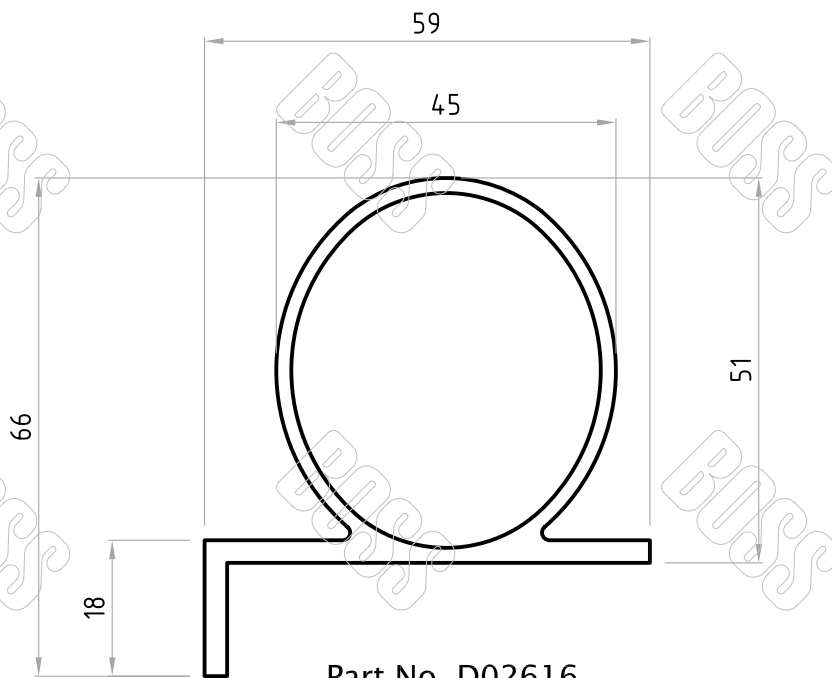
Part No. D02700



Part No. D02430



Part No. D02795



Part No. D02616

* Profile drawings appearing in this section are indicative only. some profiles may be restricted to specific customers, patents and or other limitations.
The material displayed on this page may not be reprinted or otherwise reproduced without the express written permission of Boss Polymer Technologies.