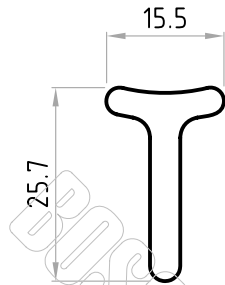
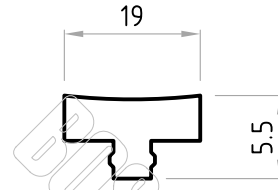


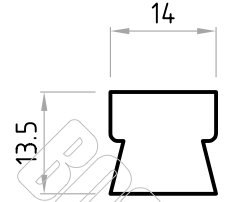
Part No. D03060



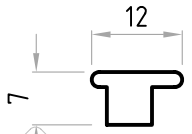
Part No. D00741



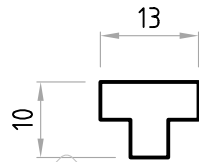
Part No. D03067



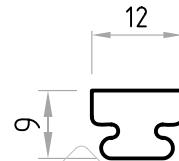
Part No. D02983



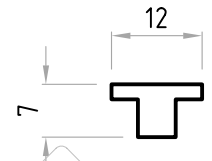
Part No. D01008



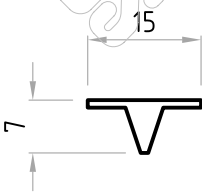
Part No. D01058



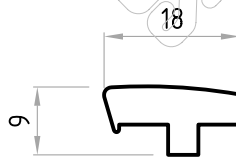
Part No. D00563



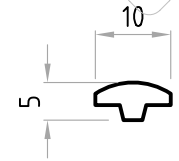
Part No. D02157



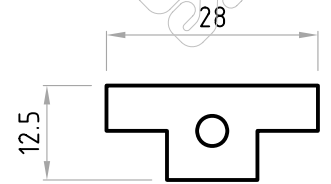
Part No. D02212



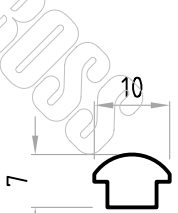
Part No. D03048



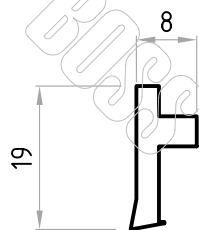
Part No. D03030



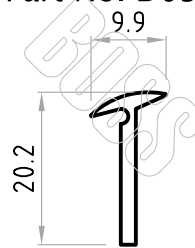
Part No. D02666



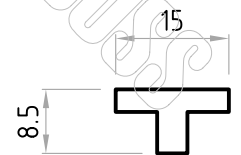
Part No. D02860



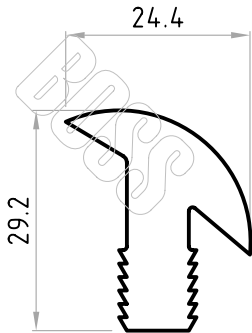
Part No. D02920



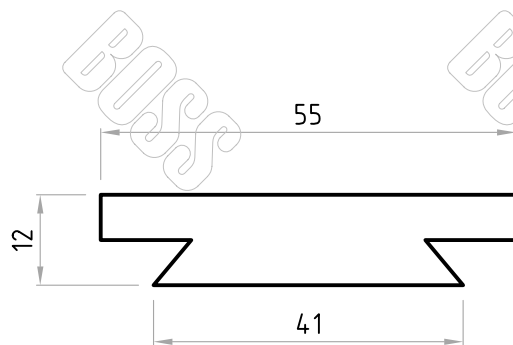
Part No. D02446



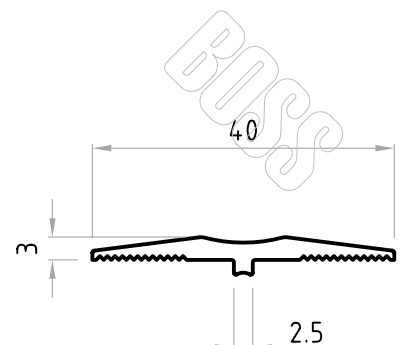
Part No. D02975



Part No. D00762
Part No. D00763



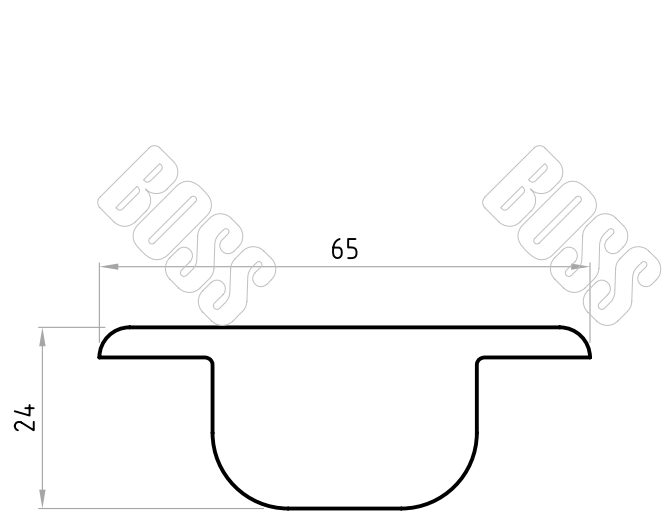
Part No. D02437



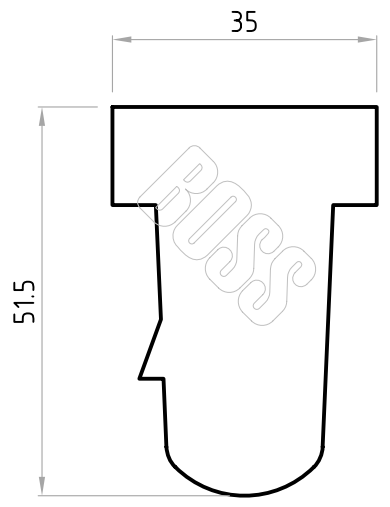
Part No. D03490

* Profile drawings appearing in this section are indicative only. some profiles may be restricted to specific customers, patents and or other limitations. The material displayed on this page may not be reprinted or otherwise reproduced without the express written permission of Boss Polymer Technologies.

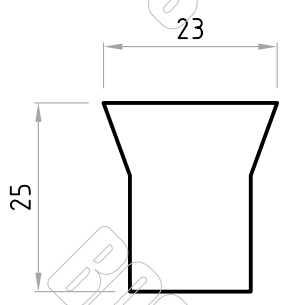
BOSS POLYMER TECHNOLOGIES PTY LTD
Melbourne Australia
PH: (613) 9561 2777
FAX: (613) 9560 8777
www.bosspolymer.com.au
E-MAIL: sales@bosspolymer.com.au



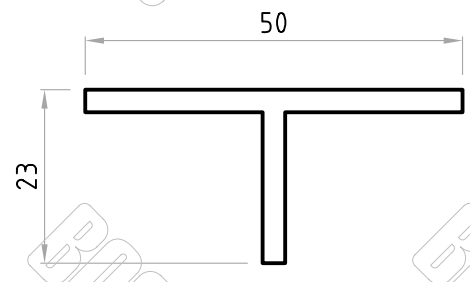
Part No. D00815



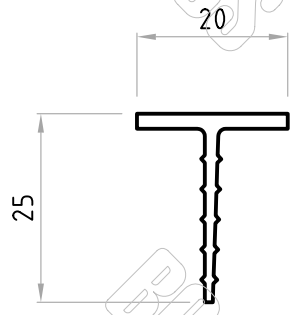
Part No. D02888



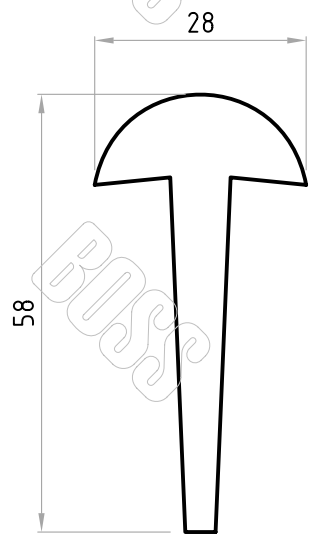
Part No. D00903



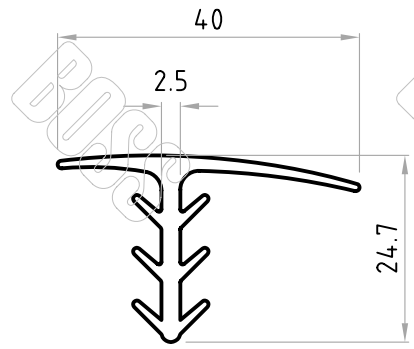
Part No. D02658



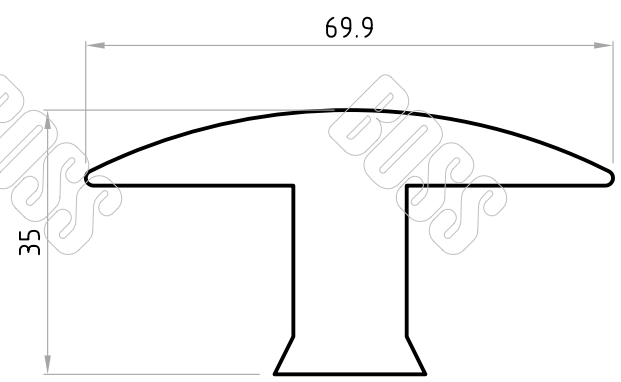
Part No. D03080



Part No. D02661

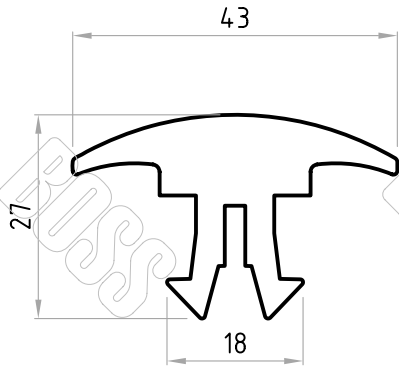


Part No. D03101

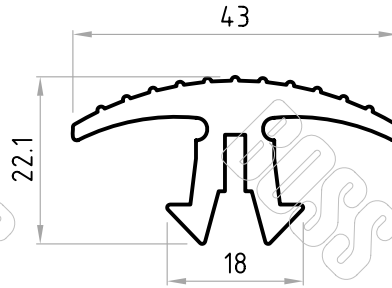


Part No. D02400

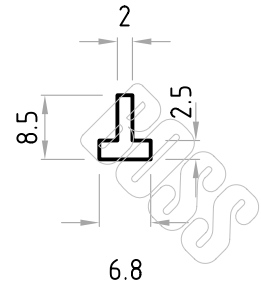
* Profile drawings appearing in this section are indicative only. some profiles may be restricted to specific customers, patents and or other limitations. The material displayed on this page may not be reprinted or otherwise reproduced without the express written permission of Boss Polymer Technologies.



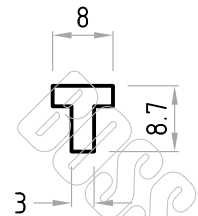
Part No. D03548



Part No. D03556



Part No. D03643



Part No. D03177