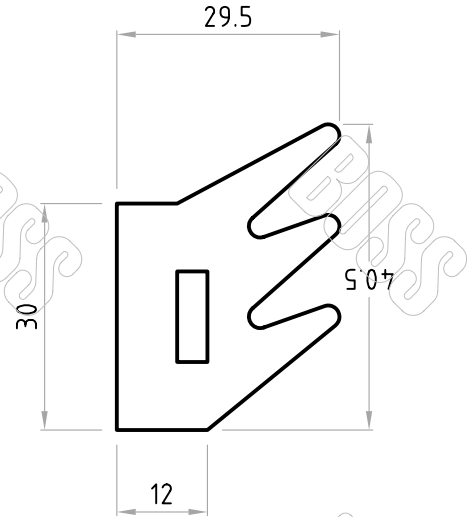


Part No. D03606



Part No. D00653

* Profile drawings appearing in this section are indicative only. some profiles may be restricted to specific customers, patents and or other limitations.
The material displayed on this page may not be reprinted or otherwise reproduced without the express written permission of Boss Polymer Technologies.