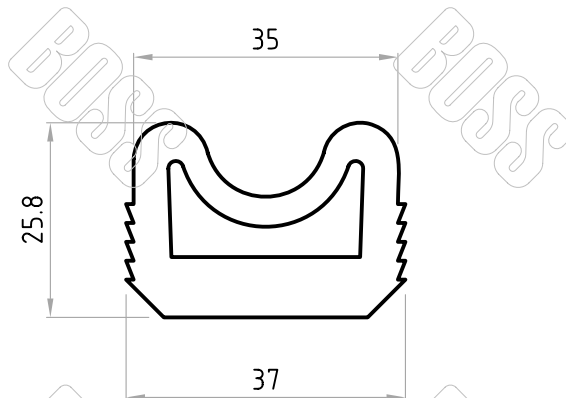
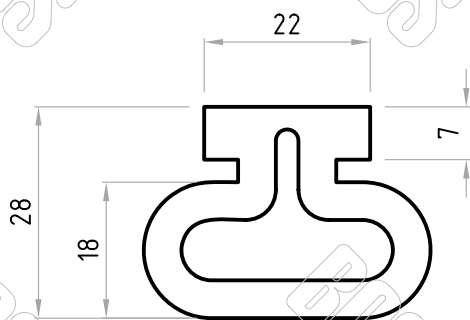


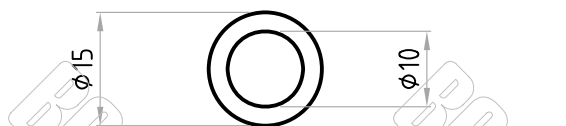
Part No. D03019



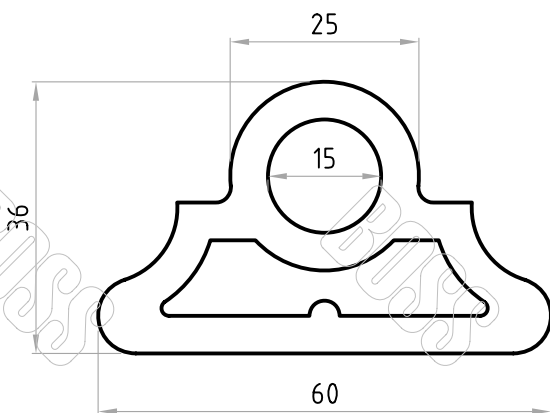
Part No. D02255



Part No. D02016



Part No. D01081



Part No. D02311

\* Profile drawings appearing in this section are indicative only. some profiles may be restricted to specific customers, patents and or other limitations.  
The material displayed on this page may not be reprinted or otherwise reproduced without the express written permission of Boss Polymer Technologies.

BOSS POLYMER TECHNOLOGIES PTY LTD  
Melbourne Australia  
PH: (613) 9561 2777  
FAX: (613) 9560 8777  
www.bosspolymer.com.au  
E-MAIL: sales@bosspolymer.com.au