





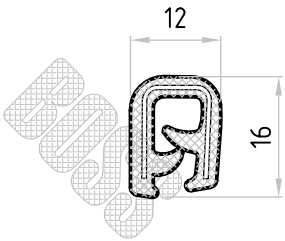
Your Engineering Partner

Contents

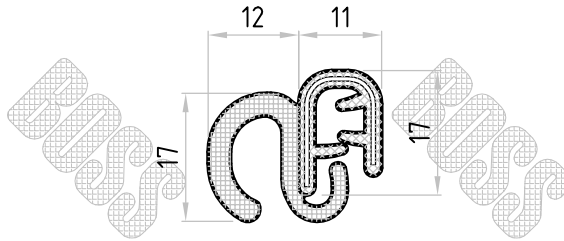
Pinchweld Extrusions

..... 7.1.0 EPDM with Embedded Wire Carrier Bonded to EPDM Sponge

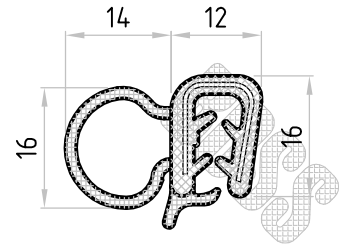
..... 7.2.0 PVC with Embedded Wire Carrier Bonded to EPDM Sponge



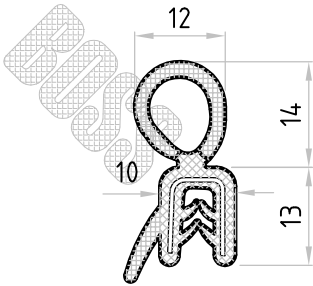
Part No. 042-0001



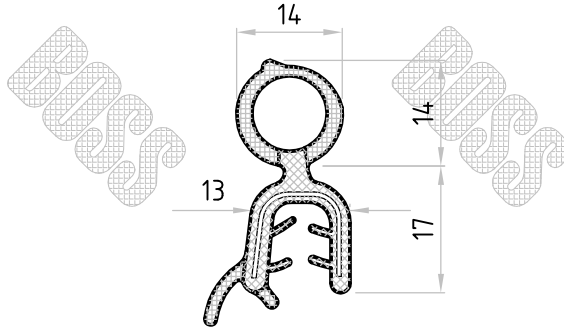
Part No. 042-0002



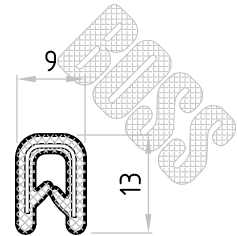
Part No. 042-0003



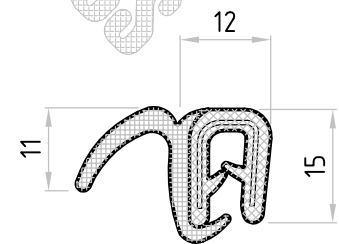
Part No. 042-0004



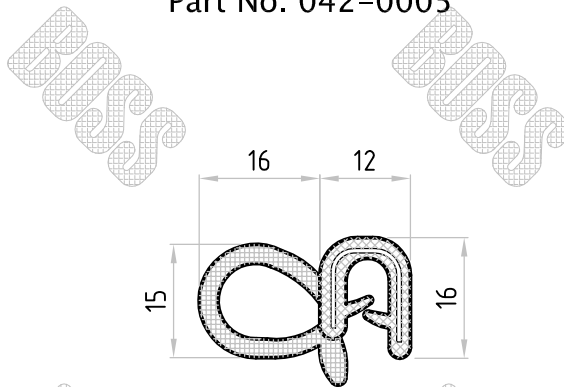
Part No. 042-0005



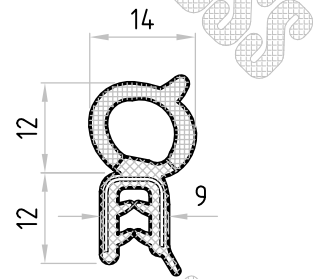
Part No. 042-0006



Part No. 042-0007



Part No. 042-0008



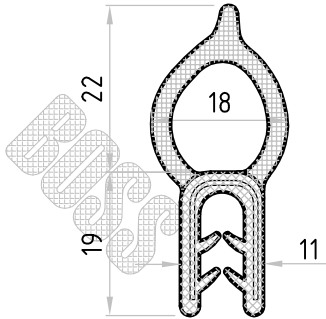
Part No. 042-0009

All supplied in 50 metre coils
All dimension in millimetres

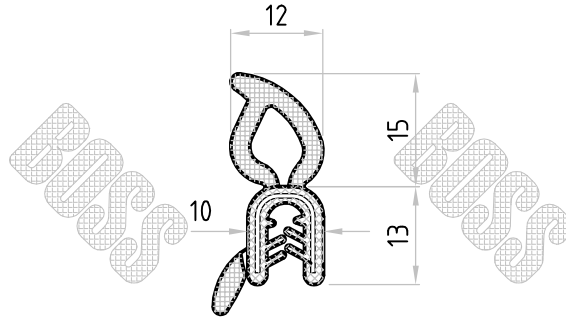
* Profile drawings appearing in this section are indicative only. some profiles may be restricted to specific customers, patents and or other limitations, The material displayed on this page may not be reprinted or otherwise reproduced without the express written permission of Boss Polymer Technologies.

BOSS POLYMER TECHNOLOGIES PTY LTD
Melbourne Australia
PH: (613) 9561 2777
FAX: (613) 9560 8777
www.bosspolymer.com.au
E-MAIL: sales@bosspolymer.com.au

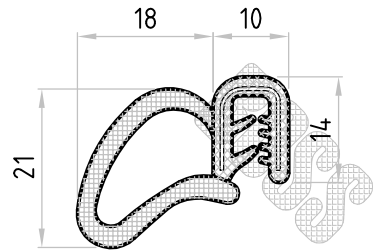
Pinchweld



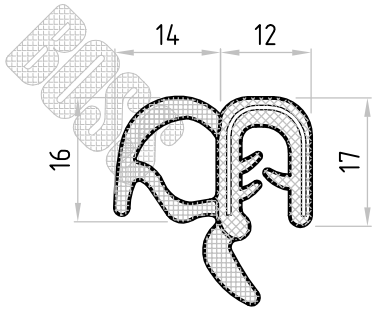
Part No. 042-0010



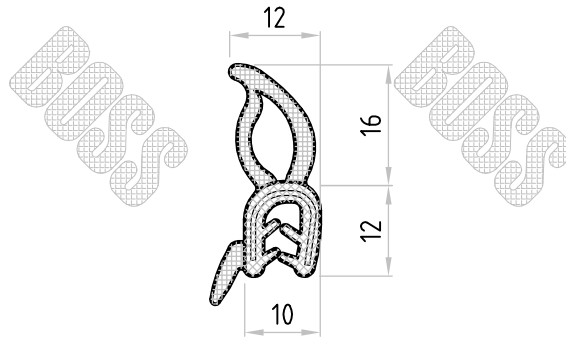
Part No. 042-0011



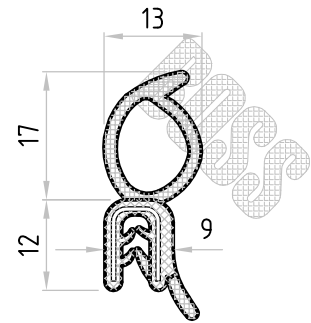
Part No. 042-0012



Part No. 042-0013

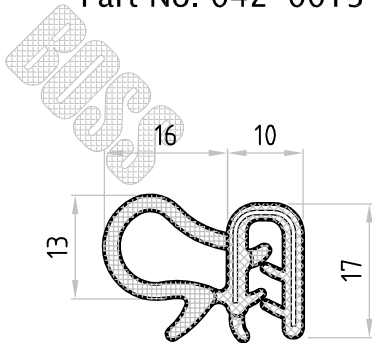


Part No. 042-0014

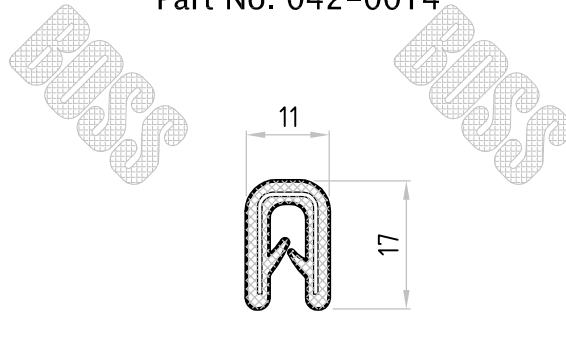


Part No. 042-0015

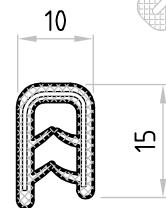
Equiv. to BS263376



Part No. 042-0016



Part No. 042-0017

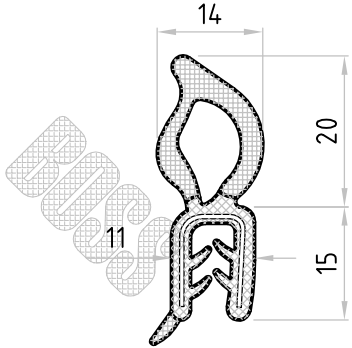


Part No. 042-0018

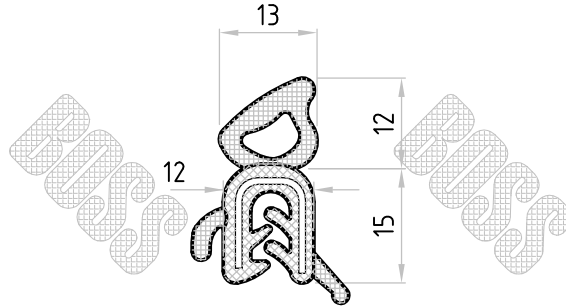
All supplied in 50 metre coils
All dimension in millimetres

* Profile drawings appearing in this section are indicative only. some profiles may be restricted to specific customers, patents and or other limitations. The material displayed on this page may not be reprinted or otherwise reproduced without the express written permission of Boss Polymer Technologies.

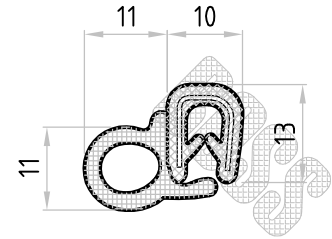
BOSS POLYMER TECHNOLOGIES PTY LTD
Melbourne Australia
PH: (613) 9561 2777
FAX: (613) 9560 8777
www.bosspolymer.com.au
E-MAIL: sales@bosspolymer.com.au



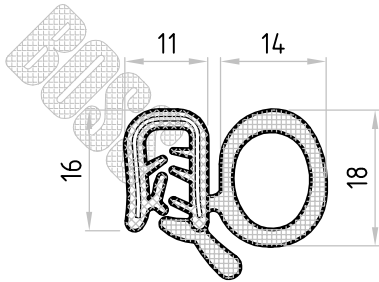
Part No. 042-0019



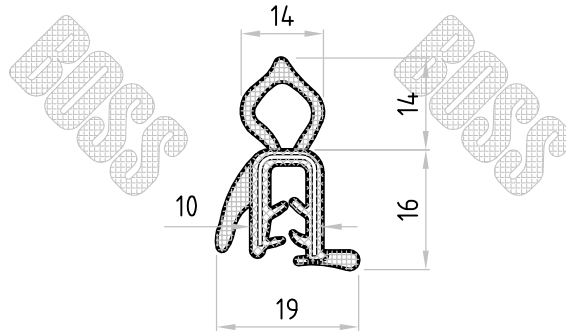
Part No. 042-0020#



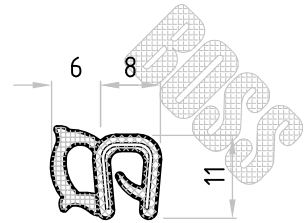
Part No. 042-0021



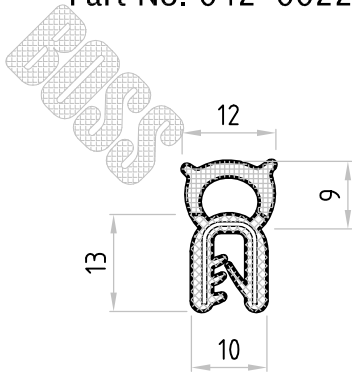
Part No. 042-0022#



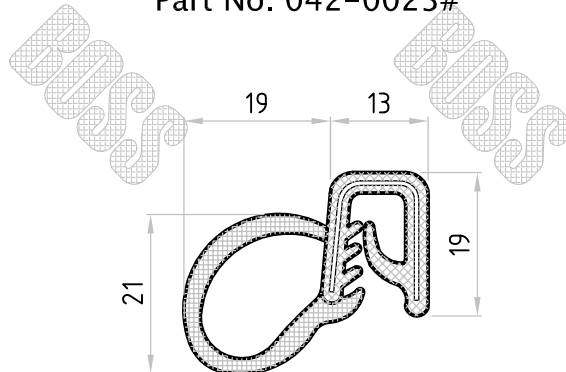
Part No. 042-0023#



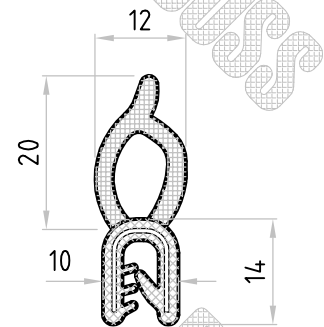
Part No. 042-0024



Part No. 042-0025



Part No. 042-0026



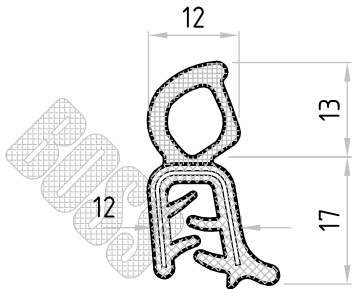
Part No. 042-0027

All supplied in 50 metre coils
To special order only
All dimension in millimetres

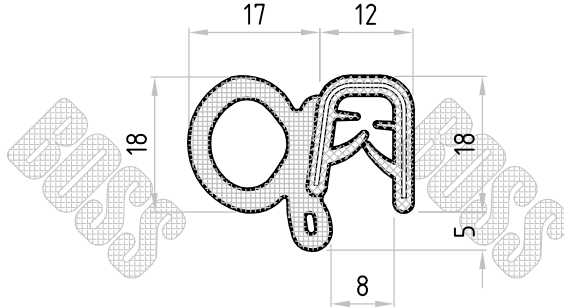
* Profile drawings appearing in this section are indicative only. some profiles may be restricted to specific customers, patents and or other limitations, The material displayed on this page may not be reprinted or otherwise reproduced without the express written permission of Boss Polymer Technologies.

BOSS POLYMER TECHNOLOGIES PTY LTD
Melbourne Australia
PH: (613) 9561 2777
FAX: (613) 9560 8777
www.bosspolymer.com.au
E-MAIL: sales@bosspolymer.com.au

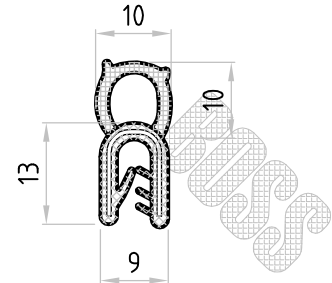
Pinchweld



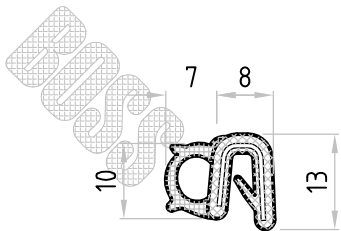
Part No. 042-0028



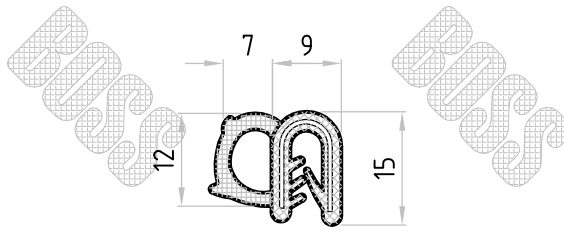
Part No. 042-0029



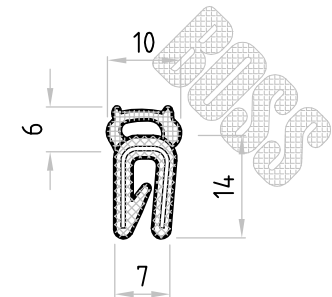
Part No. 042-0030 SCH*



Part No. 042-0031 SCH*



Part No. 042-0032 SCH*



Part No. 042-0033 SCH*

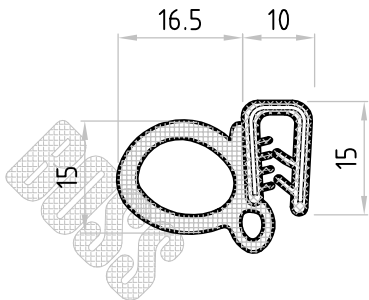
All supplied in 50 metre coils

* Part nos. suffixed by the letter sch incorporate Schlegel type wire cage for maximum flexibility.

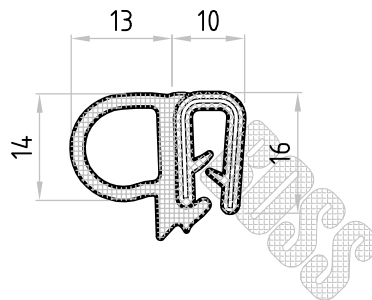
All dimension in millimetres

* Profile drawings appearing in this section are indicative only. some profiles may be restricted to specific customers, patents and or other limitations, The material displayed on this page may not be reprinted or otherwise reproduced without the express written permission of Boss Polymer Technologies.

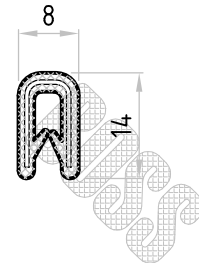
BOSS POLYMER TECHNOLOGIES PTY LTD
Melbourne Australia
PH: (613) 9561 2777
FAX: (613) 9560 8777
www.bosspolymer.com.au
E-MAIL: sales@bosspolymer.com.au



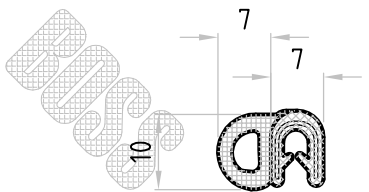
Part No. 042-0034 Black
Equiv to BS283879



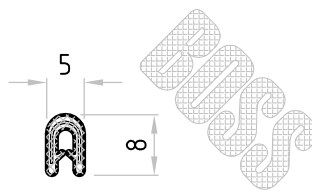
Part No. 042-0035N
Black



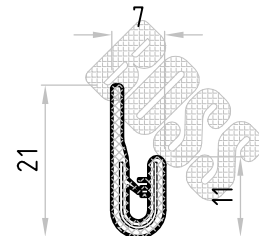
Part No. 042-0036B
Black



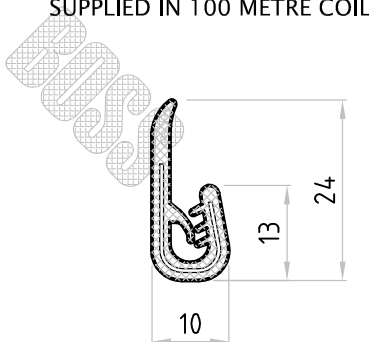
Part No. 042-0037 Black
SUPPLIED IN 100 METRE COILS



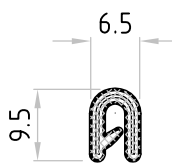
Part No. 042-0038 Black
SUPPLIED IN 100 METRE COILS



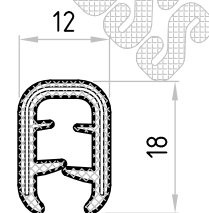
Part No. 042-0039#
Black



Part No. 042-0040# Black
SUPPLIED IN 150 METRE COILS



Part No. 042-0041 Black
SUPPLIED IN 100 METRE COILS

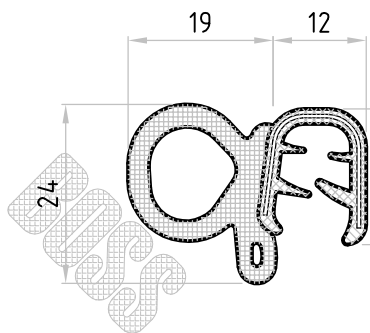


Part No. 042-0042 Camel
Part No. 042-0043 Charcoal
Part No. 042-0044 Blue/Grey
SUPPLIED IN 100 METRE COILS

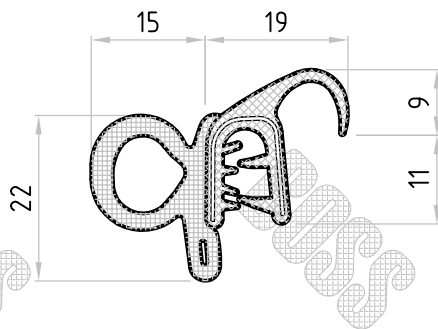
To special order only
unless ptherwise specified
All supplied in 50 metre coil
All dimensions in millimetres

* Profile drawings appearing in this section are indicative only. some profiles may be restricted to specific customers, patents and or other limitations. The material displayed on this page may not be reprinted or otherwise reproduced without the express written permission of Boss Polymer Technologies.

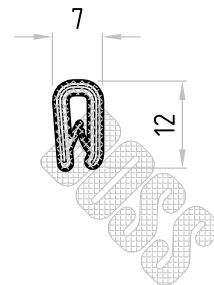
BOSS POLYMER TECHNOLOGIES PTY LTD
Melbourne Australia
PH: (613) 9561 2777
FAX: (613) 9560 8777
www.bosspolymer.com.au
E-MAIL: sales@bosspolymer.com.au



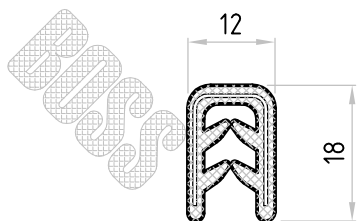
Part No. 042-0042/S Camel
Part No. 042-0043/S Charcoal
Part No. 042-0044/S Blue/Grey



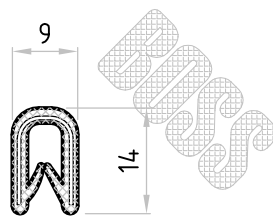
Part No. 042-0045G Grey



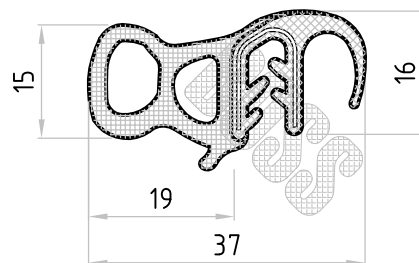
Part No. 042-0046



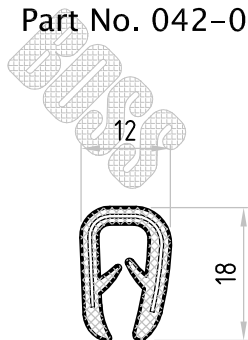
Part No. 042-0047 Black
Equiv. to BS 224881
Part No. 042-0048 Grey



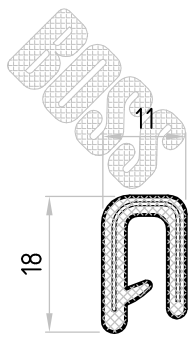
Part No. 042-0049



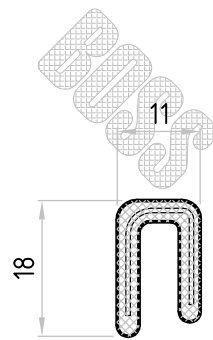
Part No. 042-0050 Grey



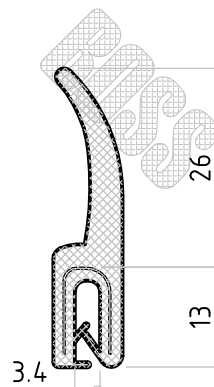
Part No. 042-0051
Black



Part No. 042-0052
Black



Part No. 042-0053
Black

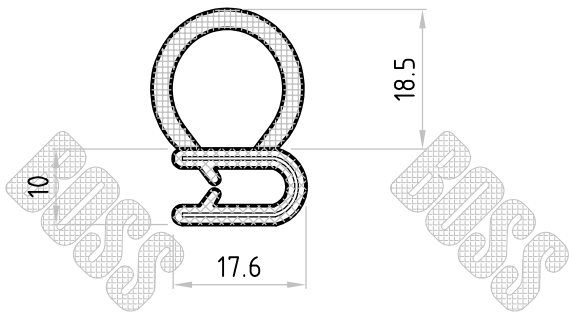


Part No. 042-0054
GTS

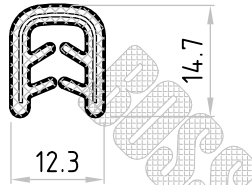
To special order only
unless ptherwise specified
All supplied in 50 metre coil
All dimensions in millimetres

* Profile drawings appearing in this section are indicative only. some profiles may be restricted to specific customers, patents and or other limitations, The material displayed on this page may not be reprinted or otherwise reproduced without the express written permission of Boss Polymer Technologies.

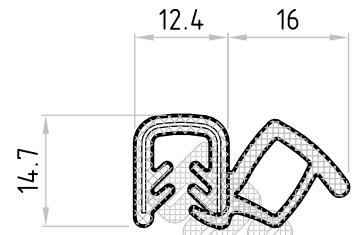
BOSS POLYMER TECHNOLOGIES PTY LTD
Melbourne Australia
PH: (613) 9561 2777
FAX: (613) 9560 8777
www.bosspolymer.com.au
E-MAIL: sales@bosspolymer.com.au



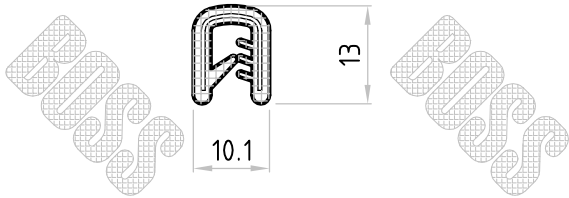
Part No. 042-0055



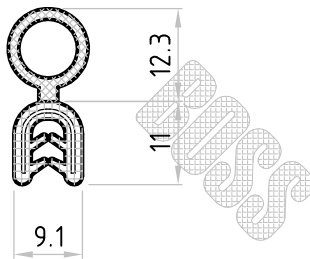
Part No. 042-0056



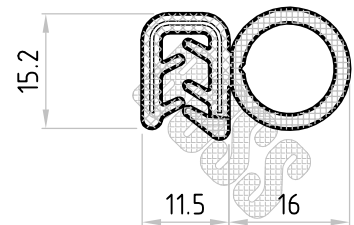
Part No. 042-0057



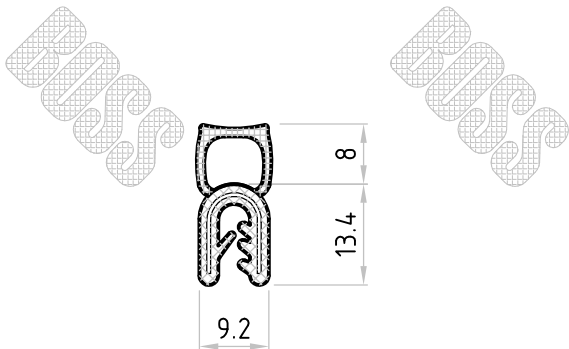
Part No. 042-0058



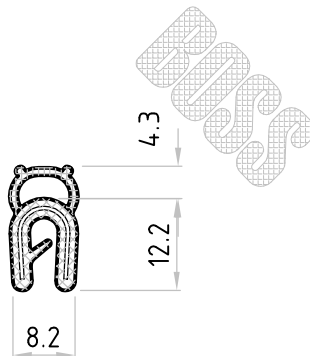
Part No. 042-0059



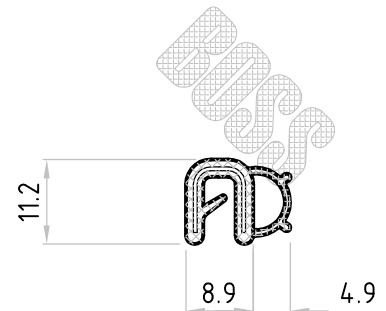
Part No. 042-0060



Part No. 042-0061



Part No. 042-0062



Part No. 042-0063

To special order only
unless ptherwise specified
All supplied in 50 metre coil
All dimensions in millimetres

* Profile drawings appearing in this section are indicative only. some profiles may be restricted to specific customers, patents and or other limitations, The material displayed on this page may not be reprinted or otherwise reproduced without the express written permission of Boss Polymer Technologies.

BOSS POLYMER TECHNOLOGIES PTY LTD
Melbourne Australia
PH: (613) 9561 2777
FAX: (613) 9560 8777
www.bosspolymer.com.au
E-MAIL: sales@bosspolymer.com.au