



Your Engineering Partner

Contents

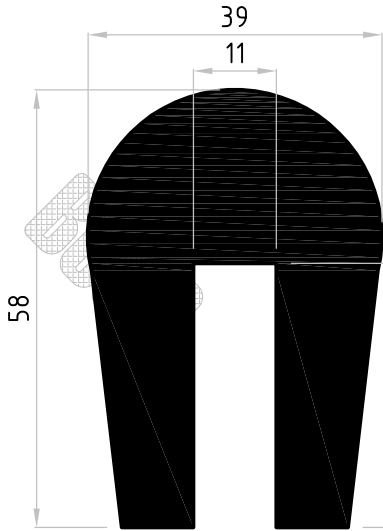
Mining / Refining Extrusions

.....
5.1.0 Capping Sections

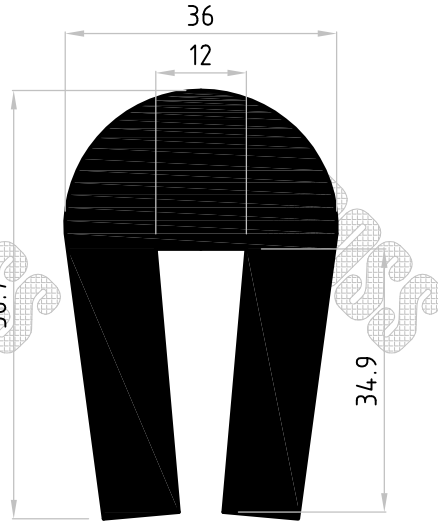
.....
5.2.0 Conveyor Profiles

.....
5.3.0 Miscellaneous Profiles

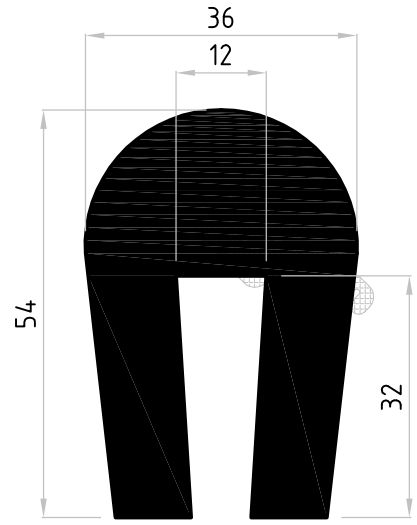
Extrusions



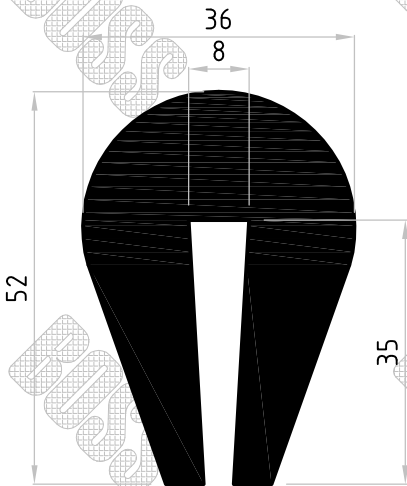
No. 1
Part No. D00685



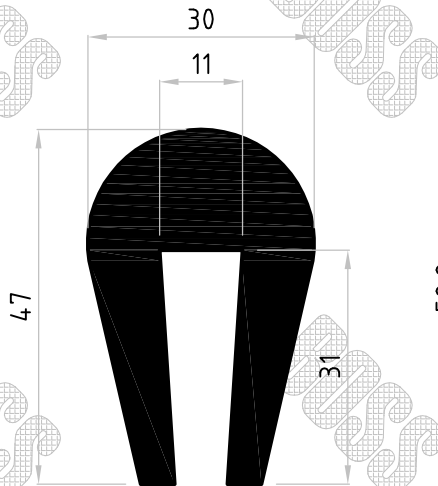
No. 1
Part No. D02043



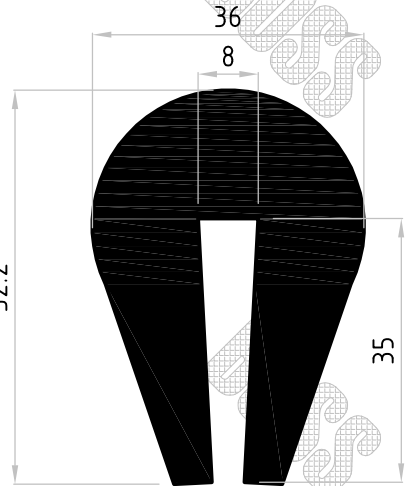
No. 2
Part No. D02428



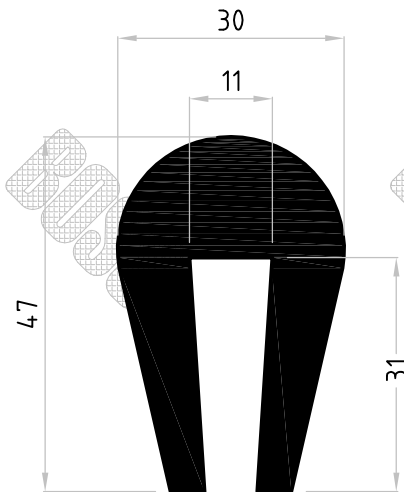
No. 3
Part No. D02518



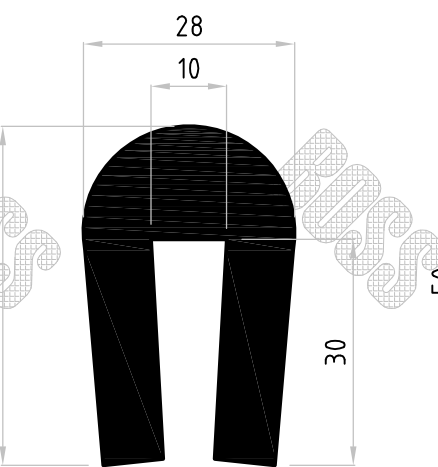
No. 3
Part No. D02614



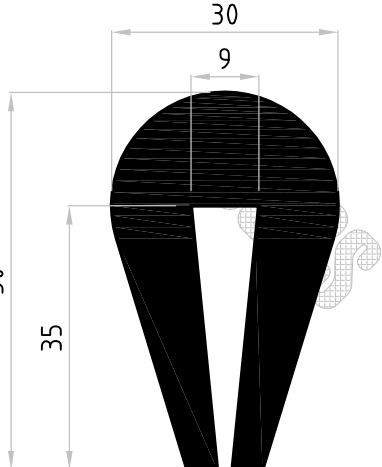
No. 3
Part No. D02343



No. 3
Part No. D02429



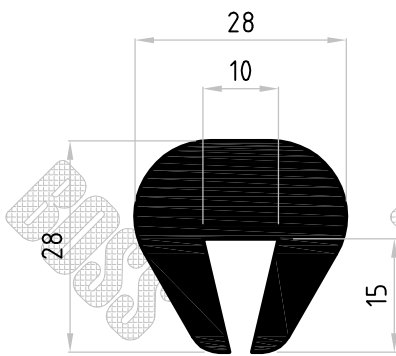
No. 45P
Part No. D02344



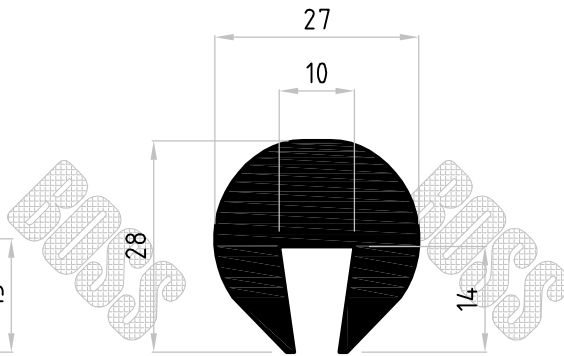
Part No. D02739

* Profile drawings appearing in this section are indicative only. some profiles may be restricted to specific customers, patents and or other limitations, The material displayed on this page may not be reprinted or otherwise reproduced without the express written permission of Boss Polymer Technologies.

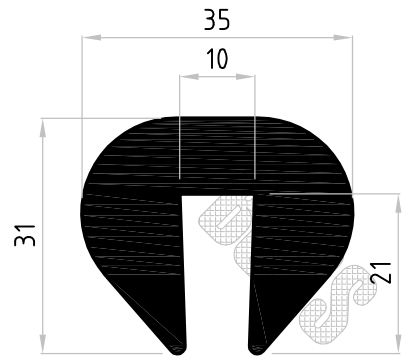
BOSS POLYMER TECHNOLOGIES PTY LTD
Melbourne Australia
PH: (613) 9561 2777
FAX: (613) 9560 8777
www.bosspolymer.com.au
E-MAIL: sales@bosspolymer.com.au



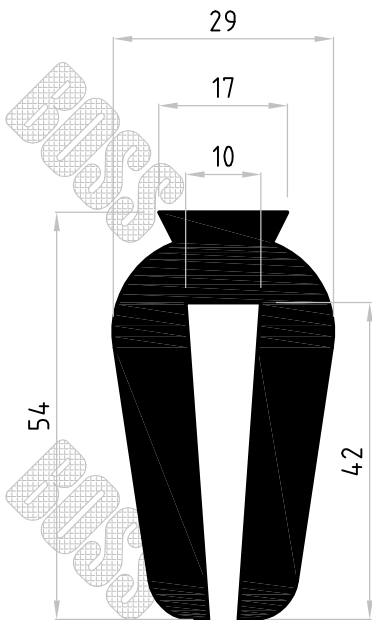
No. 5
Part No. D00689



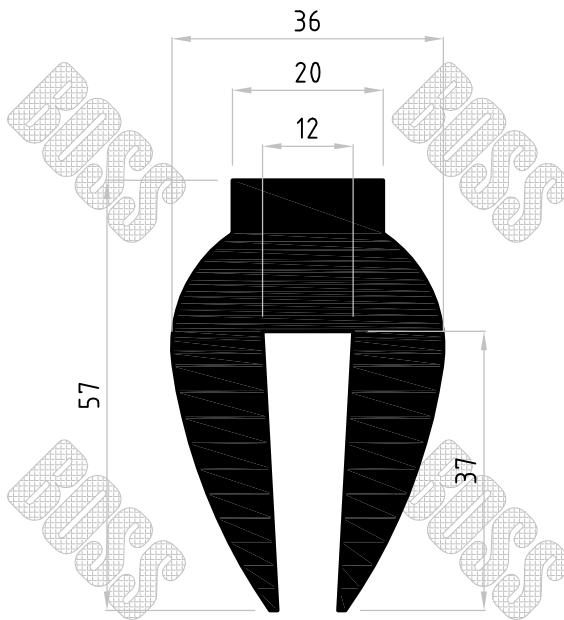
No. 5
Part No. D02444



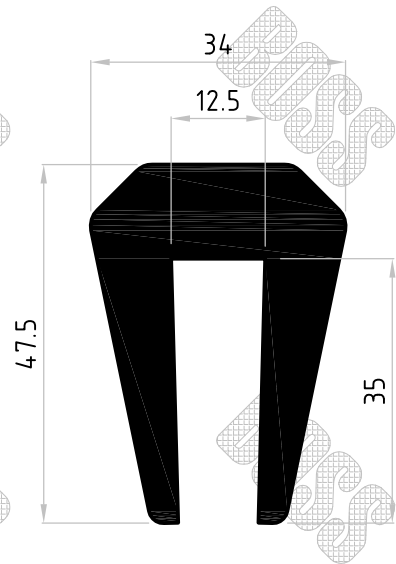
No. 7
Part No. D00692



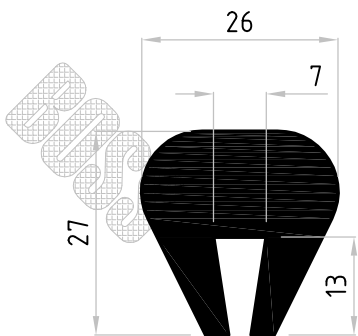
No. 6
Part No. D02393



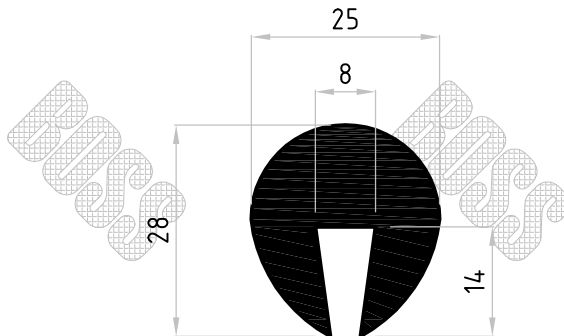
No. 6
Part No. D00690



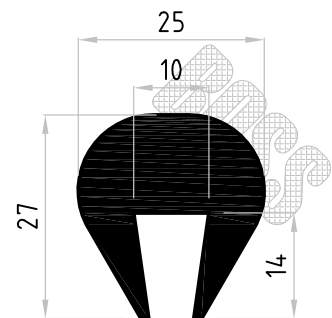
No. 14
Part No. D02488



No. 11
Part No. D02635



No. 12
Part No. D02639

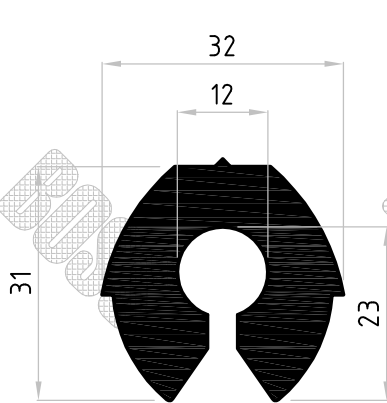


No. 8
Part No. D02583

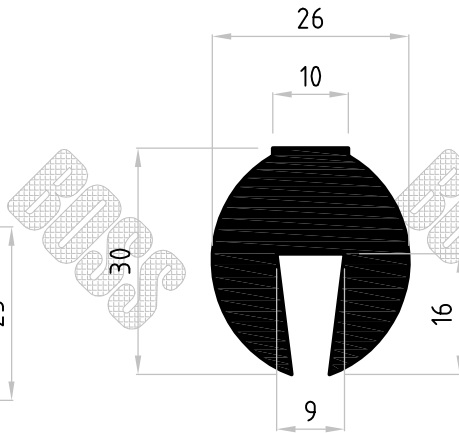
* Profile drawings appearing in this section are indicative only. some profiles may be restricted to specific customers, patents and or other limitations, The material displayed on this page may not be reprinted or otherwise reproduced without the express written permission of Boss Polymer Technologies.

BOSS POLYMER TECHNOLOGIES PTY LTD
Melbourne Australia
PH: (613) 9561 2777
FAX: (613) 9560 8777
www.bosspolymer.com.au
E-MAIL: sales@bosspolymer.com.au

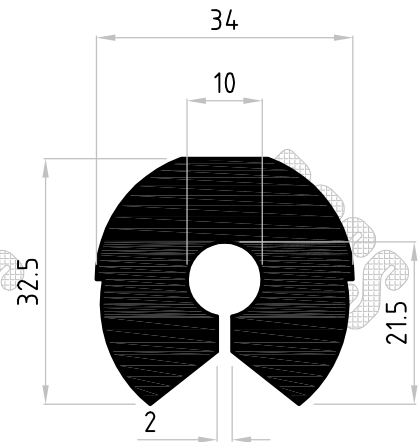
Extrusions



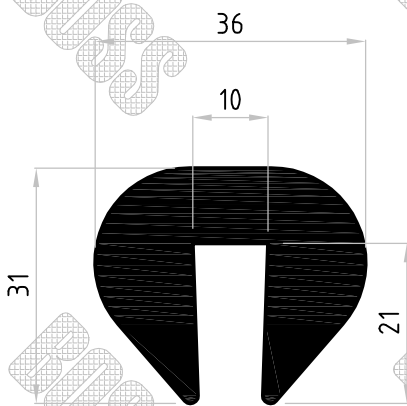
No. 13
Part No. D02427



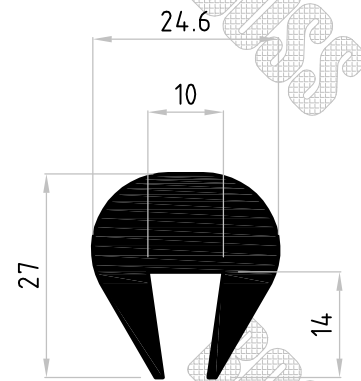
No. 12
Part No. D02638



No. 13
Part No. D01089

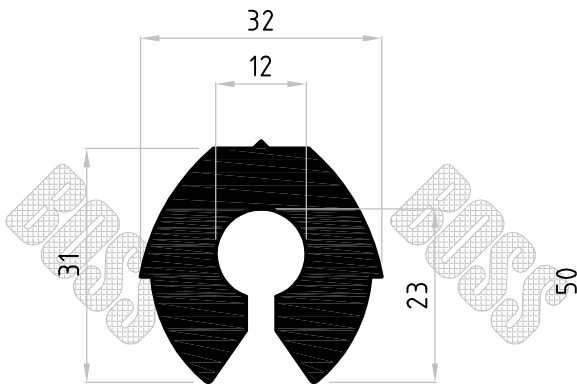


Part No. D02633

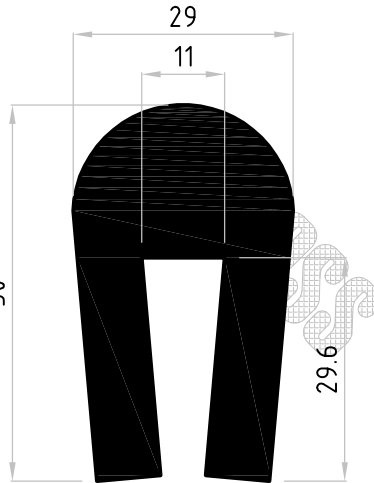


Part No. D01075

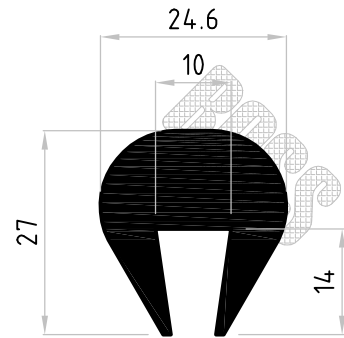
Extrusions



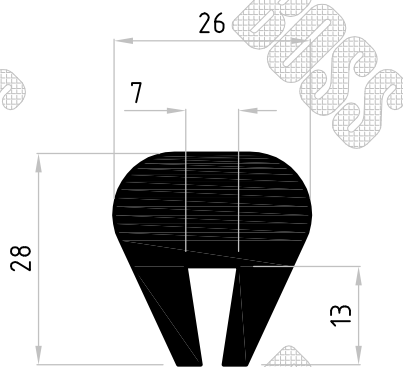
No. 13
Part No. D02155



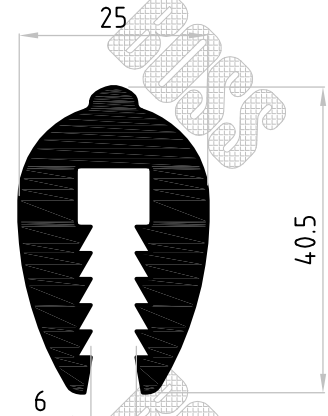
Part No. D02002



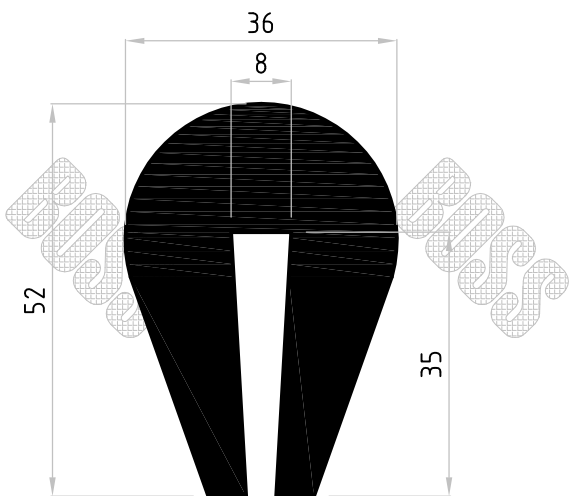
Part No. D02365



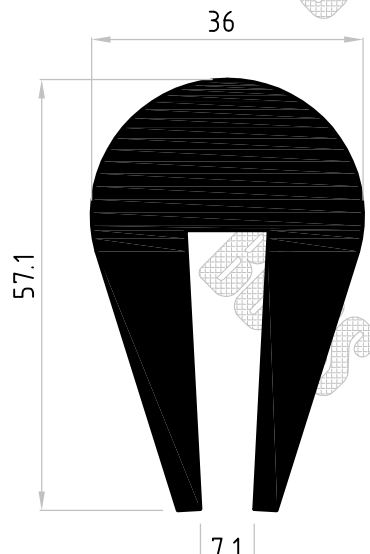
Part No. D01057



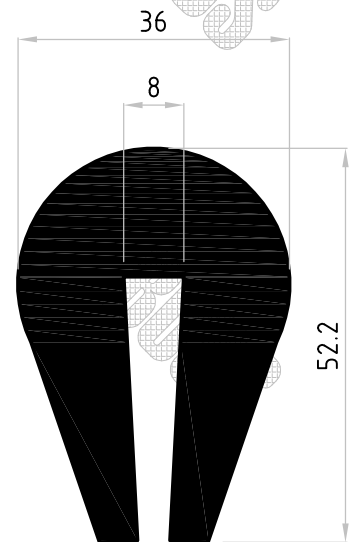
Part No. D03429



Part No. D02453



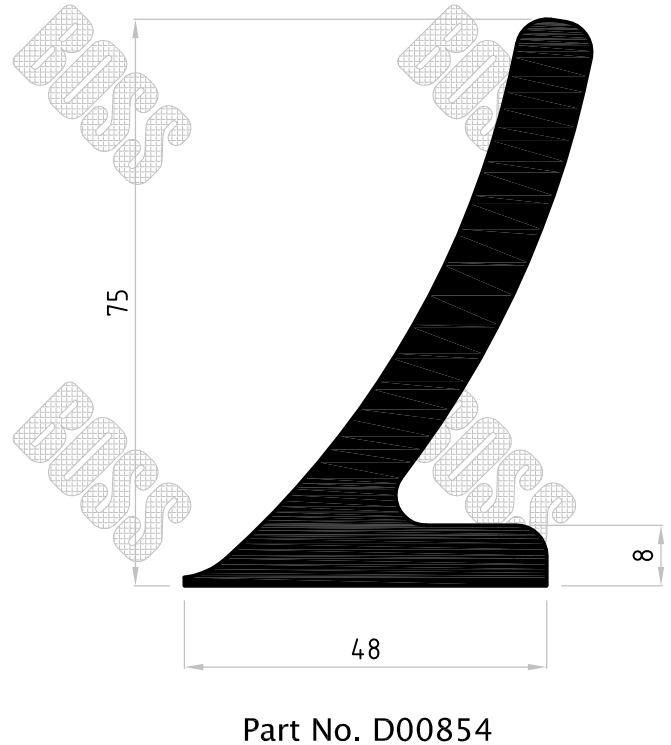
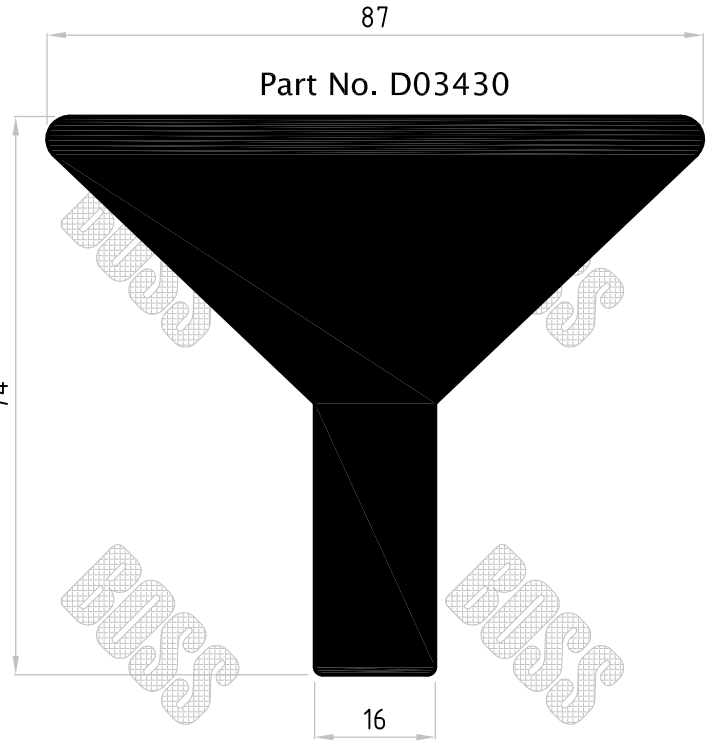
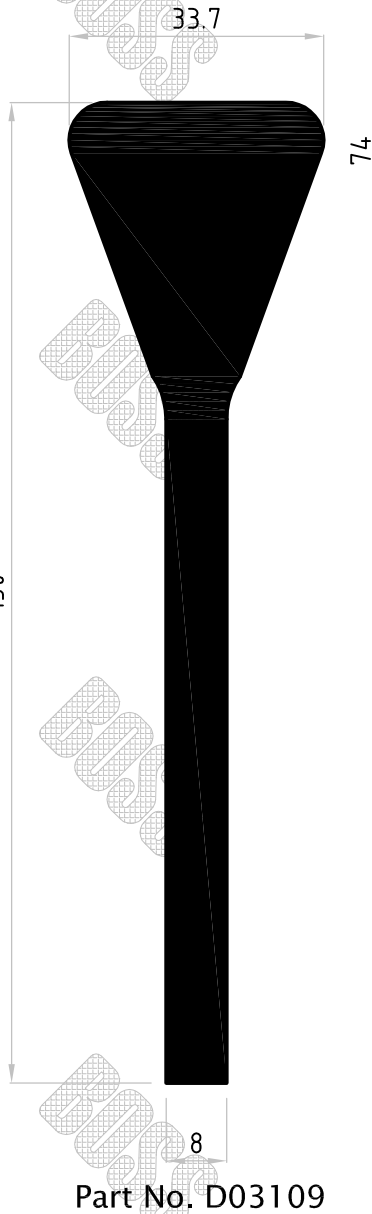
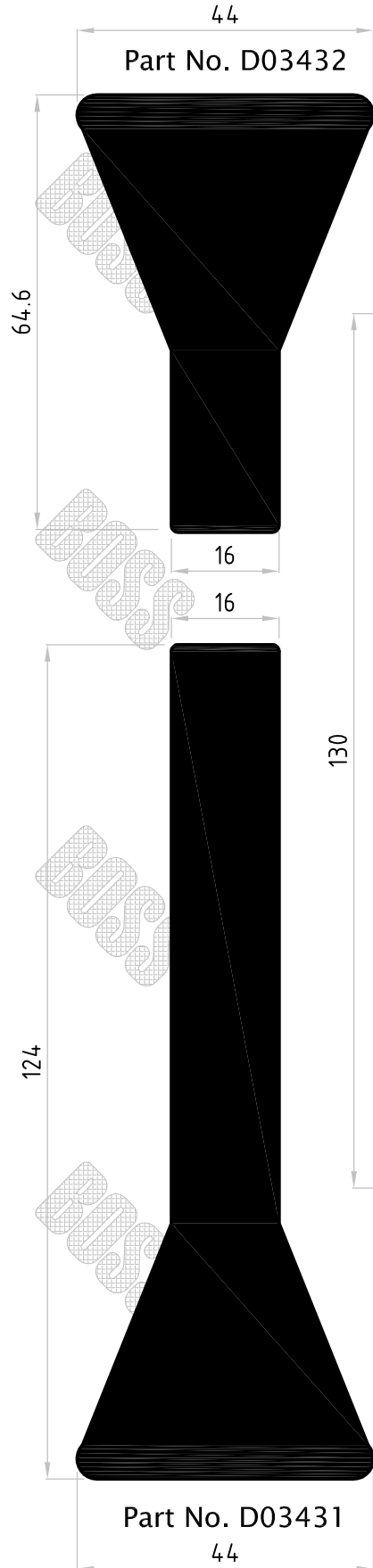
Part No. D03612

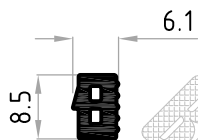


Part No. D00687

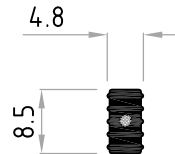
* Profile drawings appearing in this section are indicative only. some profiles may be restricted to specific customers, patents and or other limitations, The material displayed on this page may not be reprinted or otherwise reproduced without the express written permission of Boss Polymer Technologies.

BOSS POLYMER TECHNOLOGIES PTY LTD
Melbourne Australia
PH: (613) 9561 2777
FAX: (613) 9560 8777
www.bosspolymer.com.au
E-MAIL: sales@bosspolymer.com.au

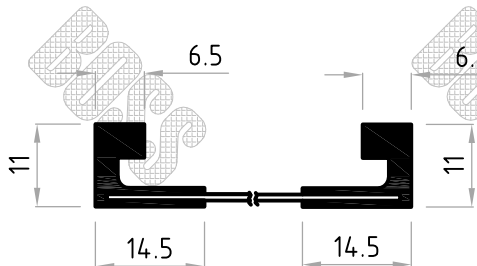




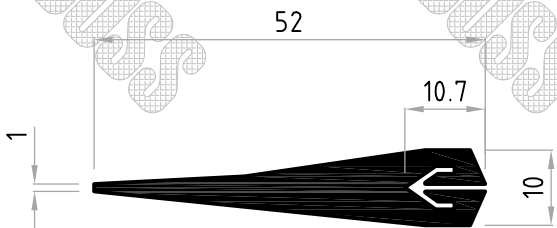
Part No. D03320



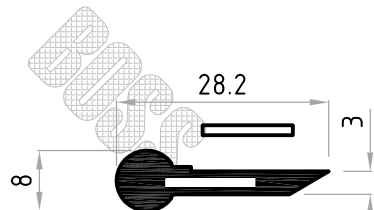
Part No. D03405



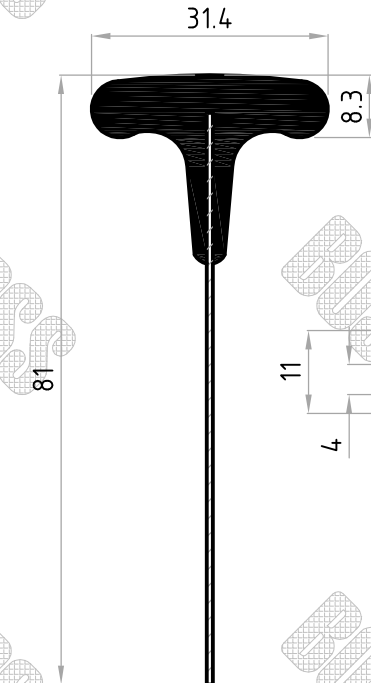
Part No. D00336
WITH FABRIC
INSERT



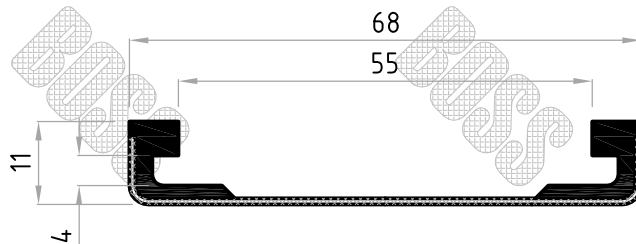
Part No. D02379



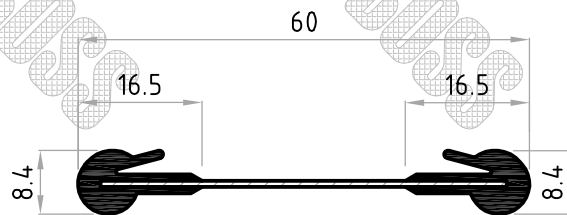
Part No. D02372
WITH HARD BACK
INSERT



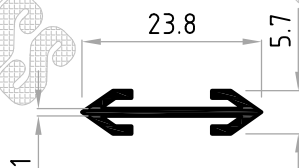
Part No. D02643
WITH FABRIC
INSERT



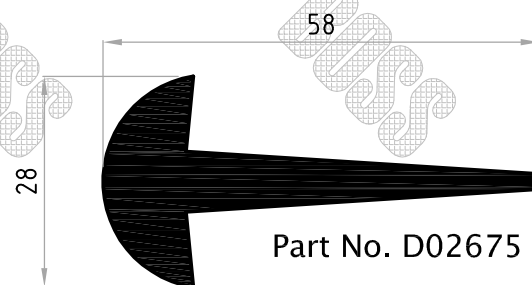
Part No. D03392
WITH FABRIC
INSERT



Part No. D02901
WITH FABRIC
INSERT



Part No. D02378



Part No. D02675

* Profile drawings appearing in this section are indicative only. some profiles may be restricted to specific customers, patents and or other limitations, The material displayed on this page may not be reprinted or otherwise reproduced without the express written permission of Boss Polymer Technologies.