

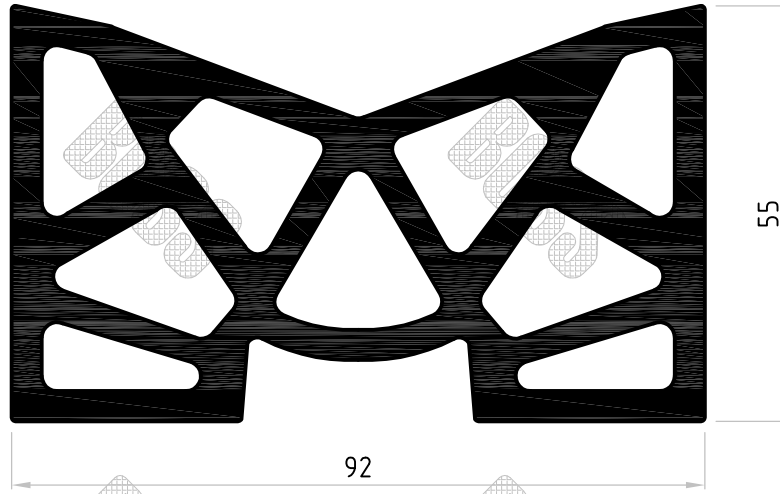
# Construction Extrusions



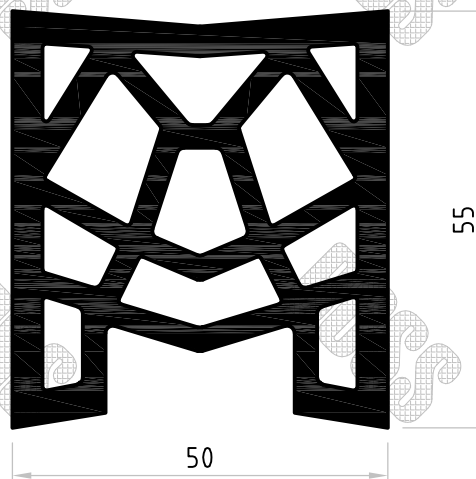
## Contents

### **Construction Extrusions**

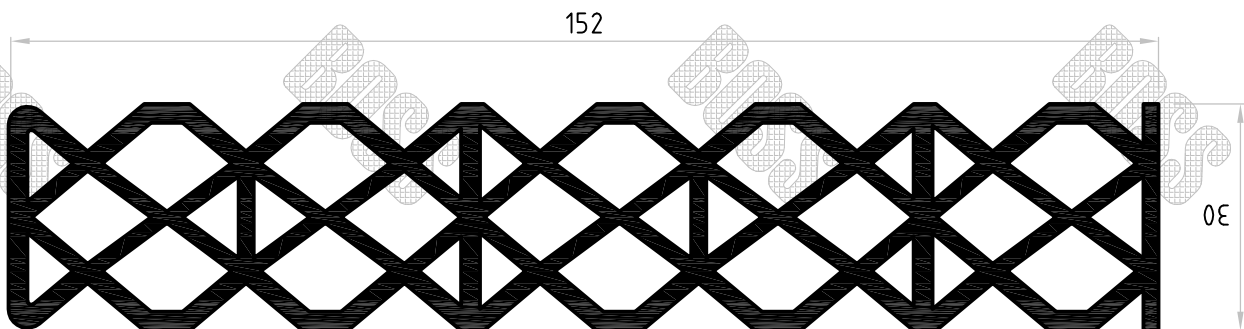
3.1.0	Compression Seals
3.2.0	Expansion Joints
3.3.0	Control Joints
3.4.0	Noise wall Gaskets – FinSeal
3.4.0	Noise wall Gaskets – For Acrylic Sheet
3.5.0	Weather-strip seals
3.6.0	Miscellaneous Civil & Construction
3.7.0	Glazing
3.7.1	Glazing - H Type & Locking Key
3.8.0	Construction door seals
3.9.0	Water / Irrigation
3.10.0	Water Stop Seals
3.11.0	Marine / Docking



Part No. SK-2701T



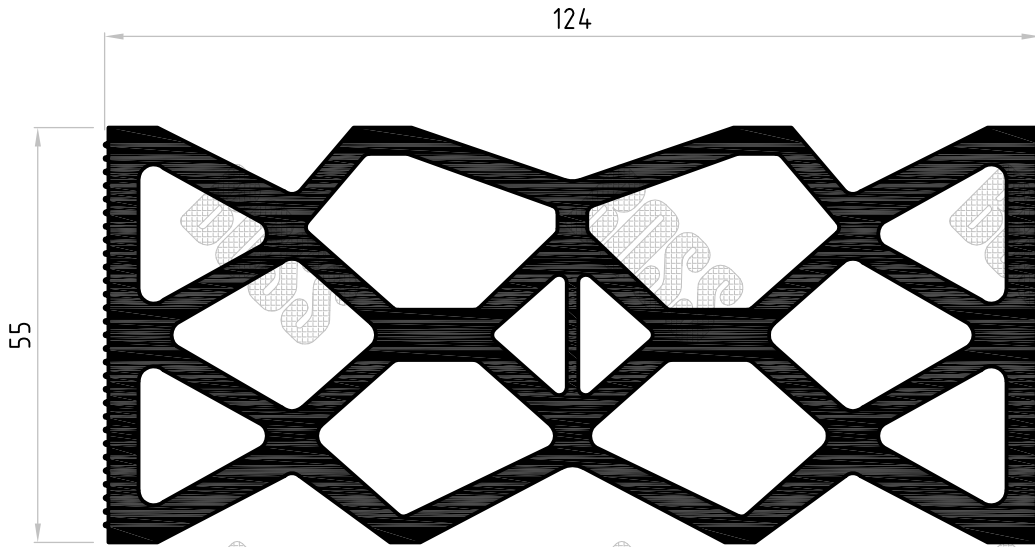
Part No. SK-2701S



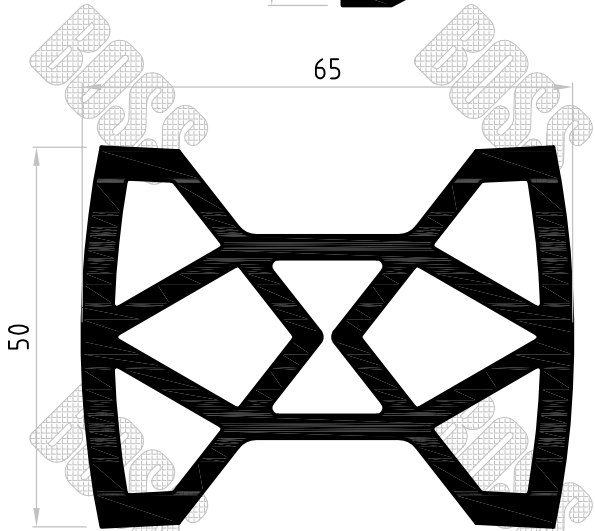
Part No. D02417

\* Profile drawings appearing in this section are indicative only. some profiles may be restricted to specific customers, patents and or other limitations, The material displayed on this page may not be reprinted or otherwise reproduced without the express written permission of Boss Polymer Technologies.

BOSS POLYMER TECHNOLOGIES PTY LTD  
Melbourne Australia  
PH: (613) 9561 2777  
FAX: (613) 9560 8777  
www.bosspolymer.com.au  
E-MAIL: sales@bosspolymer.com.au



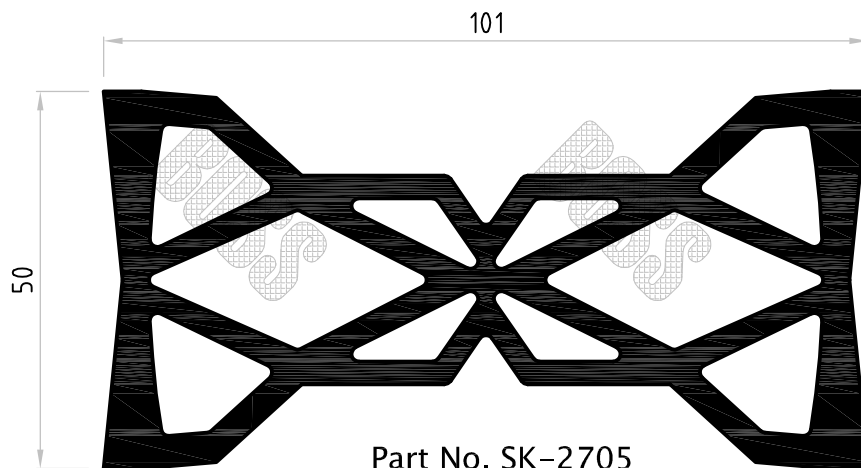
Part No. SK-2702



Part No. SK-2703T



Part No. SK-2703K

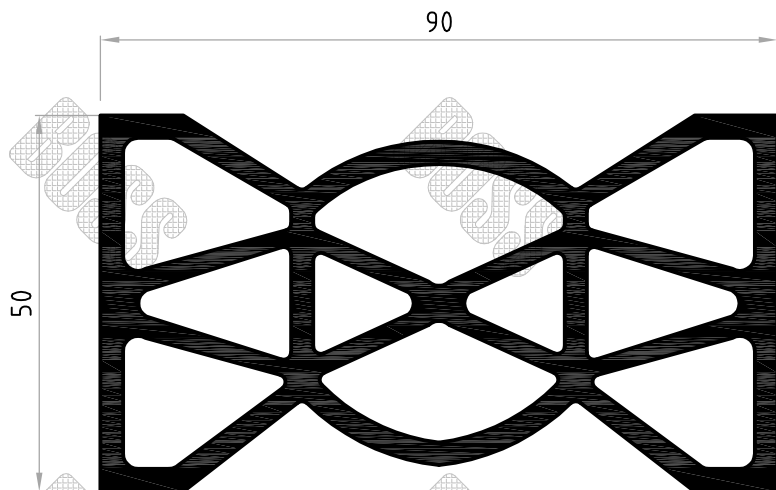


Part No. SK-2705

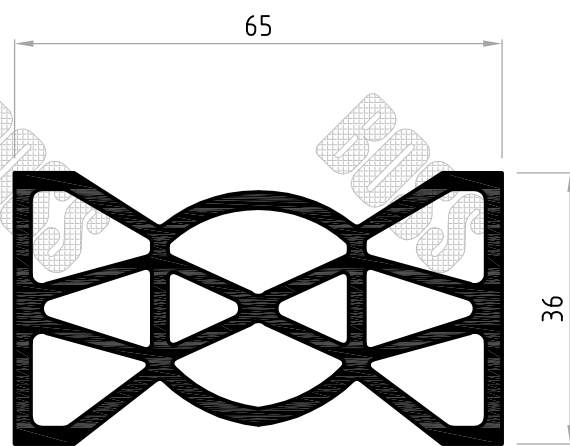
\* Profile drawings appearing in this section are indicative only. some profiles may be restricted to specific customers, patents and or other limitations, The material displayed on this page may not be reprinted or otherwise reproduced without the express written permission of Boss Polymer Technologies.

BOSS POLYMER TECHNOLOGIES PTY LTD  
Melbourne Australia  
PH: (613) 9561 2777  
FAX: (613) 9560 8777  
www.bosspolymer.com.au  
E-MAIL: sales@bosspolymer.com.au

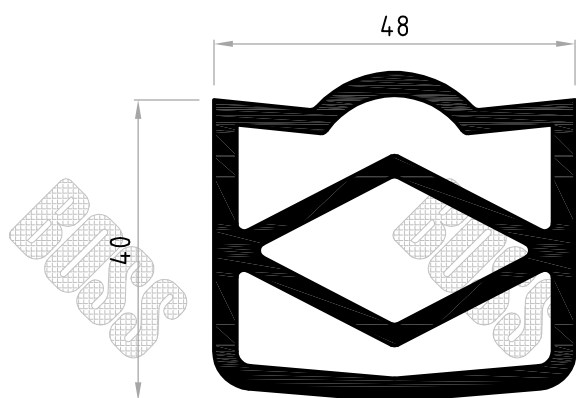




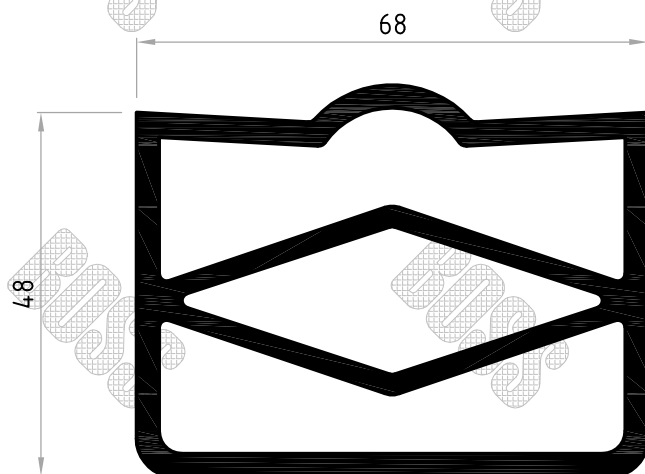
Part No. SK-2706



Part No. SK-2710



Part No. SK-2707T

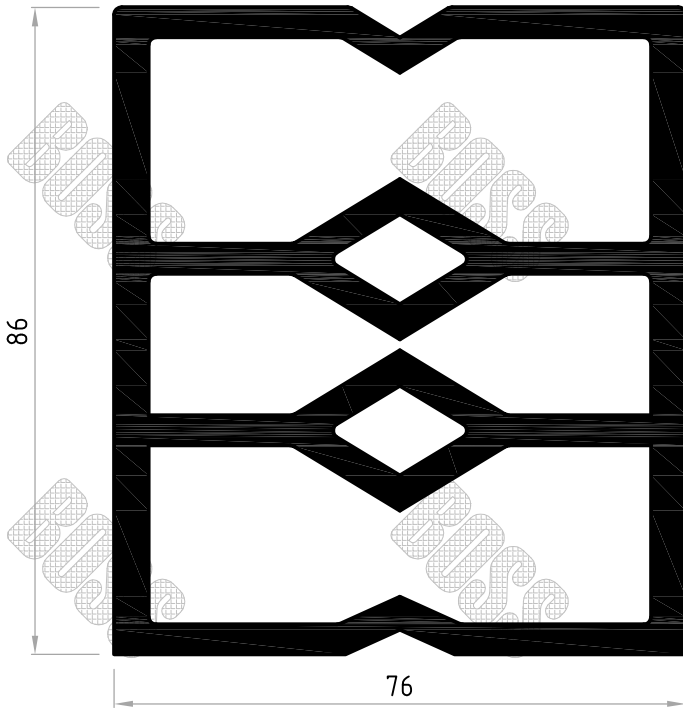


Part No. SK-2708S

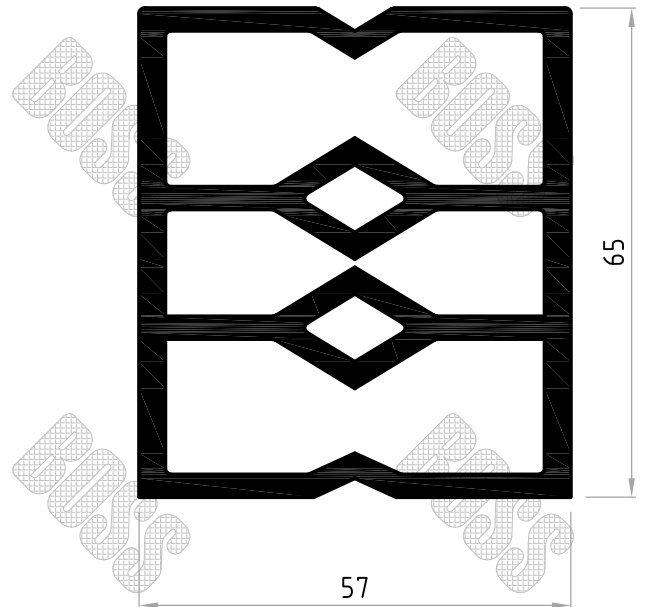
NOTE:- SOME PROFILES APPEARING ON THIS PAGE  
HAVE BEEN ALTERED TO PROTECT CLIENT CONFIDENTIALITY

\* Profile drawings appearing in this section are indicative only. some profiles may be restricted to specific customers, patents and or other limitations, The material displayed on this page may not be reprinted or otherwise reproduced without the express written permission of Boss Polymer Technologies.

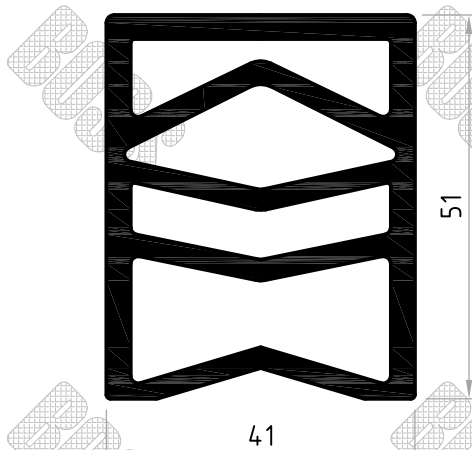
BOSS POLYMER TECHNOLOGIES PTY LTD  
Melbourne Australia  
PH: (613) 9561 2777  
FAX: (613) 9560 8777  
www.bosspolymer.com.au  
E-MAIL: sales@bosspolymer.com.au



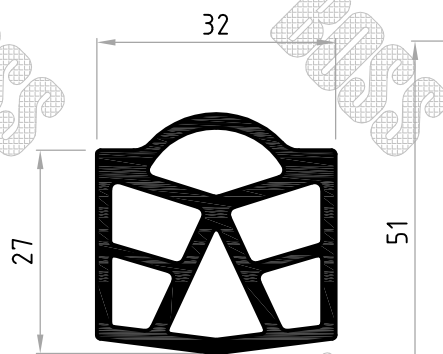
Part No. SK-2712S



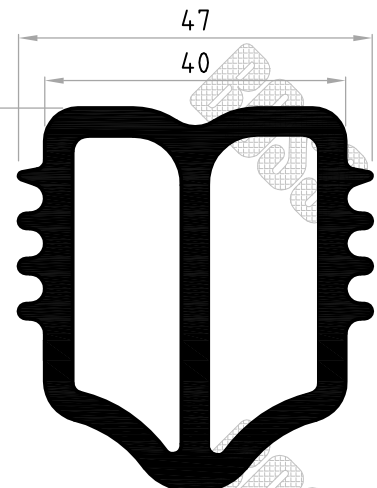
Part No. SK-2712T



Part No. SK-2715



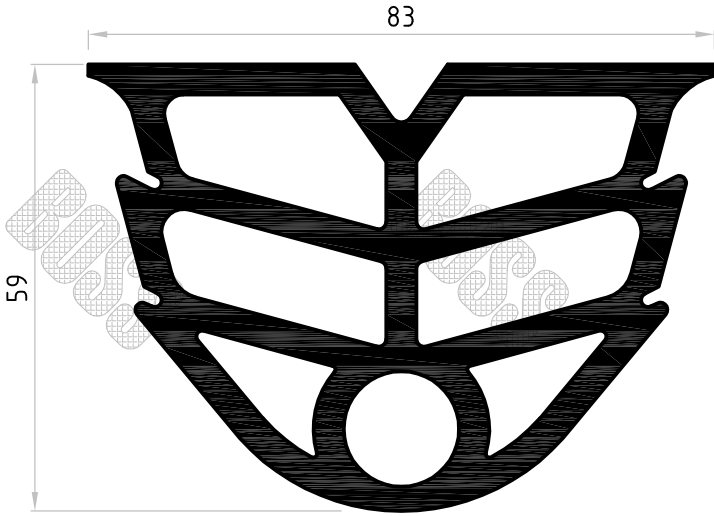
Part No. SK-2718



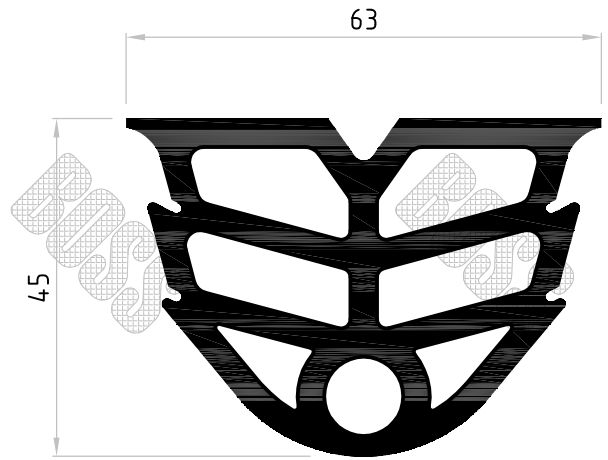
Part No. D03378

NOTE:- SOME PROFILES APPEARING ON THIS PAGE  
HAVE BEEN ALTERED TO PROTECT CLIENT CONFIDENTIALITY

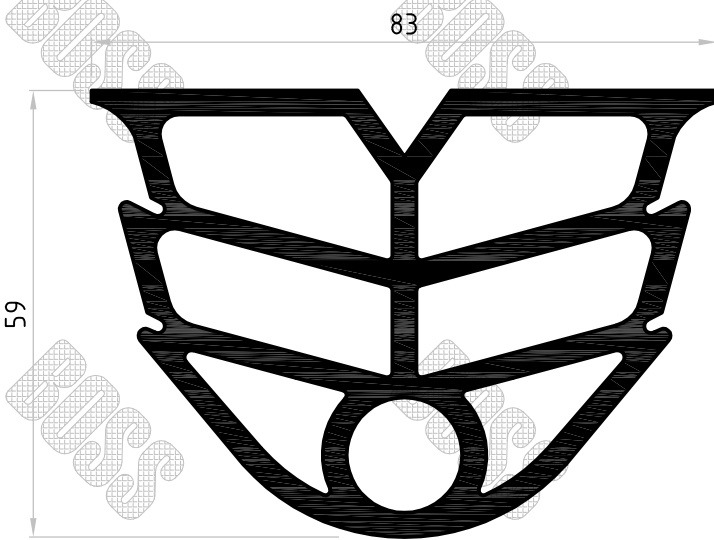
\* Profile drawings appearing in this section are indicative only. some profiles may be restricted to specific customers, patents and or other limitations, The material displayed on this page may not be reprinted or otherwise reproduced without the express written permission of Boss Polymer Technologies.



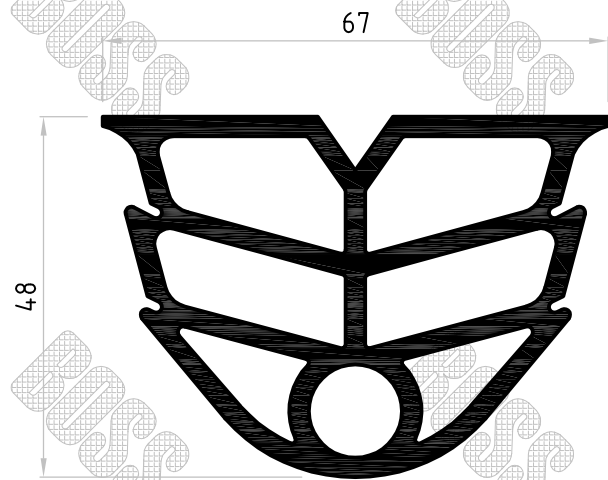
Part No. D03154



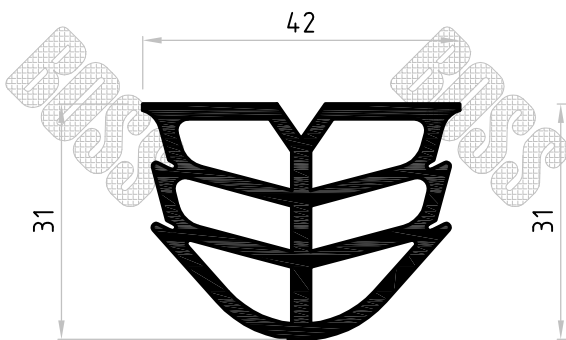
Part No. D03153



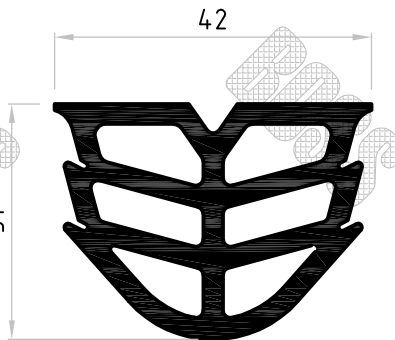
Part No. D00259



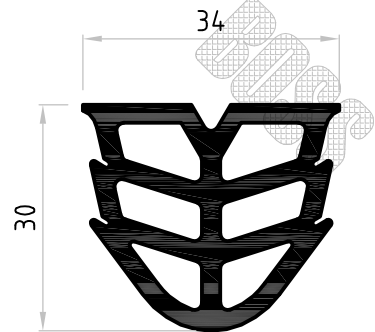
Part No. D00843  
Part No. D00261  
Part No. D00262  
Part No. D00844  
Part No. D02309



Part No. D02136  
Part No. D02308



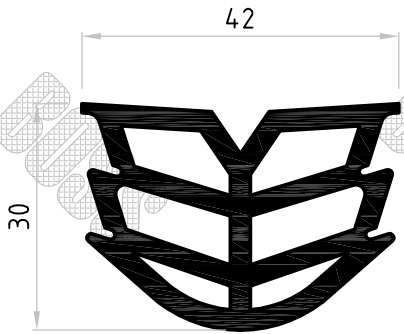
Part No. D03152



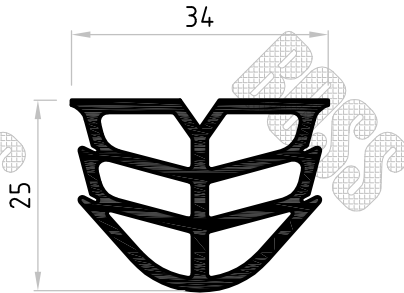
Part No. D03151

\* Profile drawings appearing in this section are indicative only. some profiles may be restricted to specific customers, patents and or other limitations. The material displayed on this page may not be reprinted or otherwise reproduced without the express written permission of Boss Polymer Technologies.

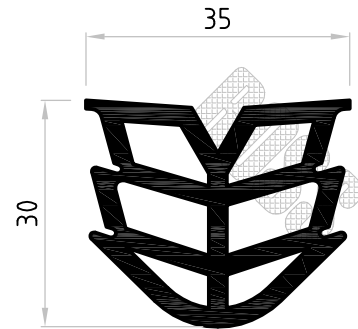
BOSS POLYMER TECHNOLOGIES PTY LTD  
Melbourne Australia  
PH: (613) 9561 2777  
FAX: (613) 9560 8777  
www.bosspolymer.com.au  
E-MAIL: sales@bosspolymer.com.au



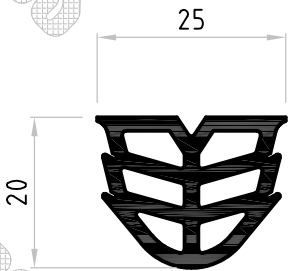
Part No. D00263



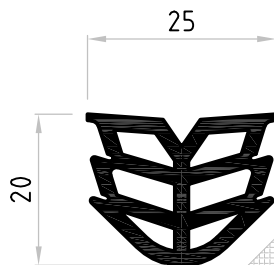
Part No. D00655-A



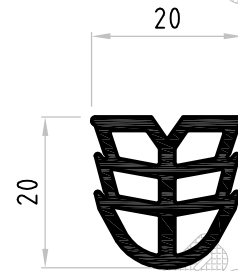
Part No. D00655-B



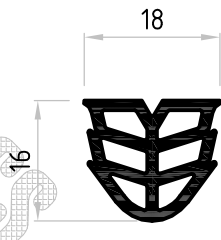
Part No. D03150



Part No. D03140



Part No. D02338

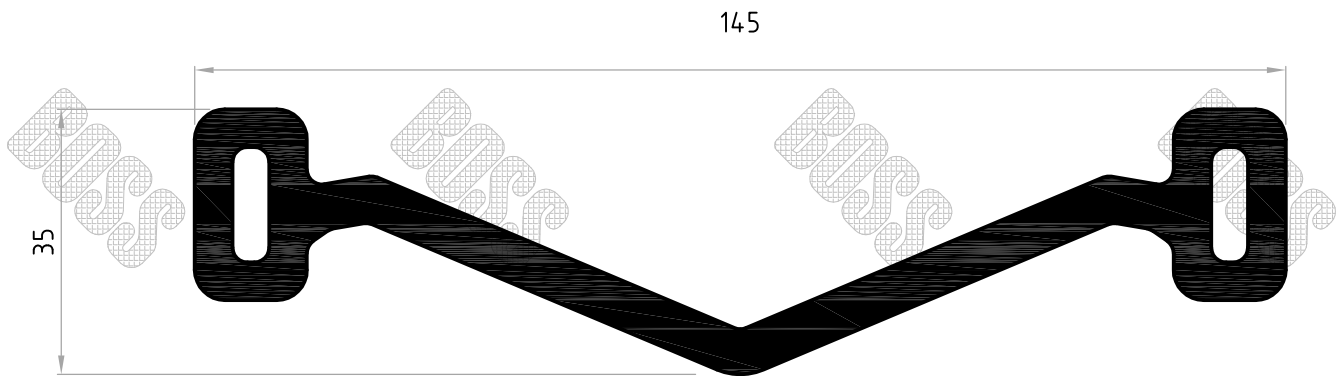


Part No. D03149

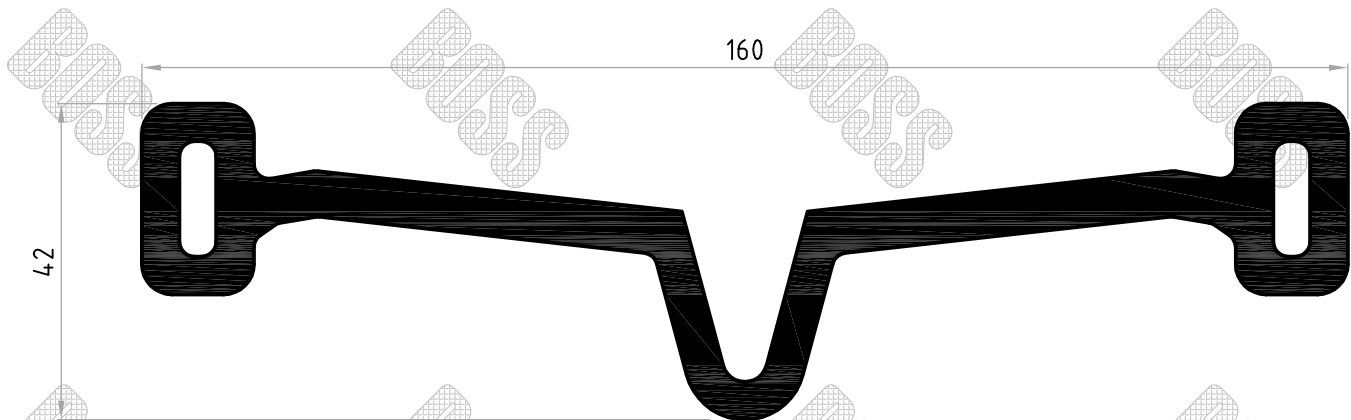
Part No. D03286

\* Profile drawings appearing in this section are indicative only. some profiles may be restricted to specific customers, patents and or other limitations, The material displayed on this page may not be reprinted or otherwise reproduced without the express written permission of Boss Polymer Technologies.

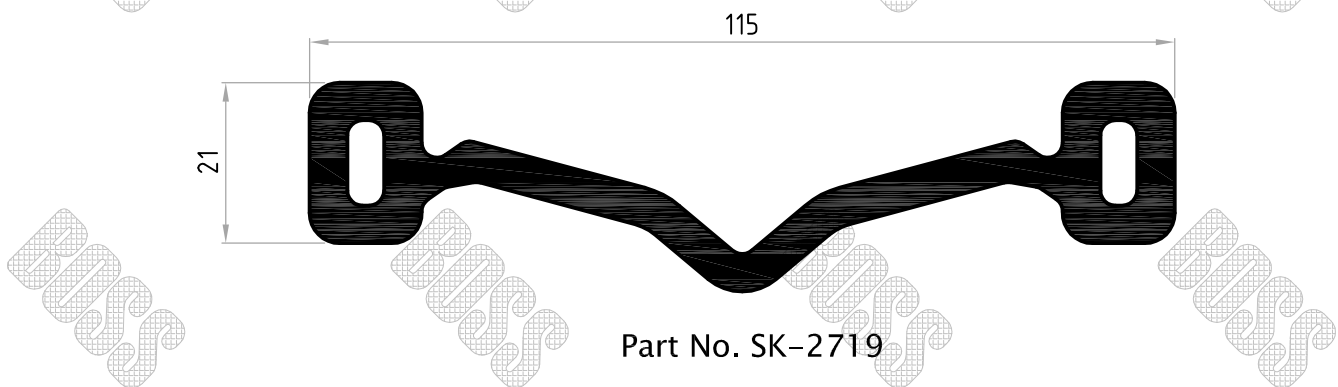
BOSS POLYMER TECHNOLOGIES PTY LTD  
Melbourne Australia  
PH: (613) 9561 2777  
FAX: (613) 9560 8777  
www.bosspolymer.com.au  
E-MAIL: sales@bosspolymer.com.au



Part No. SK-2720



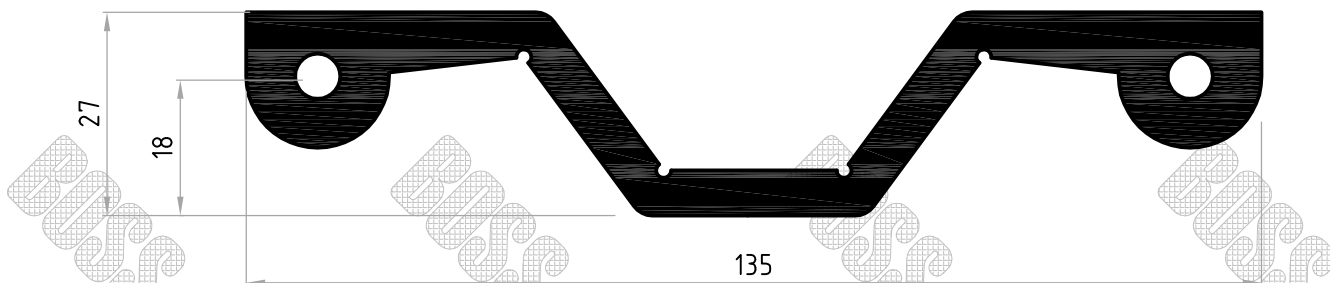
Part No. SK-2721



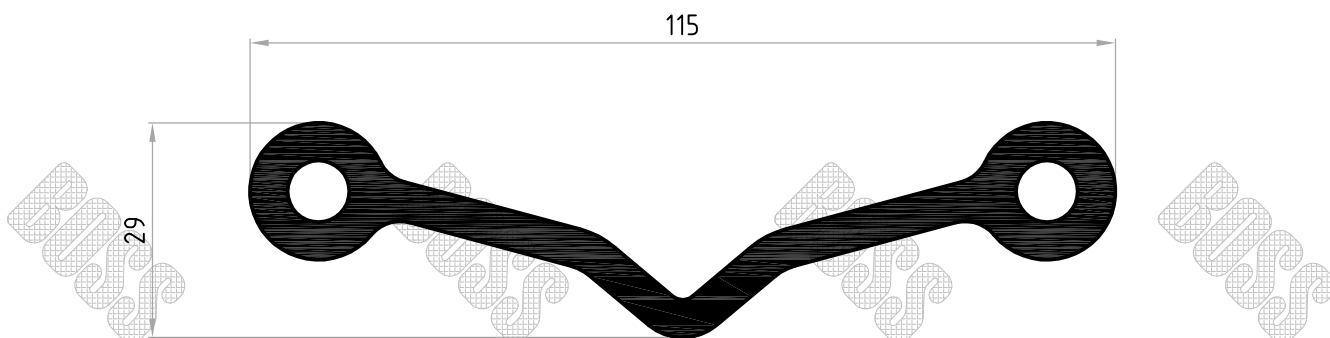
Part No. SK-2719

NOTE:- SOME PROFILES APPEARING ON THIS PAGE  
HAVE BEEN ALTERED TO PROTECT CLIENT CONFIDENTIALITY

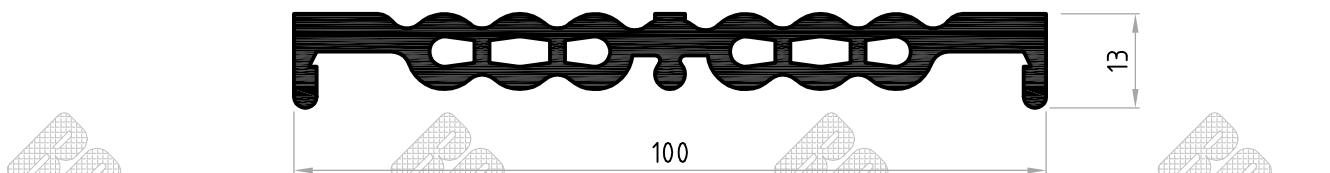
\* Profile drawings appearing in this section are indicative only. some profiles may be restricted to specific customers, patents and or other limitations, The material displayed on this page may not be reprinted or otherwise reproduced without the express written permission of Boss Polymer Technologies.



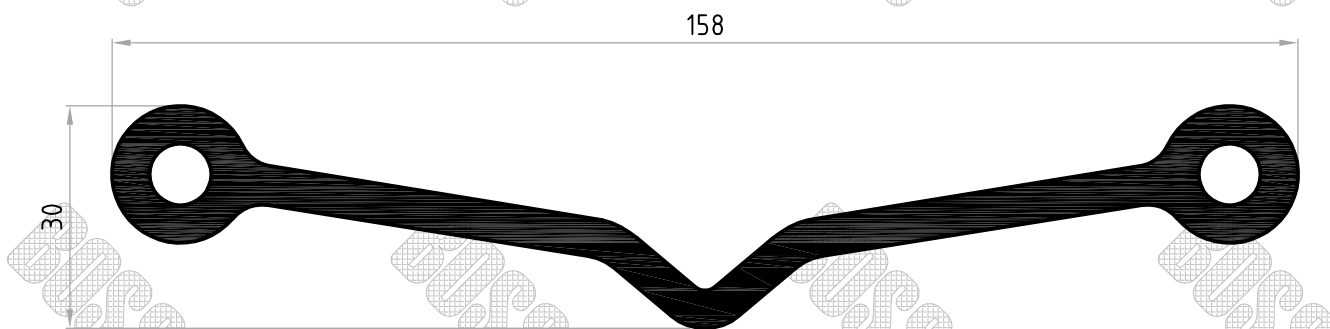
Part No. D02629



Part No. SK-2722S



Part No. D02500

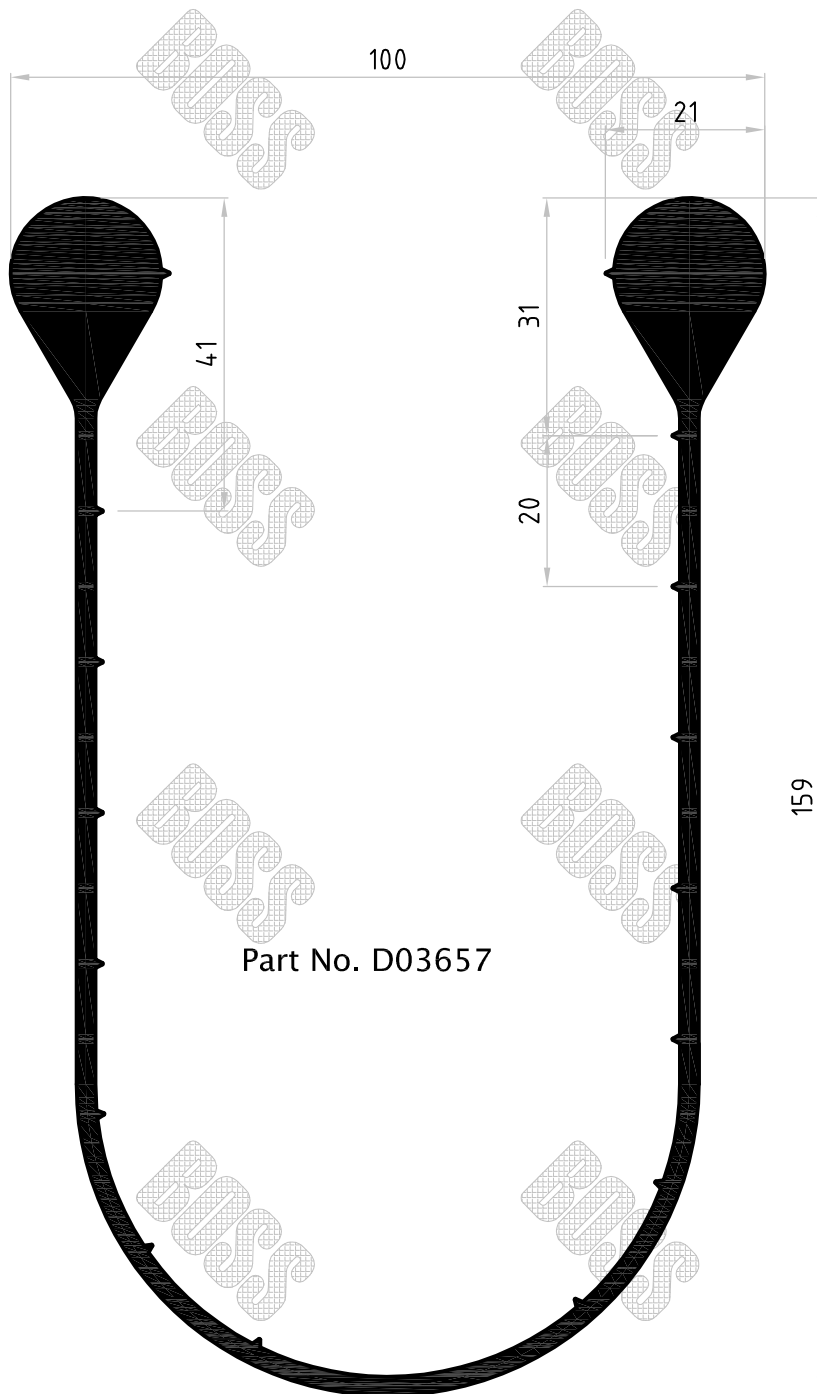


Part No. SK-2722W

**NOTE:- SOME PROFILES APPEARING ON THIS PAGE  
HAVE BEEN ALTERED TO PROTECT CLIENT CONFIDENTIALITY**

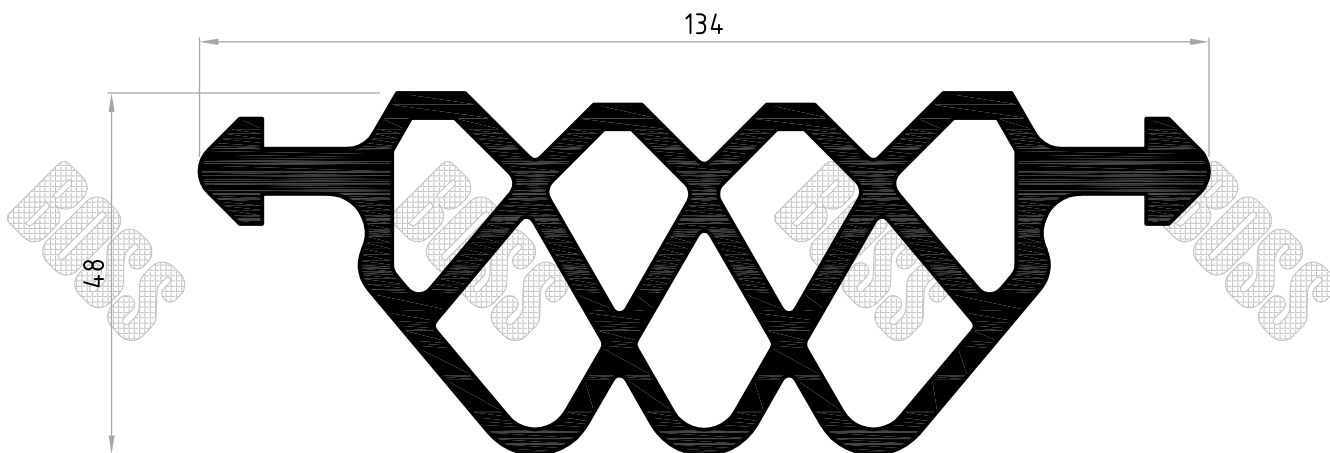
\* Profile drawings appearing in this section are indicative only. some profiles may be restricted to specific customers, patents and or other limitations, The material displayed on this page may not be reprinted or otherwise reproduced without the express written permission of Boss Polymer Technologies.



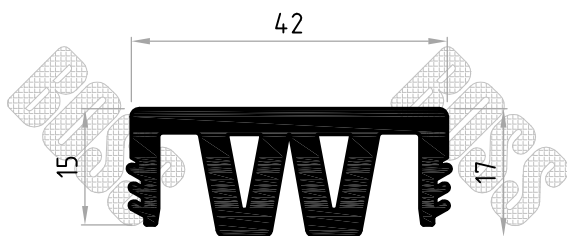


Part No. D03657

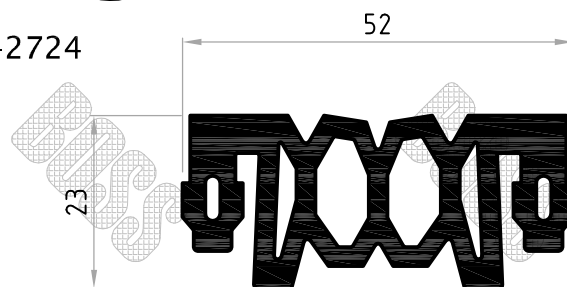
\* Profile drawings appearing in this section are indicative only. some profiles may be restricted to specific customers, patents and or other limitations, The material displayed on this page may not be reprinted or otherwise reproduced without the express written permission of Boss Polymer Technologies.



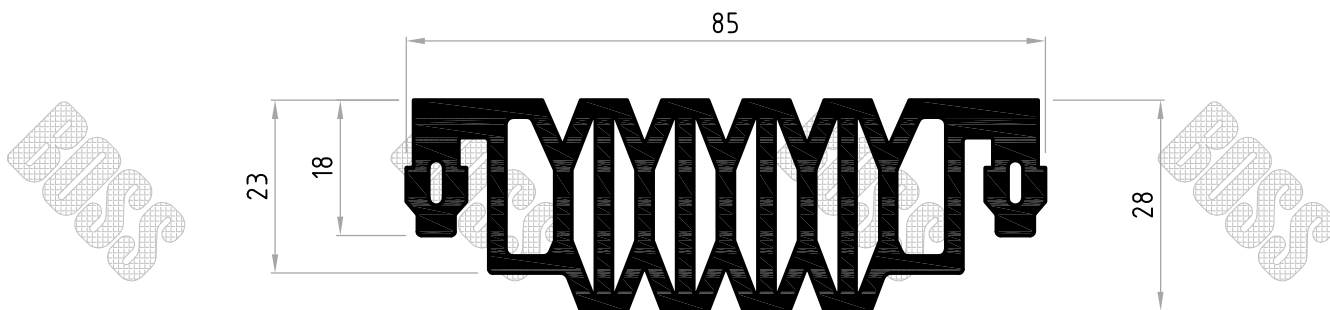
Part No. SK-2724



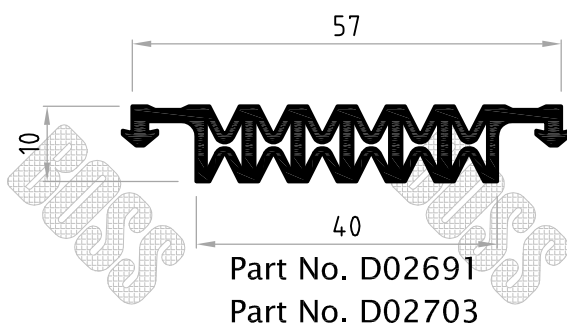
Part No. D03588



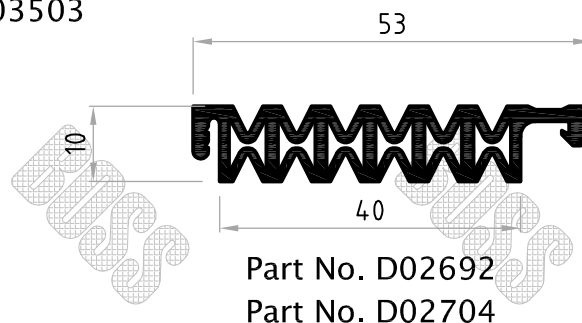
Part No. D02932



Part No. D03503



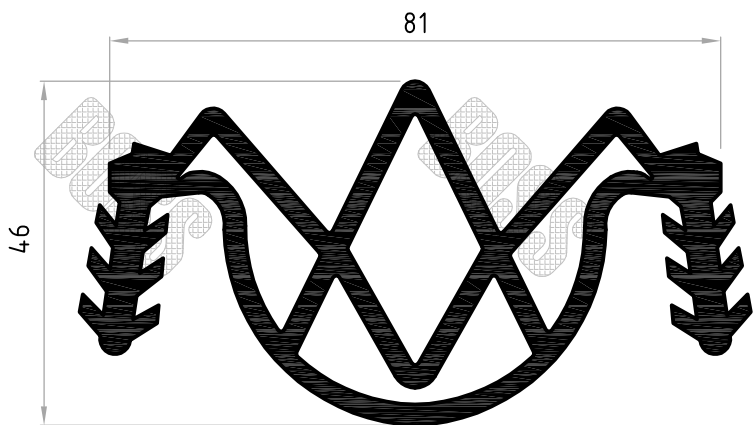
Part No. D02691  
Part No. D02703



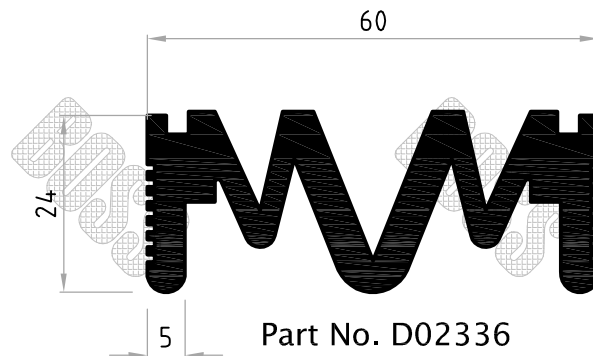
Part No. D02692  
Part No. D02704

NOTE:- SOME PROFILES APPEARING ON THIS PAGE  
HAVE BEEN ALTERED TO PROTECT CLIENT CONFIDENTIALITY

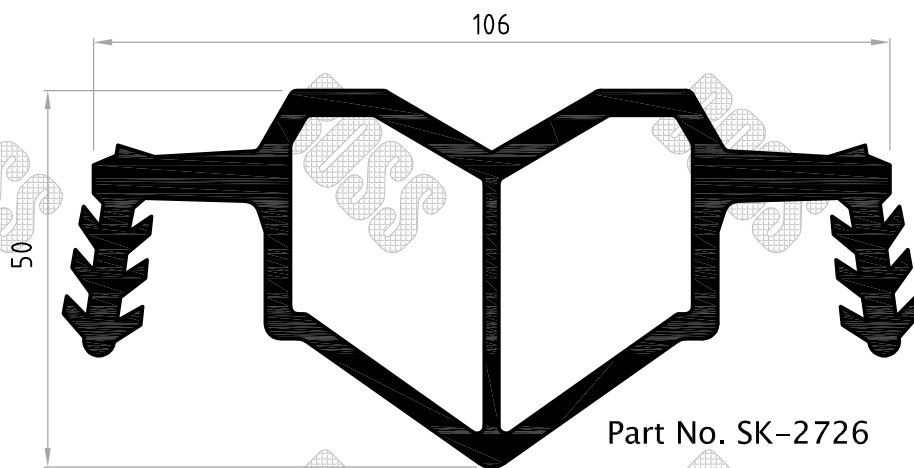
\* Profile drawings appearing in this section are indicative only. some profiles may be restricted to specific customers, patents and or other limitations, The material displayed on this page may not be reprinted or otherwise reproduced without the express written permission of Boss Polymer Technologies.



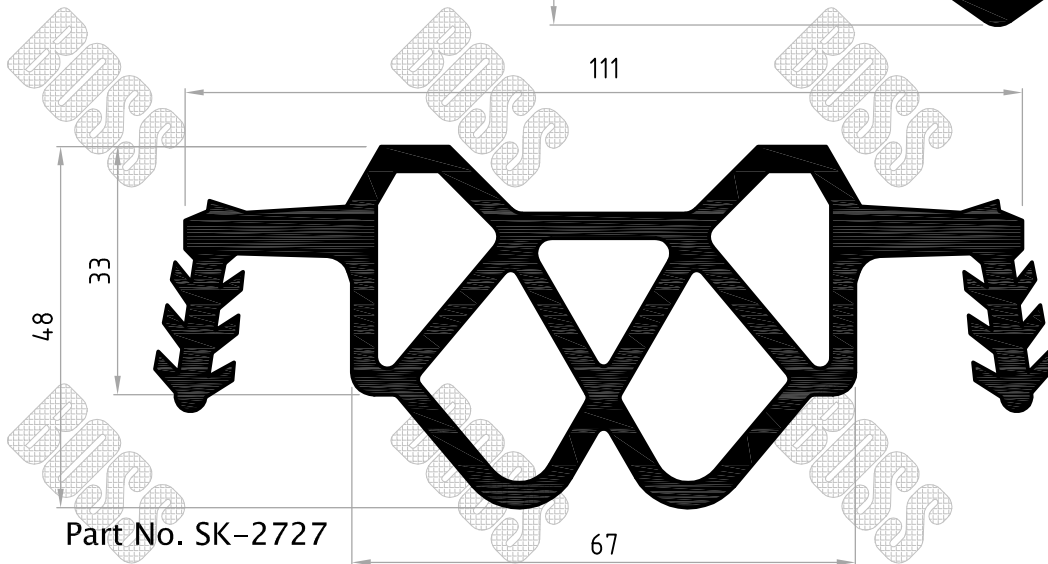
Part No. SK-2725



Part No. D02336



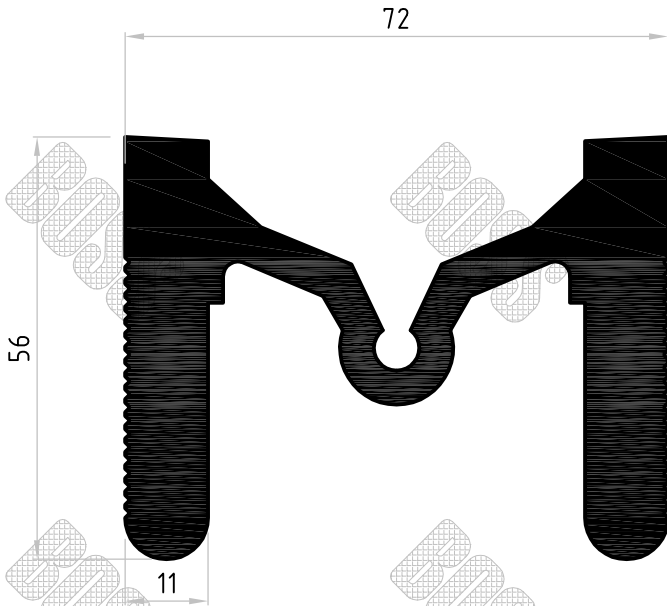
Part No. SK-2726



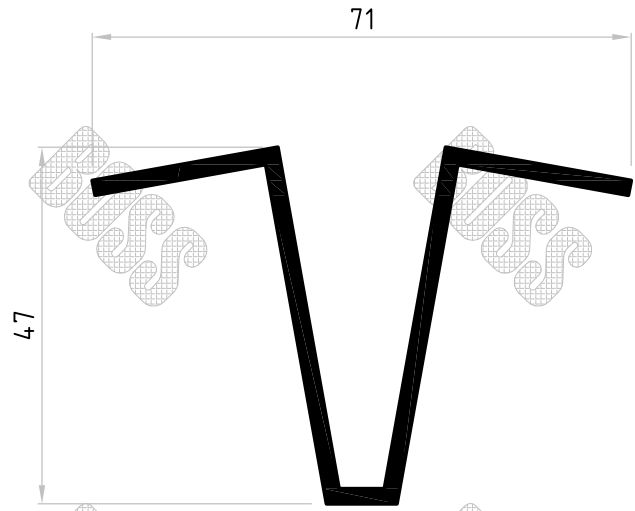
Part No. SK-2727

**NOTE:- SOME PROFILES APPEARING ON THIS PAGE  
HAVE BEEN ALTERED TO PROTECT CLIENT CONFIDENTIALITY**

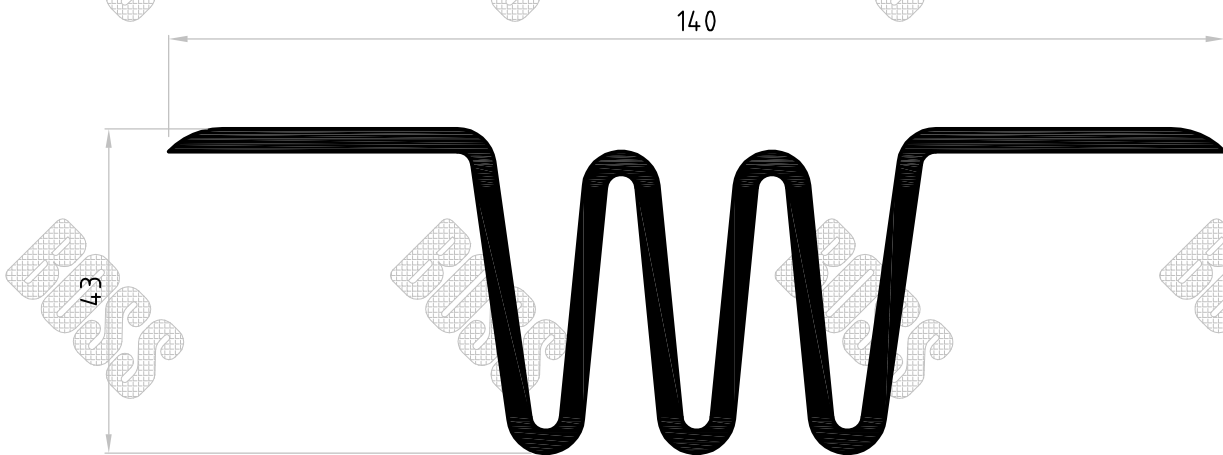
\* Profile drawings appearing in this section are indicative only. some profiles may be restricted to specific customers, patents and or other limitations, The material displayed on this page may not be reprinted or otherwise reproduced without the express written permission of Boss Polymer Technologies.



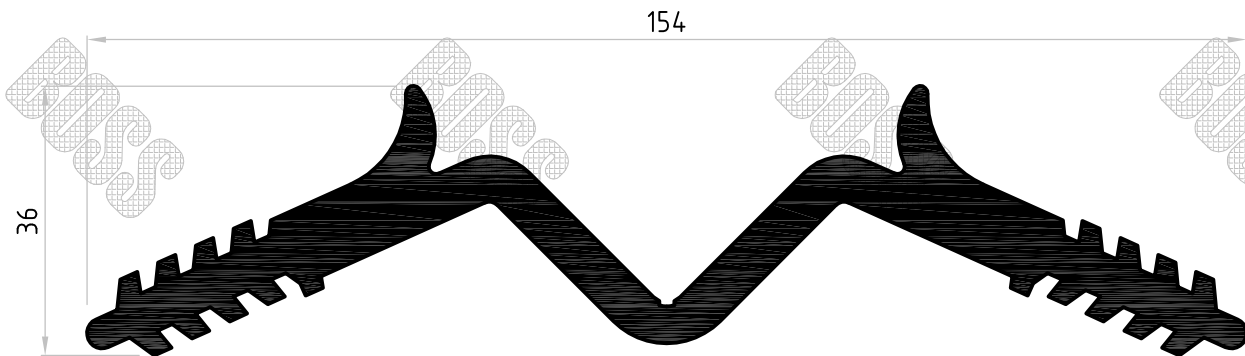
Part No. D02863



Part No. D02846



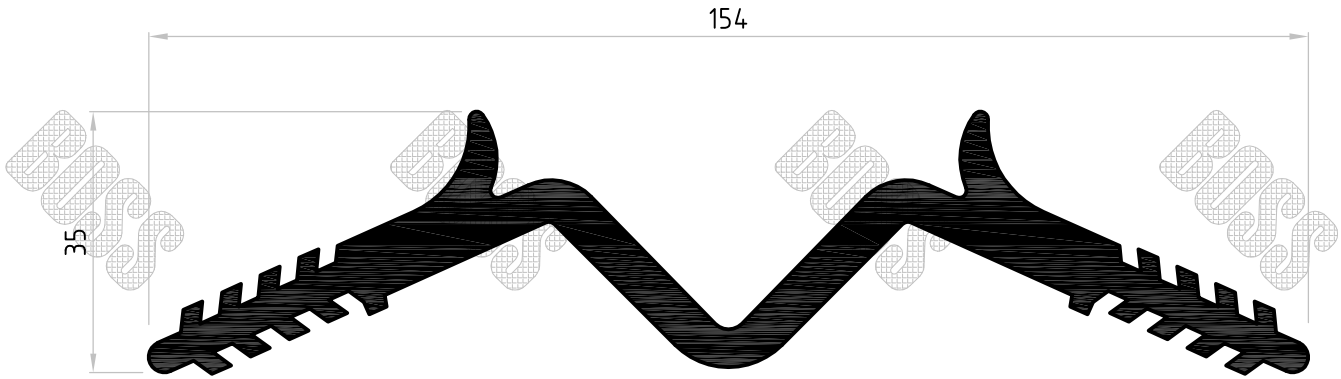
Part No. D02604



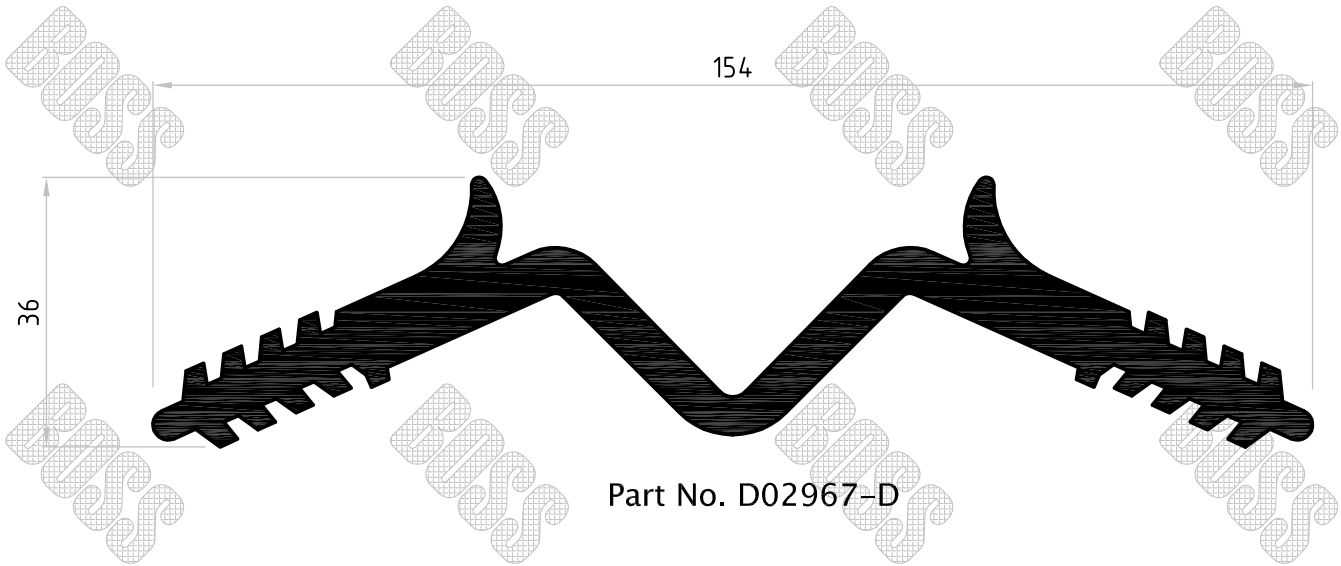
Part No. D02967

\* Profile drawings appearing in this section are indicative only. some profiles may be restricted to specific customers, patents and or other limitations, The material displayed on this page may not be reprinted or otherwise reproduced without the express written permission of Boss Polymer Technologies.

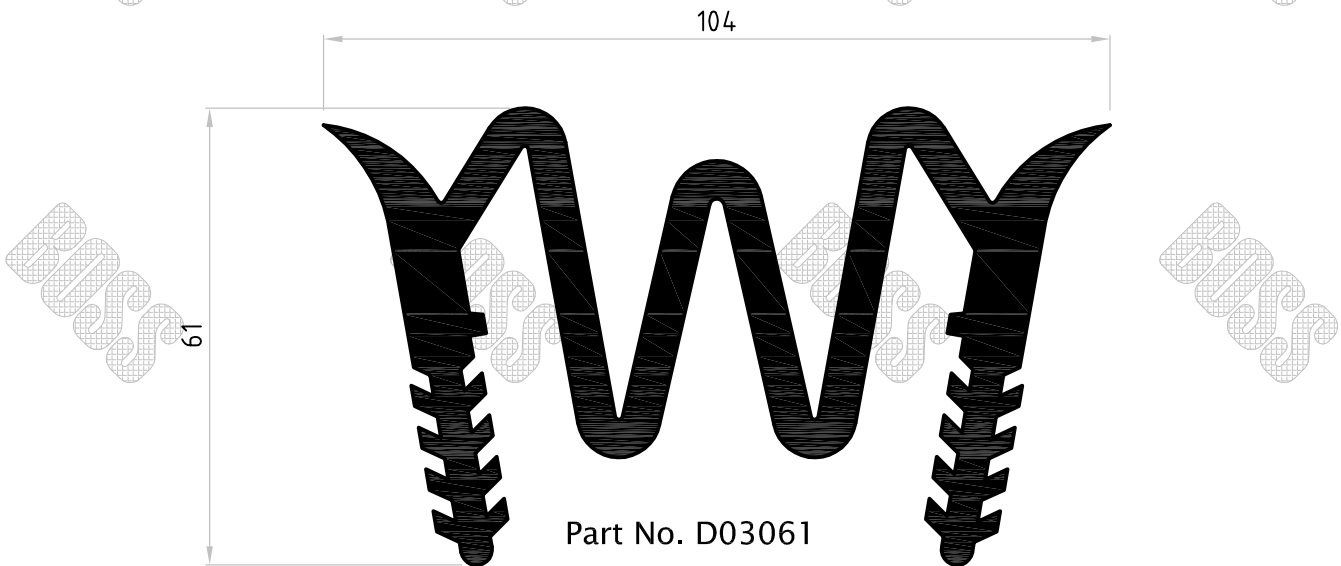
BOSS POLYMER TECHNOLOGIES PTY LTD  
Melbourne Australia  
PH: (613) 9561 2777  
FAX: (613) 9560 8777  
www.bosspolymer.com.au  
E-MAIL: sales@bosspolymer.com.au



Part No. D02988



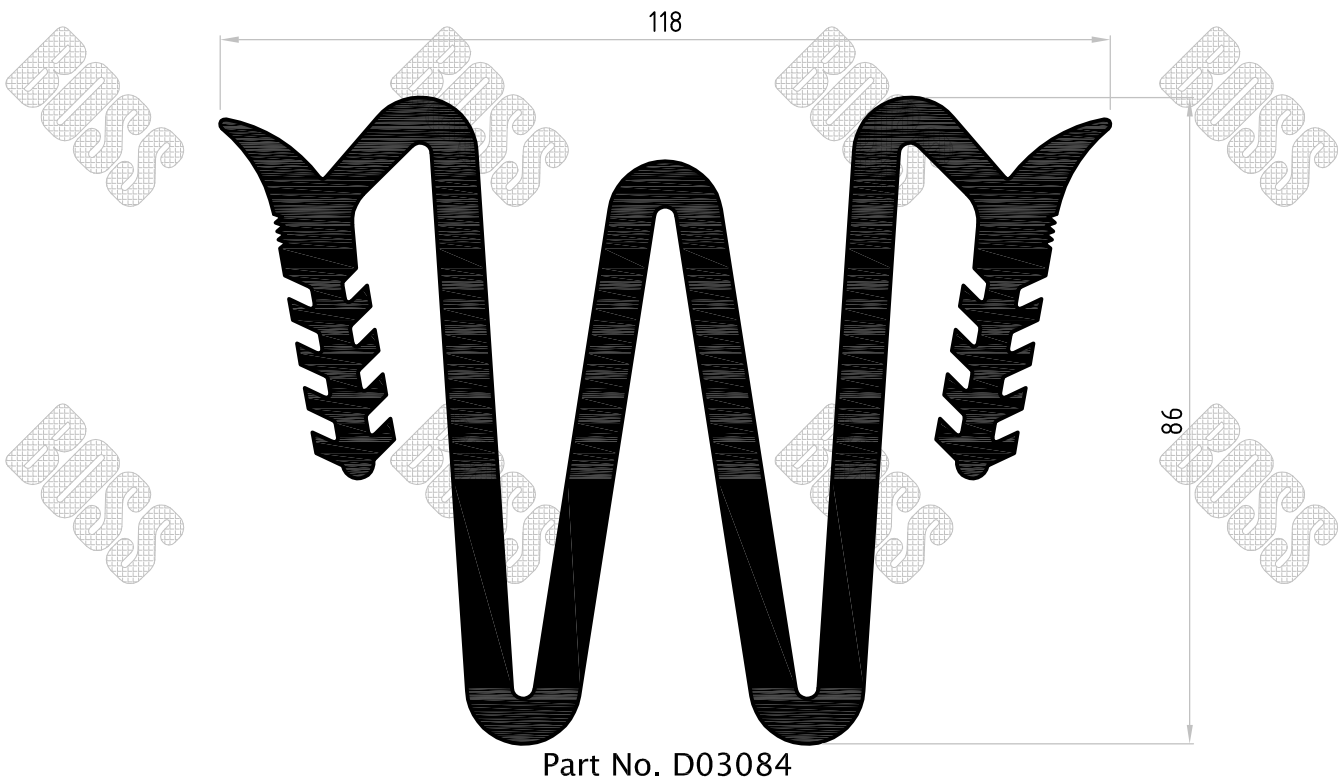
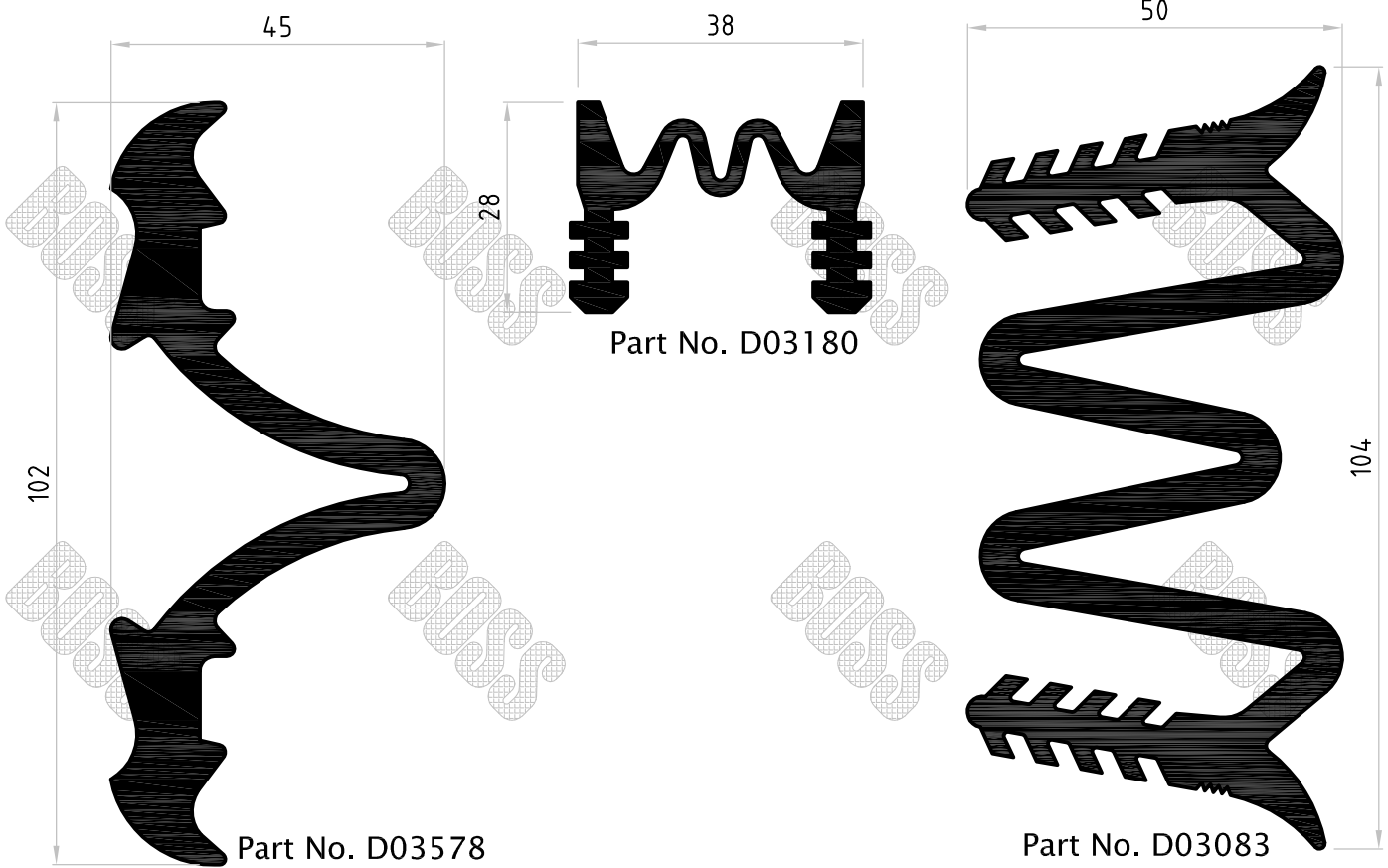
Part No. D02967-D



Part No. D03061

\* Profile drawings appearing in this section are indicative only. some profiles may be restricted to specific customers, patents and or other limitations, The material displayed on this page may not be reprinted or otherwise reproduced without the express written permission of Boss Polymer Technologies.

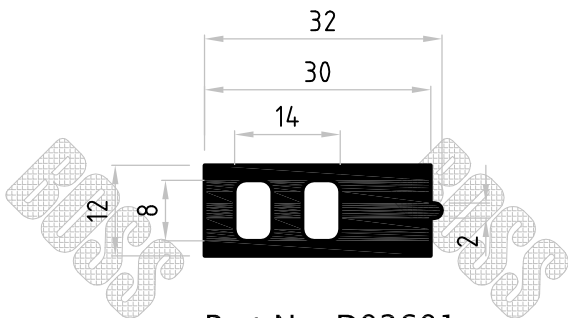
BOSS POLYMER TECHNOLOGIES PTY LTD  
Melbourne Australia  
PH: (613) 9561 2777  
FAX: (613) 9560 8777  
www.bosspolymer.com.au  
E-MAIL: sales@bosspolymer.com.au



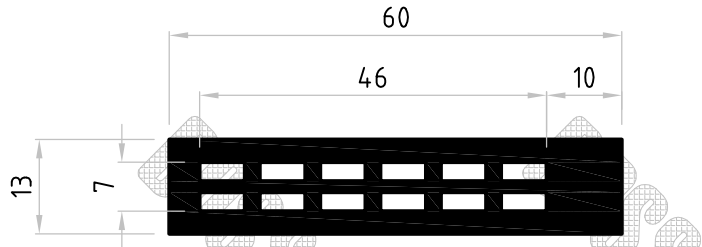
\* Profile drawings appearing in this section are indicative only. some profiles may be restricted to specific customers, patents and or other limitations, The material displayed on this page may not be reprinted or otherwise reproduced without the express written permission of Boss Polymer Technologies.

BOSS POLYMER TECHNOLOGIES PTY LTD  
Melbourne Australia  
PH: (613) 9561 2777  
FAX: (613) 9560 8777  
www.bosspolymer.com.au  
E-MAIL: sales@bosspolymer.com.au

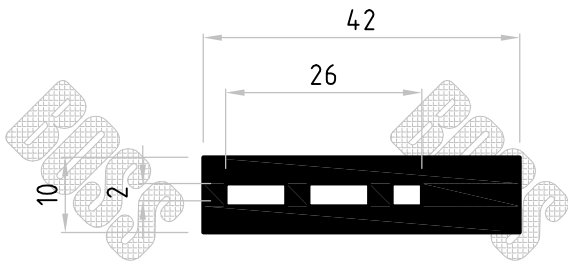




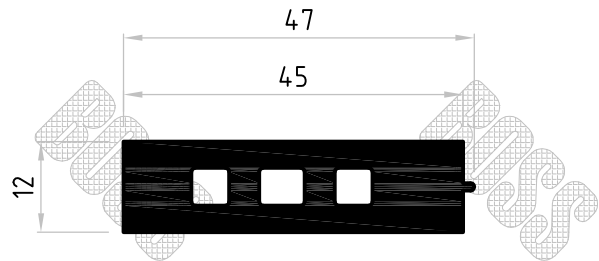
Part No. D02601  
Part No. D02597



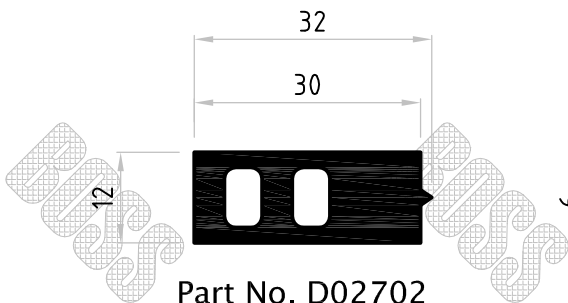
Part No. D01007



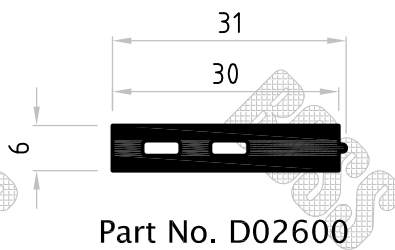
Part No. D02111



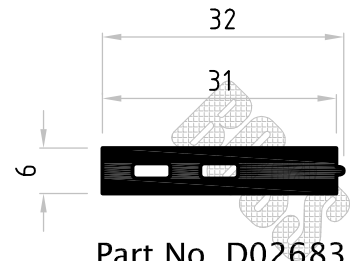
Part No. D02566



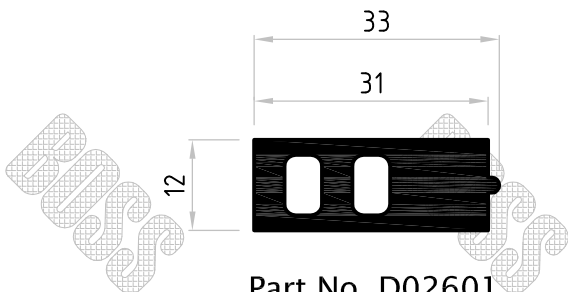
Part No. D02702



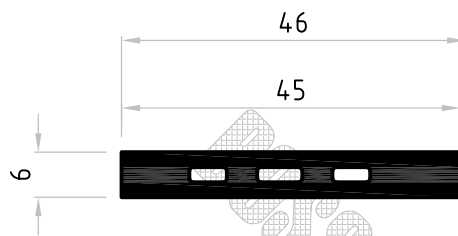
Part No. D02600



Part No. D02683



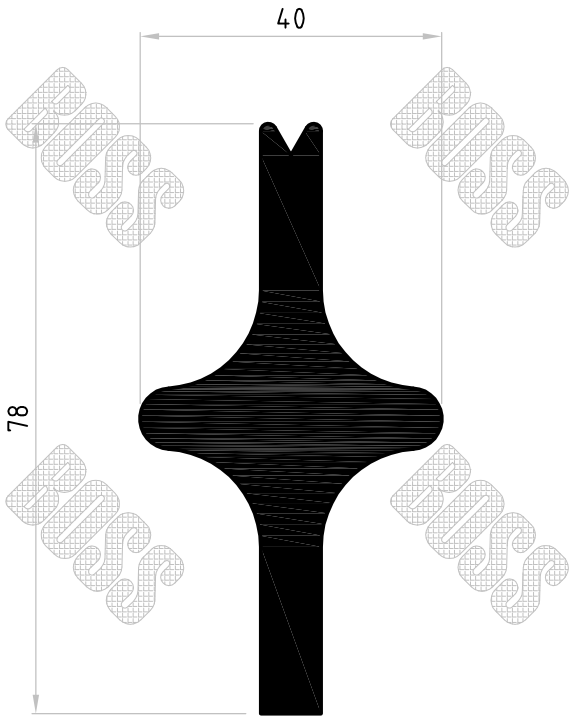
Part No. D02601  
Part No. D02684



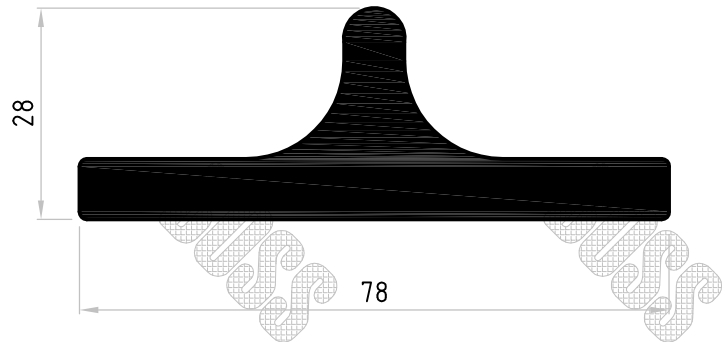
Part No. D02552

\* Profile drawings appearing in this section are indicative only. some profiles may be restricted to specific customers, patents and or other limitations, The material displayed on this page may not be reprinted or otherwise reproduced without the express written permission of Boss Polymer Technologies.

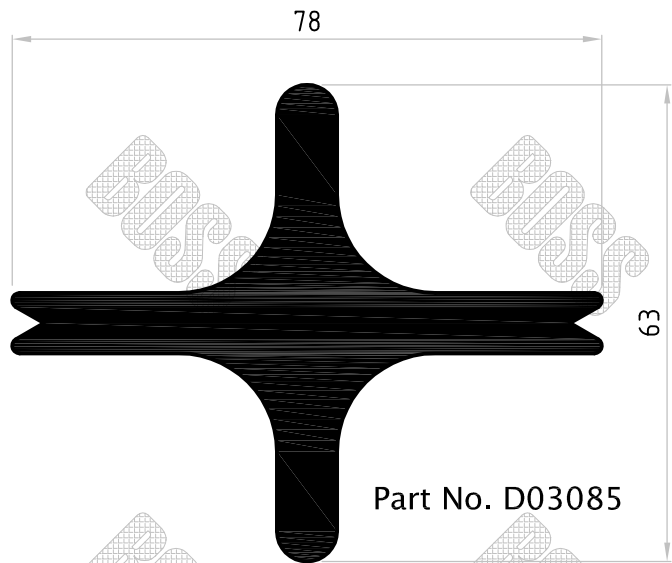
BOSS POLYMER TECHNOLOGIES PTY LTD  
Melbourne Australia  
PH: (613) 9561 2777  
FAX: (613) 9560 8777  
www.bosspolymer.com.au  
E-MAIL: sales@bosspolymer.com.au



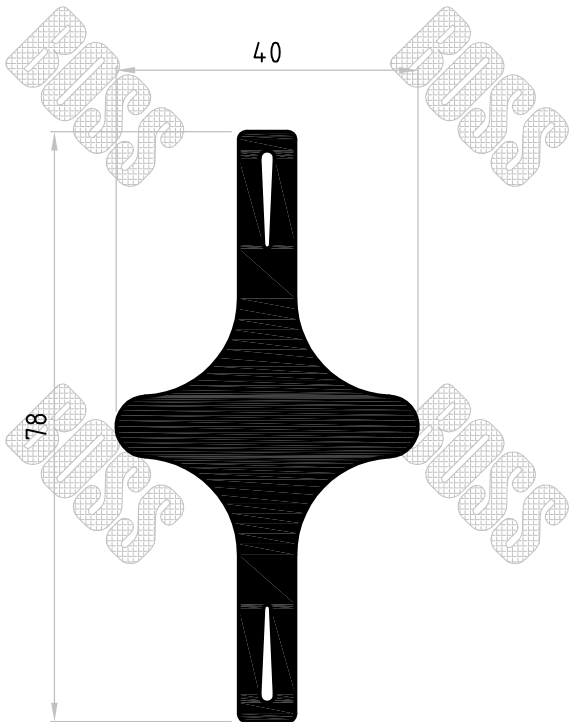
Part No. D03117



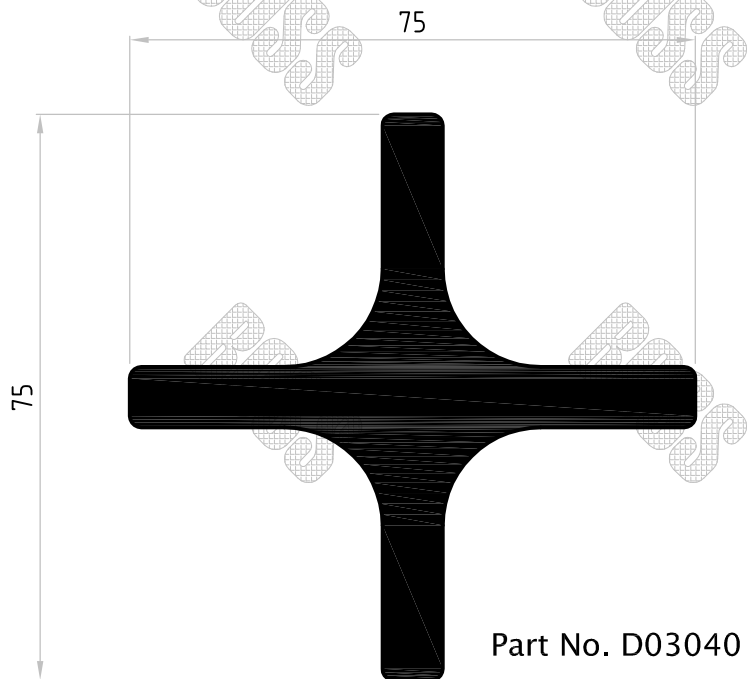
Part No. D03118



Part No. D03085



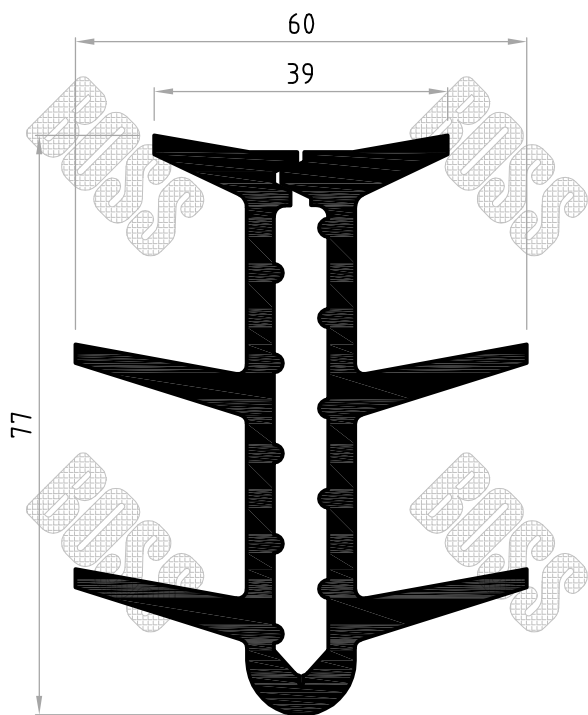
Part No. D03148



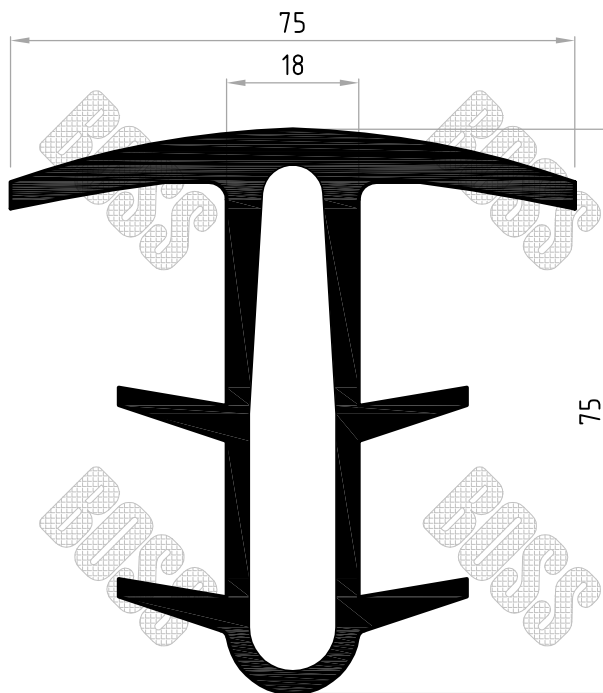
Part No. D03040

\* Profile drawings appearing in this section are indicative only. some profiles may be restricted to specific customers, patents and or other limitations. The material displayed on this page may not be reprinted or otherwise reproduced without the express written permission of Boss Polymer Technologies.

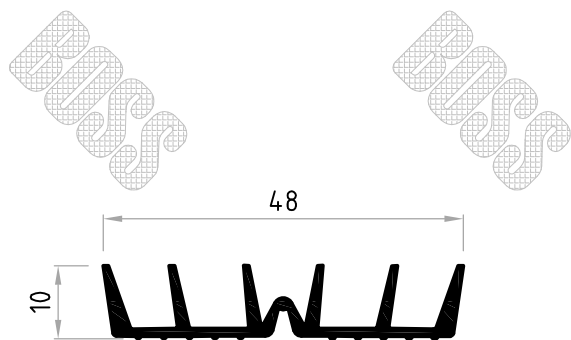
BOSS POLYMER TECHNOLOGIES PTY LTD  
Melbourne Australia  
PH: (613) 9561 2777  
FAX: (613) 9560 8777  
www.bosspolymer.com.au  
E-MAIL: sales@bosspolymer.com.au



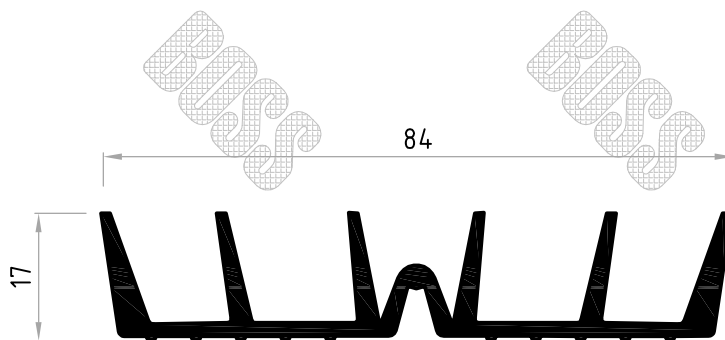
Part No. D03531



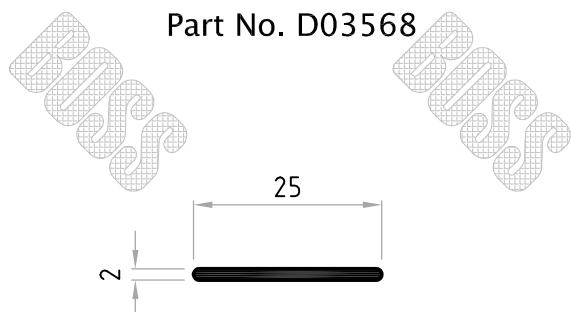
Part No. D03258



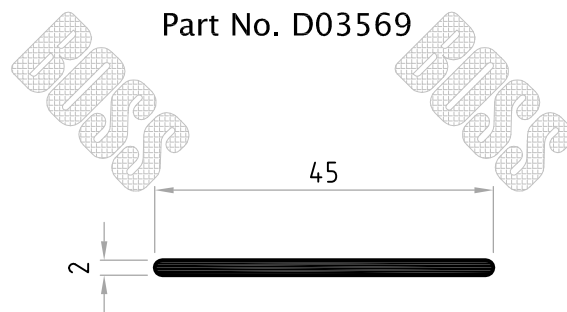
Part No. D03568



Part No. D03569



Part No. D03573

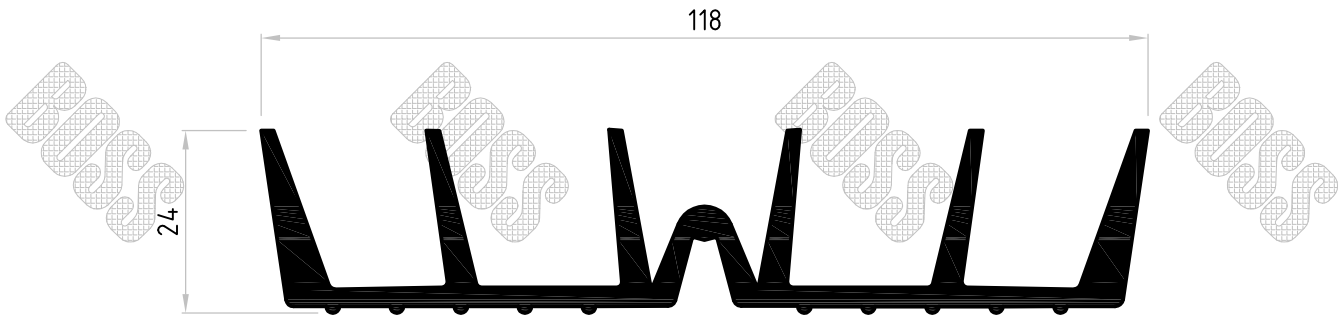


Part No. D03574

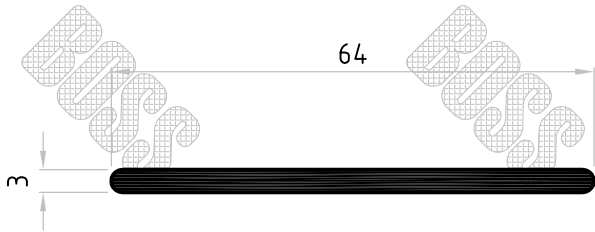
\* Profile drawings appearing in this section are indicative only. some profiles may be restricted to specific customers.

The material displayed on this page may not be reprinted or otherwise reproduced without the express written permission of Boss Polymer Technologies.

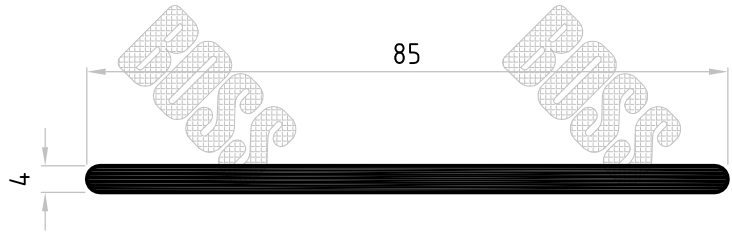
BOSS POLYMER TECHNOLOGIES PTY LTD  
Melbourne Australia  
PH: (613) 9561 2777  
FAX: (613) 9560 8777  
www.bosspolymer.com.au  
E-MAIL: sales@bosspolymer.com.au



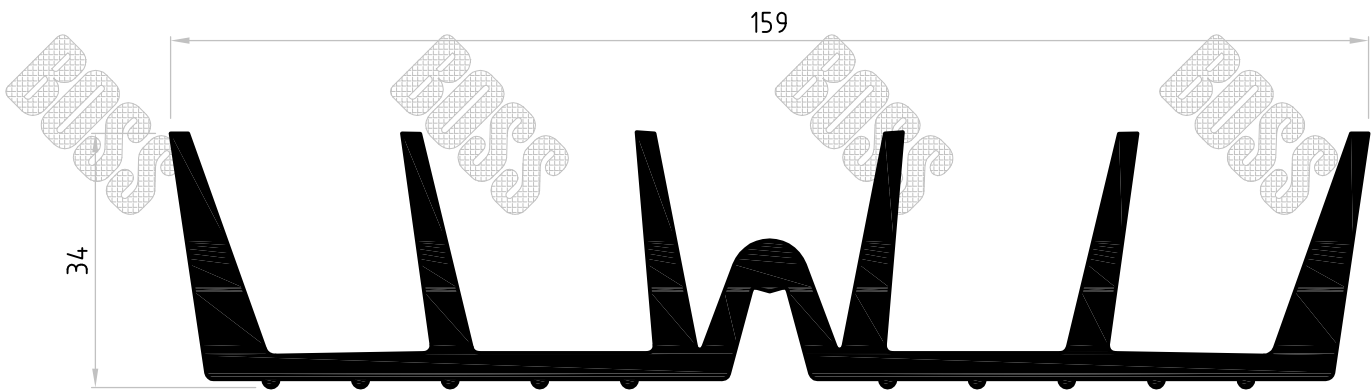
Part No. D03570



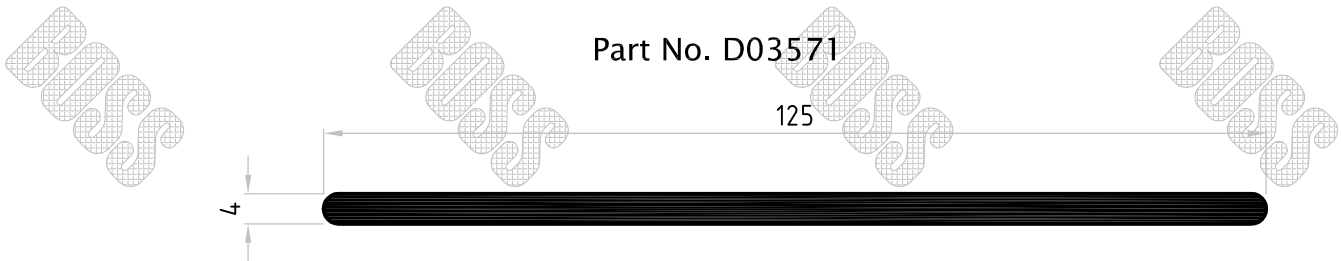
Part No. D03575



Part No. D03576



Part No. D03571

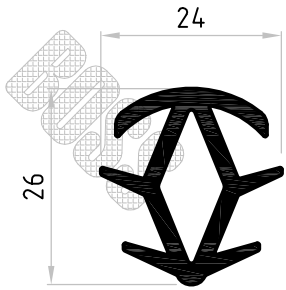


Part No. D03577

\* Profile drawings appearing in this section are indicative only. some profiles may be restricted to specific customers.

The material displayed on this page may not be reprinted or otherwise reproduced without the express written permission of Boss Polymer Technologies.

BOSS POLYMER TECHNOLOGIES PTY LTD  
Melbourne Australia  
PH: (613) 9561 2777  
FAX: (613) 9560 8777  
www.bosspolymer.com.au  
E-MAIL: sales@bosspolymer.com.au

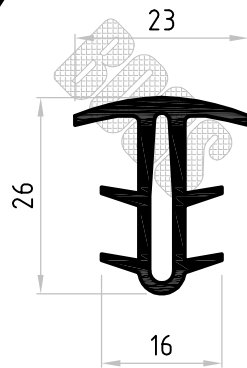


Part No. D02052

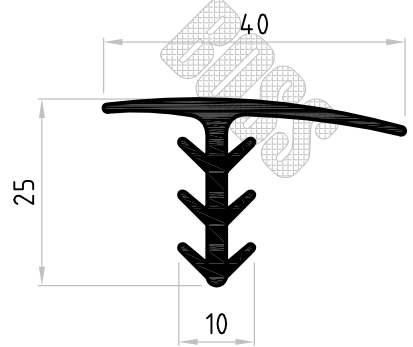
240

53

Part No. D03572



Part No. D02006

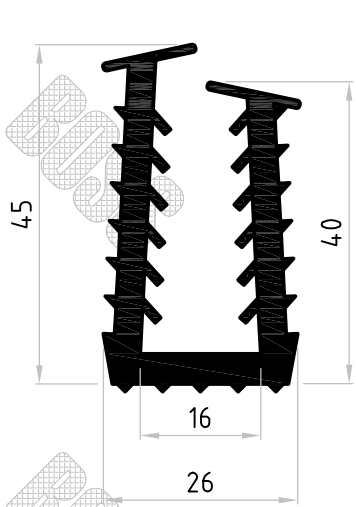


Part No. D03101

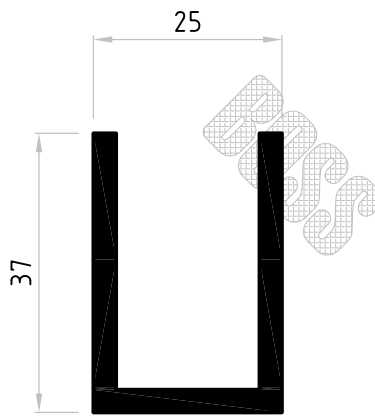
\* Profile drawings appearing in this section are indicative only. some profiles may be restricted to specific customers.

The material displayed on this page may not be reprinted or otherwise reproduced without the express written permission of Boss Polymer Technologies.

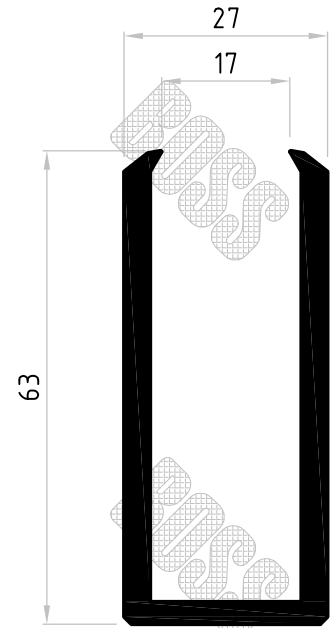
BOSS POLYMER TECHNOLOGIES PTY LTD  
Melbourne Australia  
PH: (613) 9561 2777  
FAX: (613) 9560 8777  
www.bosspolymer.com.au  
E-MAIL: sales@bosspolymer.com.au



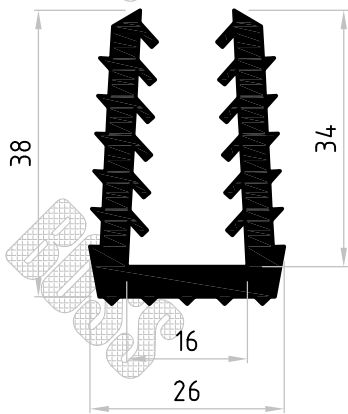
Part No. D02057



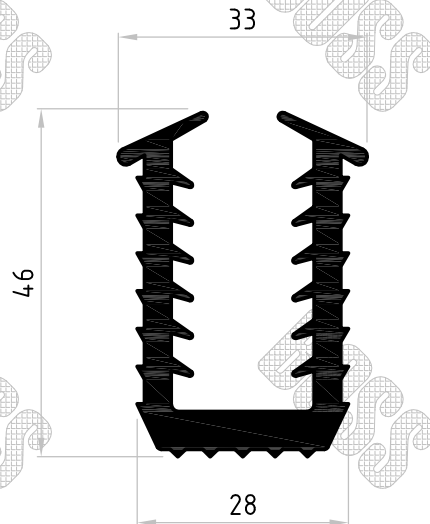
Part No. D03592



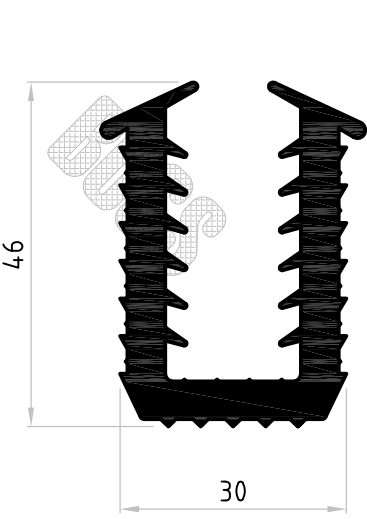
Part No. D03662



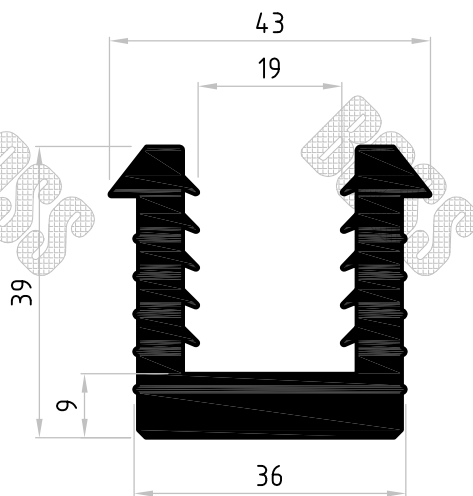
Part No. D02056



Part No. D02778



Part No. D03051



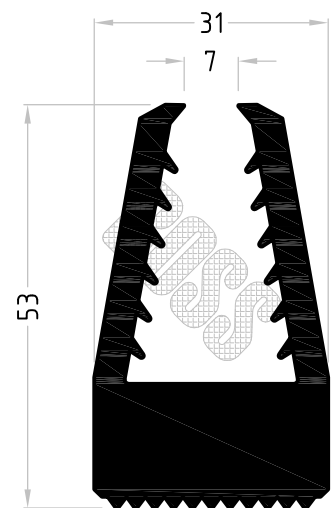
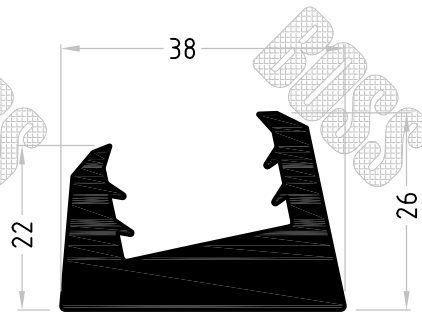
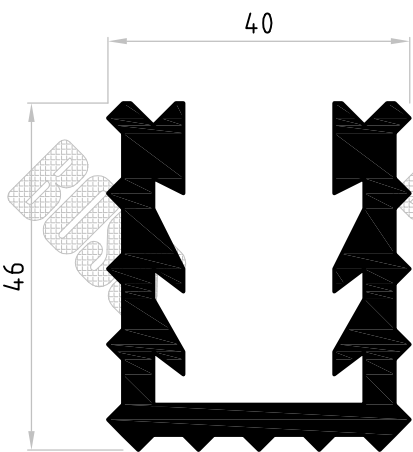
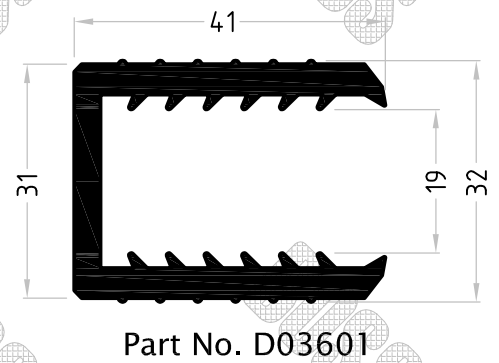
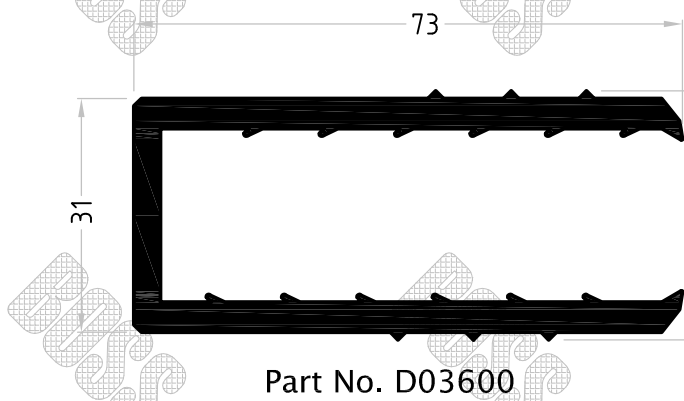
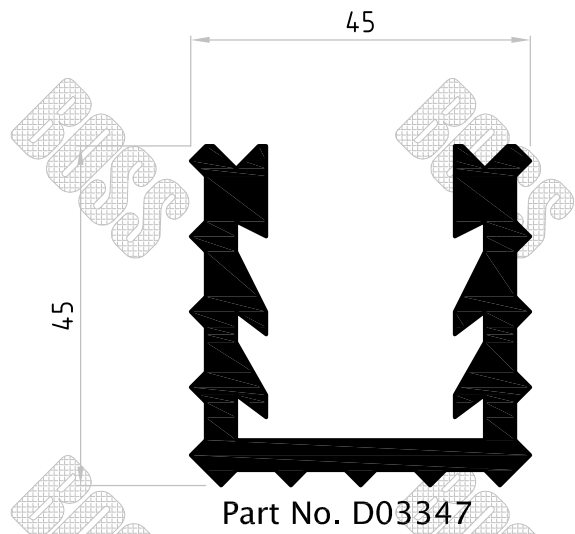
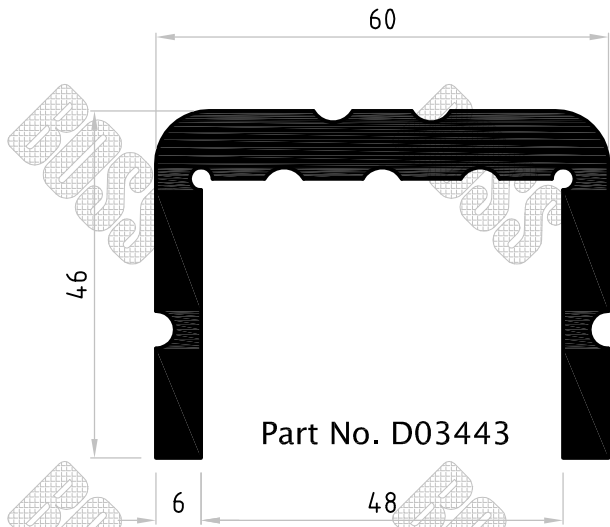
Part No. D03666

\* Profile drawings appearing in this section are indicative only.  
some profiles may be restricted to specific customers.

The material displayed on this page may not be reprinted or  
otherwise reproduced without the express written permission of  
Boss Polymer Technologies.

BOSS POLYMER TECHNOLOGIES PTY LTD  
Melbourne Australia  
PH: (613) 9561 2777  
FAX: (613) 9560 8777  
www.bosspolymer.com.au  
E-MAIL: sales@bosspolymer.com.au

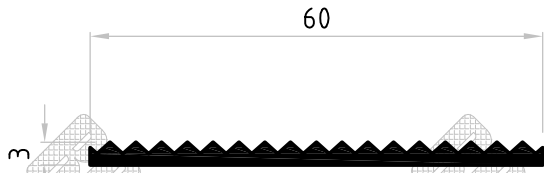




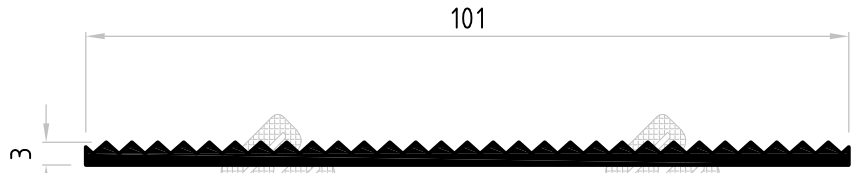
\* Profile drawings appearing in this section are indicative only. some profiles may be restricted to specific customers.

The material displayed on this page may not be reprinted or otherwise reproduced without the express written permission of Boss Polymer Technologies.

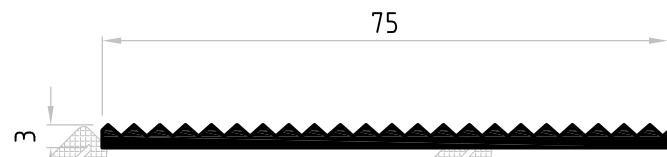
BOSS POLYMER TECHNOLOGIES PTY LTD  
Melbourne Australia  
PH: (613) 9561 2777  
FAX: (613) 9560 8777  
www.bosspolymer.com.au  
E-MAIL: sales@bosspolymer.com.au



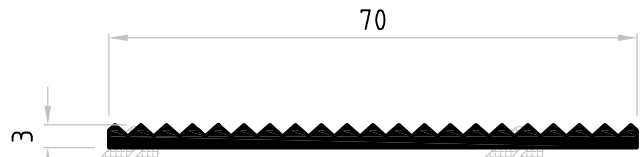
Part No. D00252



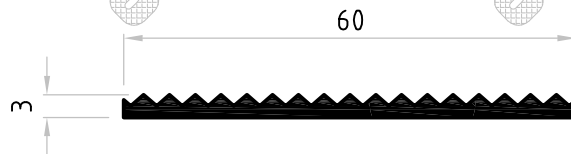
Part No. D00255



Part No. D00254



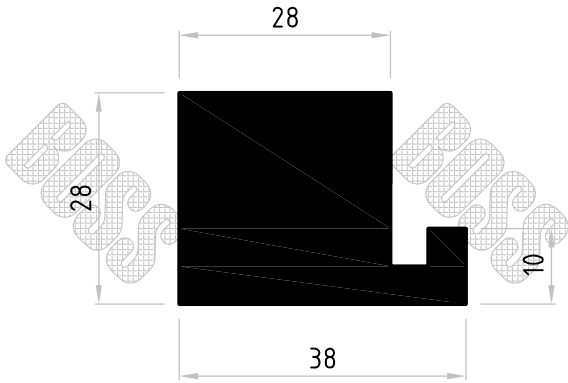
Part No. D00253



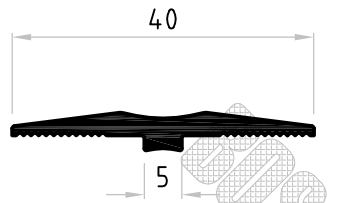
Part No. D03498

\* Profile drawings appearing in this section are indicative only. some profiles may be restricted to specific customers, patents and or other limitations,  
The material displayed on this page may not be reprinted or otherwise reproduced without the express written permission of Boss Polymer Technologies.

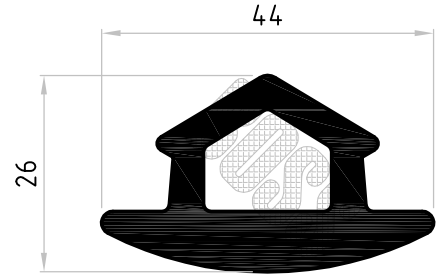
BOSS POLYMER TECHNOLOGIES PTY LTD  
Melbourne Australia  
PH: (613) 9561 2777  
FAX: (613) 9560 8777  
www.bosspolymer.com.au  
E-MAIL: sales@bosspolymer.com.au



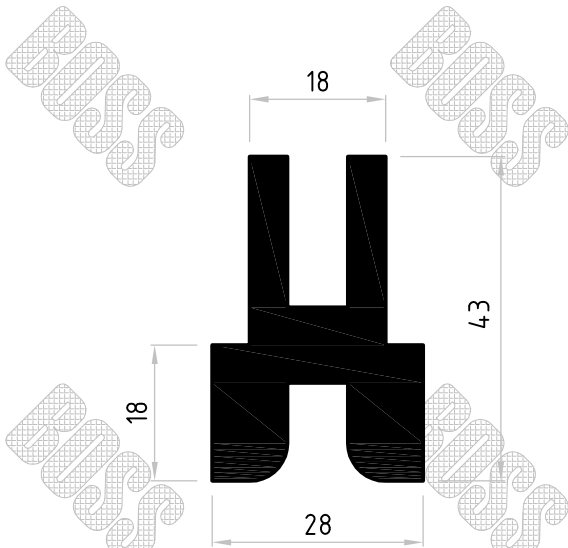
Part No. D01010



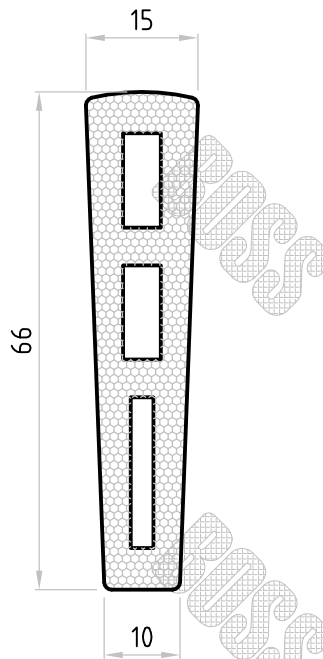
Part No. D03490



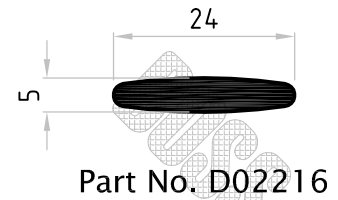
Part No. D02567



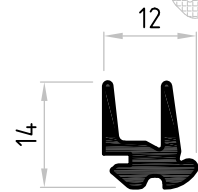
Part No. D01044



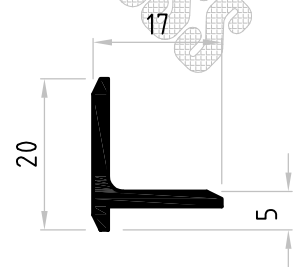
Part No. D02494



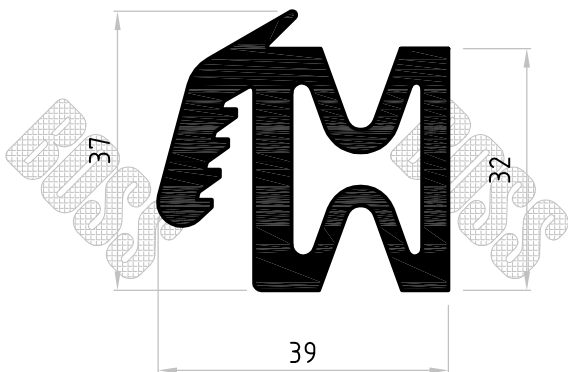
Part No. D02216



Part No. D02465

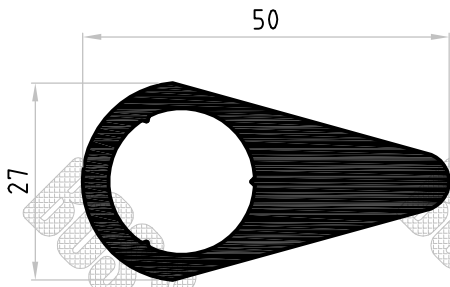


Part No. D01014  
Part No. D01015

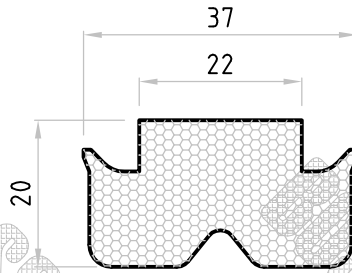


Part No. D03008

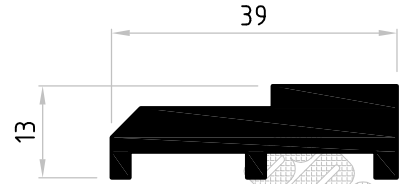
\* Profile drawings appearing in this section are indicative only. some profiles may be restricted to specific customers, patents and or other limitations, The material displayed on this page may not be reprinted or otherwise reproduced without the express written permission of Boss Polymer Technologies.



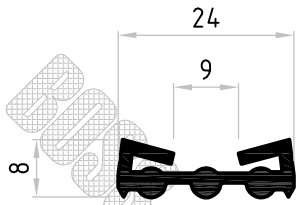
Part No. D03618



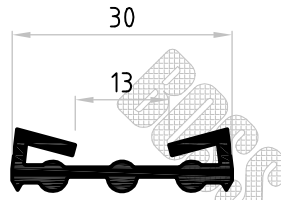
Part No. D03633



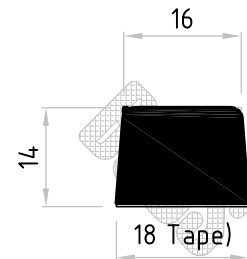
Part No. D02510



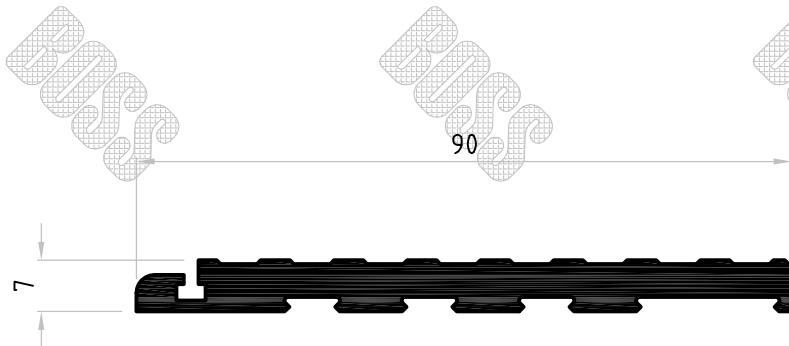
Part No. D02522



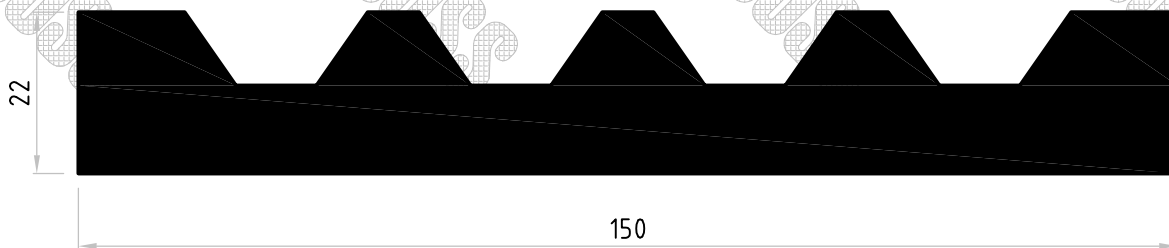
Part No. D02523



Part No. D03500



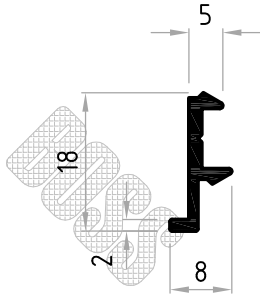
Part No. D02578



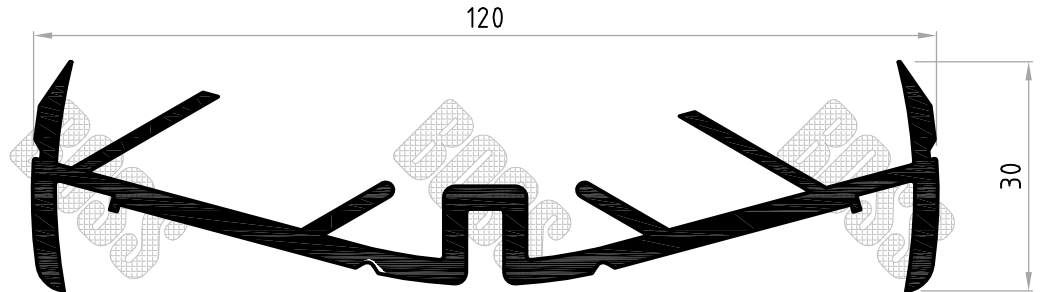
Part No. D03533

\* Profile drawings appearing in this section are indicative only. some profiles may be restricted to specific customers, patents and or other limitations. The material displayed on this page may not be reprinted or otherwise reproduced without the express written permission of Boss Polymer Technologies.

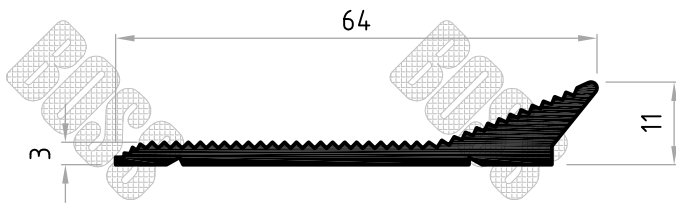
BOSS POLYMER TECHNOLOGIES PTY LTD  
Melbourne Australia  
PH: (613) 9561 2777  
FAX: (613) 9560 8777  
www.bosspolymer.com.au  
E-MAIL: sales@bosspolymer.com.au



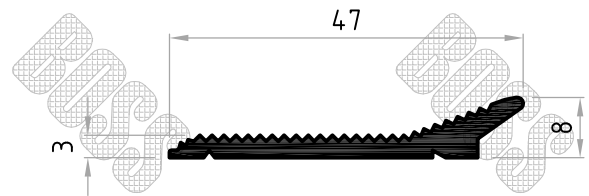
Part No. D03555



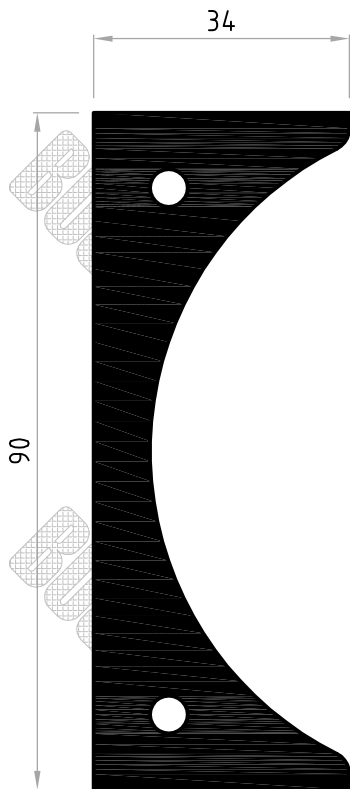
Part No. D03449



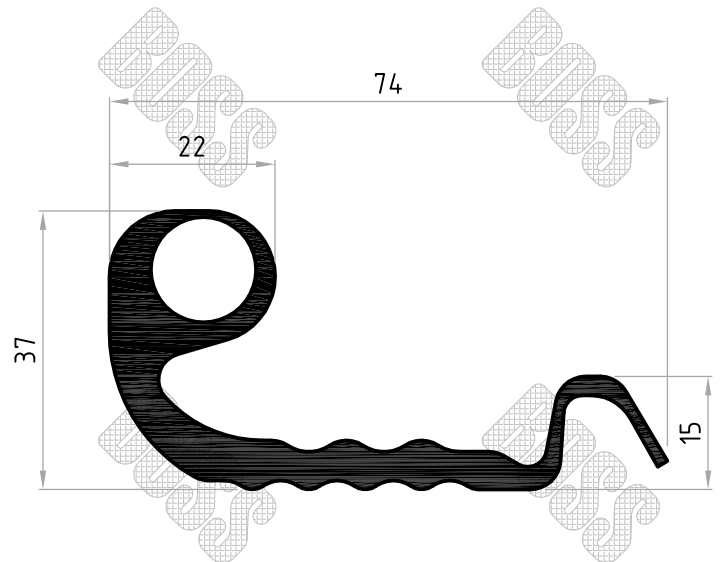
Part No. D02646



Part No. D02647



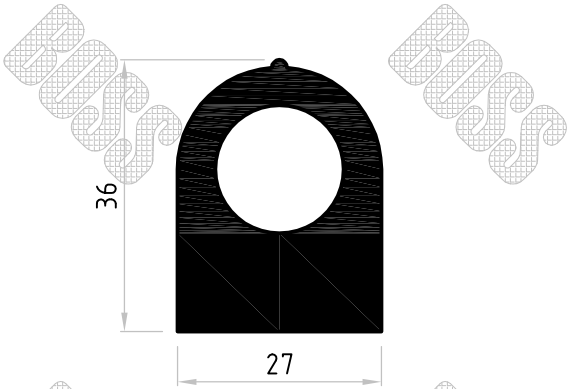
Part No. D03025



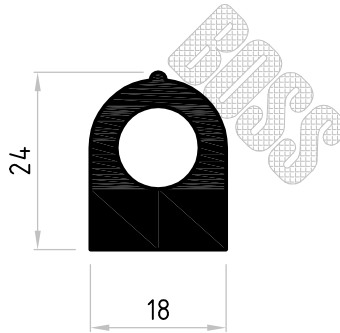
Part No. D02006

\* Profile drawings appearing in this section are indicative only. some profiles may be restricted to specific customers, patents and or other limitations, The material displayed on this page may not be reprinted or otherwise reproduced without the express written permission of Boss Polymer Technologies.

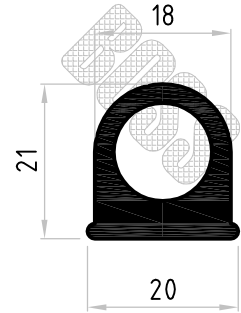
BOSS POLYMER TECHNOLOGIES PTY LTD  
Melbourne Australia  
PH: (613) 9561 2777  
FAX: (613) 9560 8777  
www.bosspolymer.com.au  
E-MAIL: sales@bosspolymer.com.au



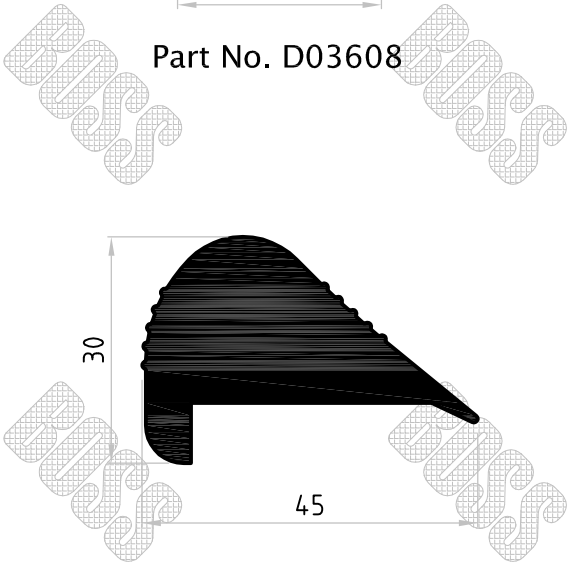
Part No. D03608



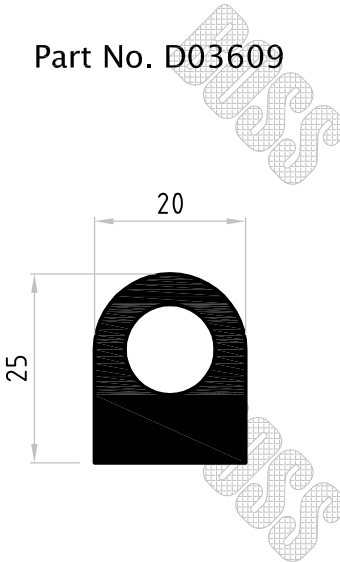
Part No. D03609



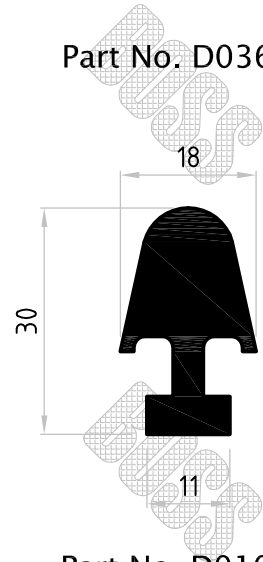
Part No. D03610



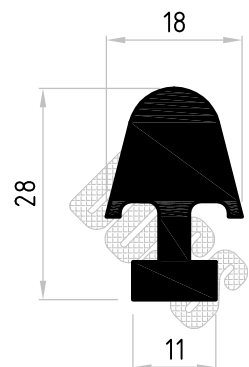
Part No. D03645



Part No. D03678



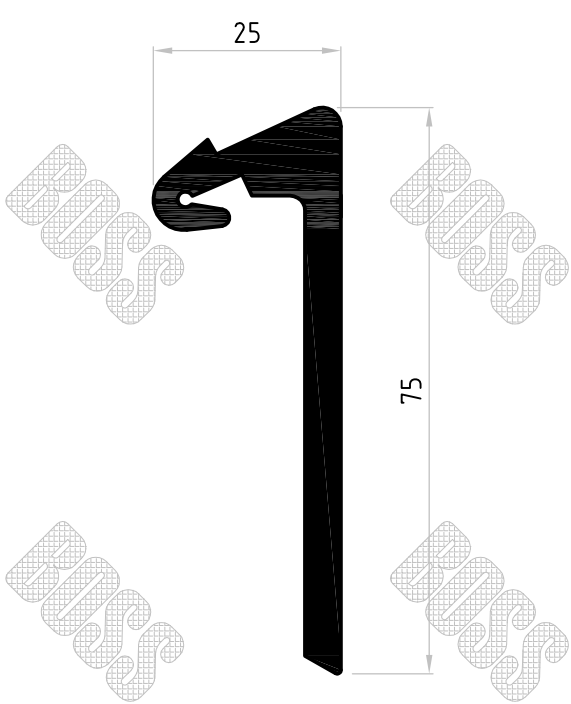
Part No. D01017



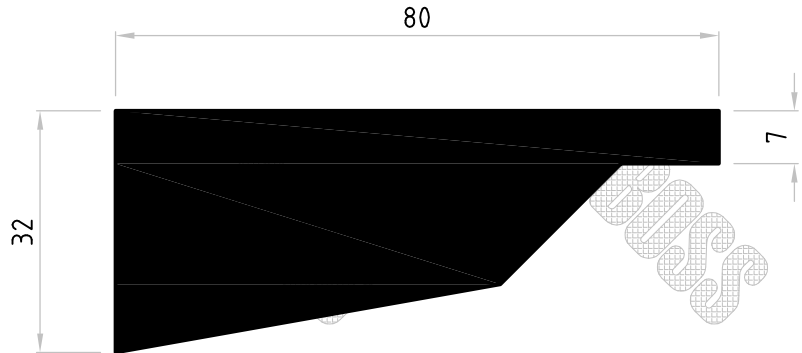
Part No. D01016

\* Profile drawings appearing in this section are indicative only. some profiles may be restricted to specific customers, patents and or other limitations, The material displayed on this page may not be reprinted or otherwise reproduced without the express written permission of Boss Polymer Technologies.

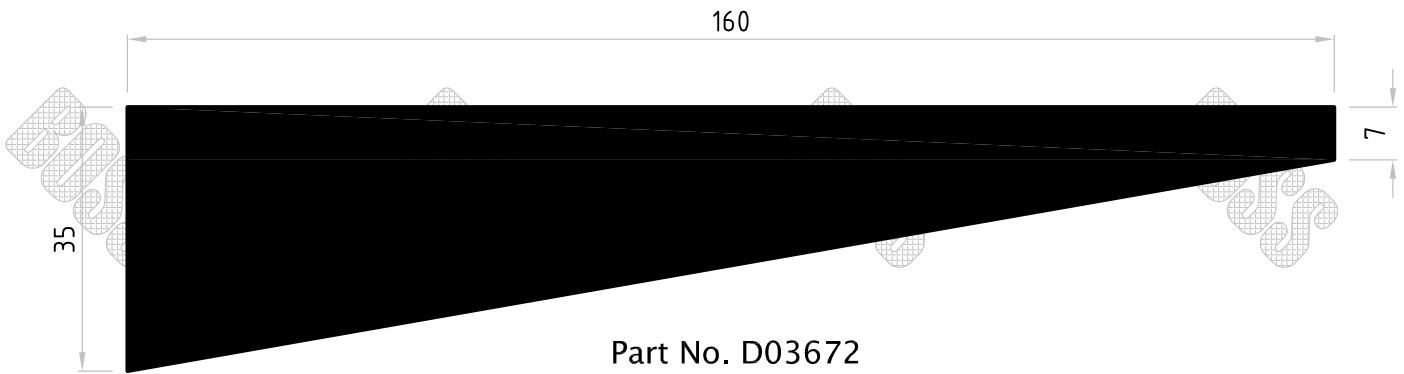




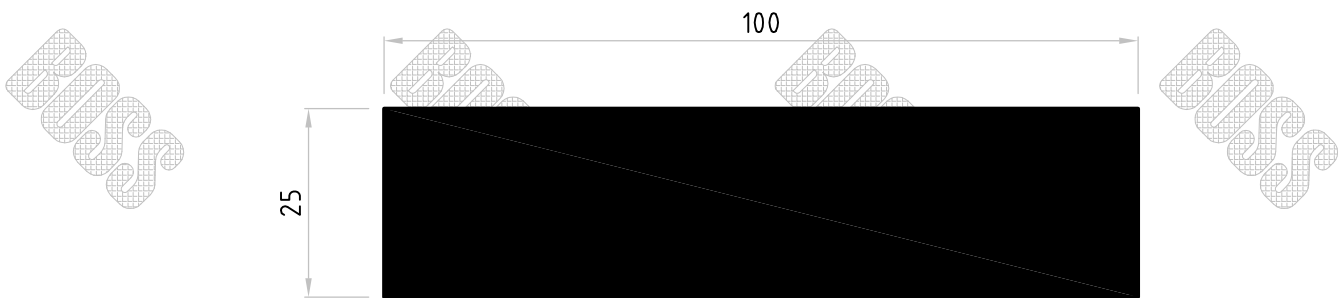
Part No. D03679



Part No. D03673



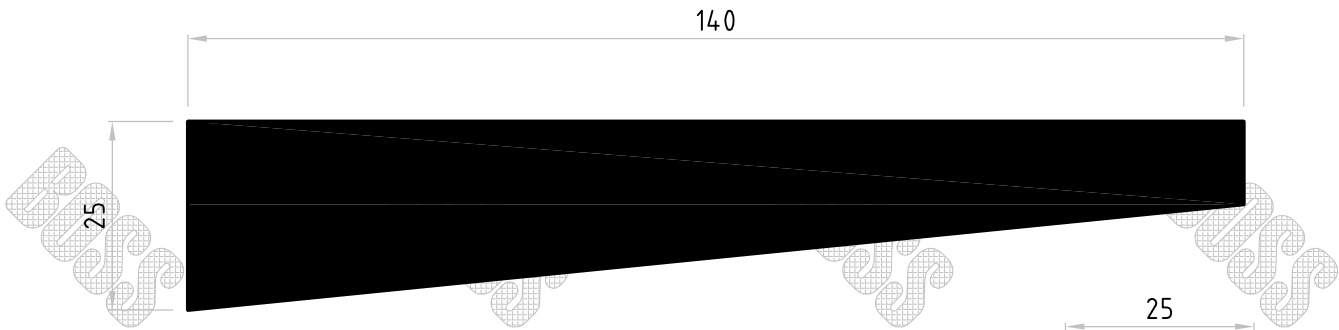
Part No. D03672



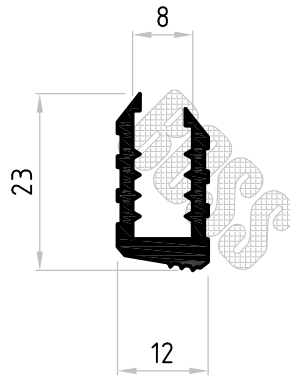
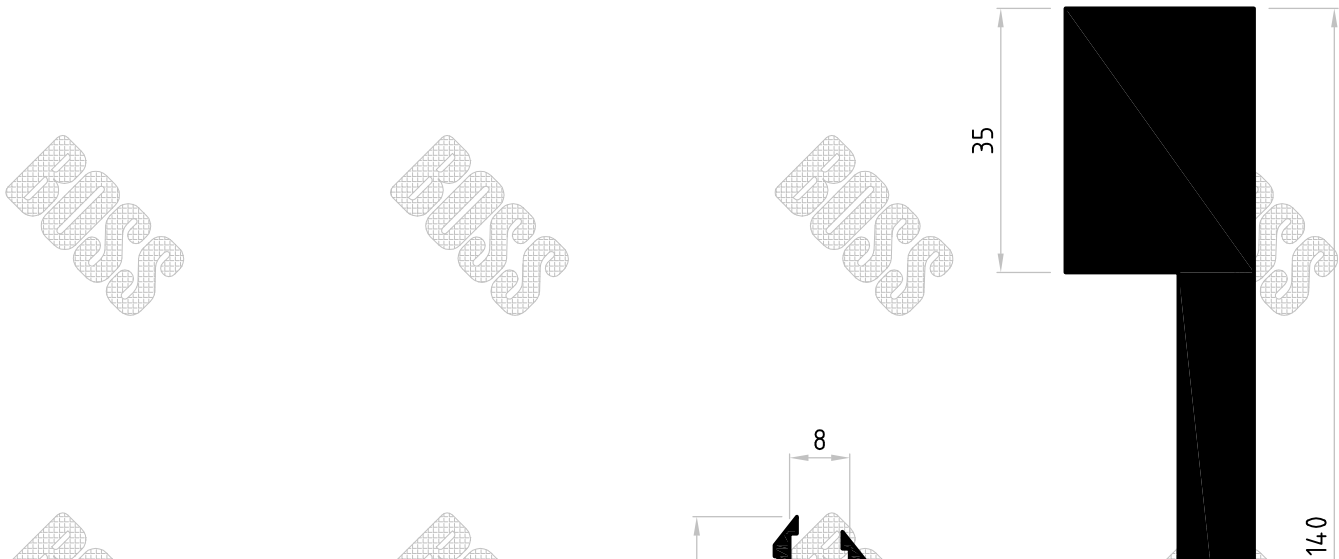
Part No. D03675

\* Profile drawings appearing in this section are indicative only. some profiles may be restricted to specific customers, patents and or other limitations, The material displayed on this page may not be reprinted or otherwise reproduced without the express written permission of Boss Polymer Technologies.

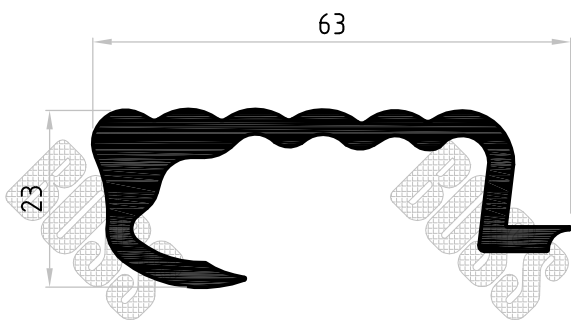
BOSS POLYMER TECHNOLOGIES PTY LTD  
Melbourne Australia  
PH: (613) 9561 2777  
FAX: (613) 9560 8777  
www.bosspolymer.com.au  
E-MAIL: sales@bosspolymer.com.au



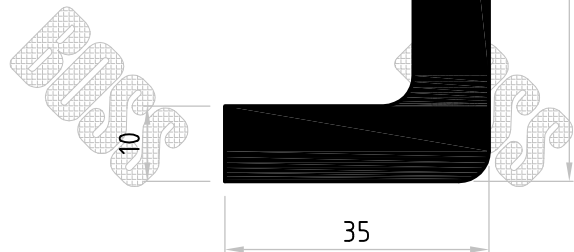
Part No. D03674



Part No. D01097



Part No. D03275



Part No. D03450

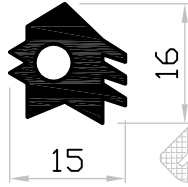
\* Profile drawings appearing in this section are indicative only. some profiles may be restricted to specific customers, patents and or other limitations, The material displayed on this page may not be reprinted or otherwise reproduced without the express written permission of Boss Polymer Technologies.



Part No. D00776



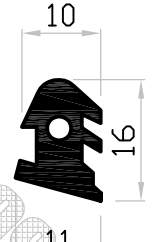
Part No. D03660



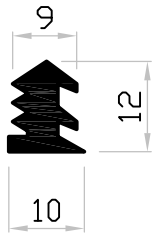
Part No. D00800



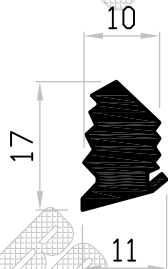
Part No. D00800



Part No. D00800

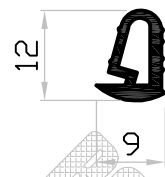


Part No. D00891

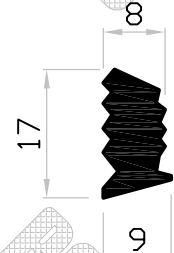


Part No. D00964

Part No. D00965

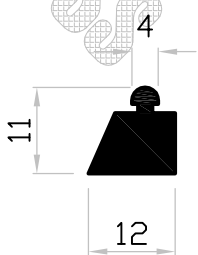


Part No. D00855

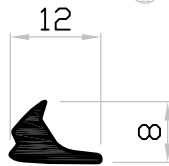


Part No. D00966

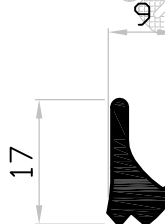
Part No. D00967



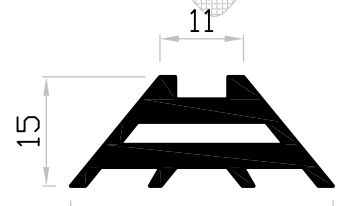
Part No. D02689



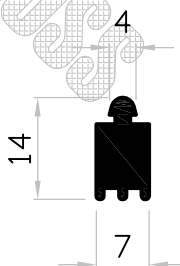
Part No. D02689-1



Part No. D02657

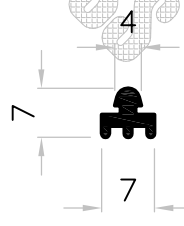


Part No. D00958



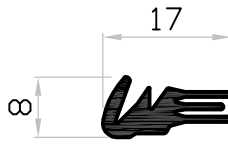
Part No. D00960

Part No. D00961

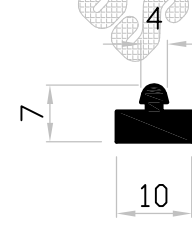


Part No. D00968

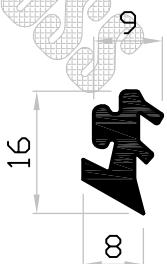
Part No. D00969



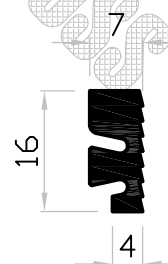
Part No. D03322



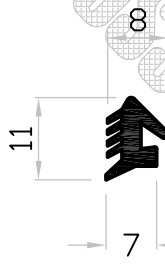
Part No. D00963



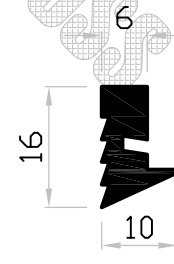
Part No. D00982



Part No. D02928



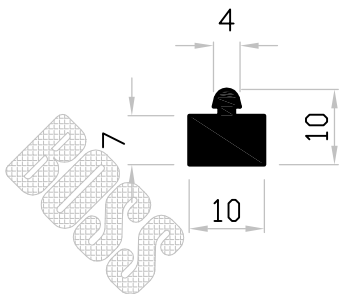
Part No. D02074



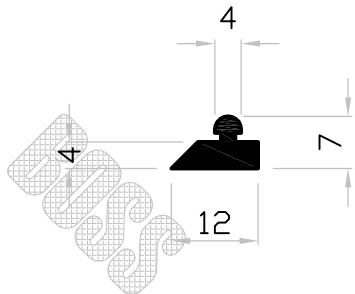
Part No. D02917

\* Profile drawings appearing in this section are indicative only. some profiles may be restricted to specific customers, patents and or other limitations. The material displayed on this page may not be reprinted or otherwise reproduced without the express written permission of Boss Polymer Technologies.

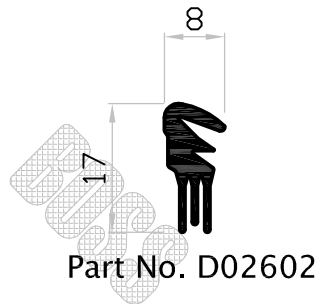
BOSS POLYMER TECHNOLOGIES PTY LTD  
Melbourne Australia  
PH: (613) 9561 2777  
FAX: (613) 9560 8777  
www.bosspolymer.com.au  
E-MAIL: sales@bosspolymer.com.au



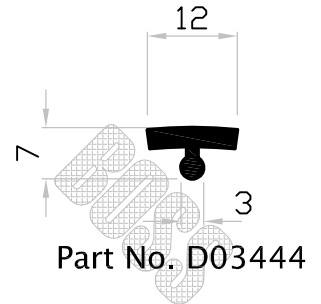
Part No. D01052



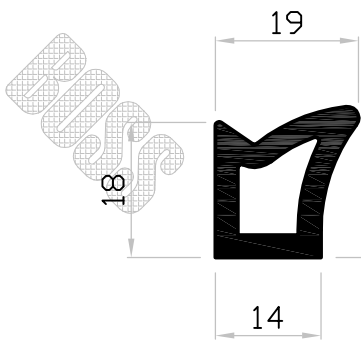
Part No. D02185



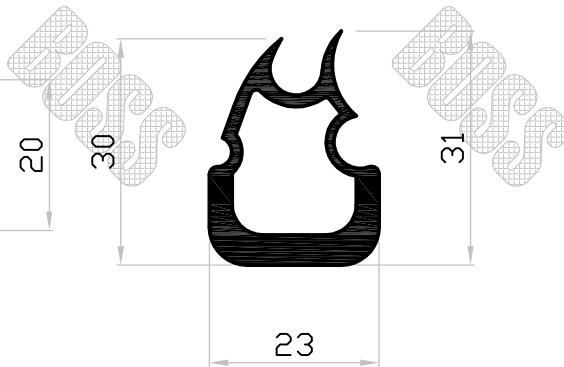
Part No. D02602



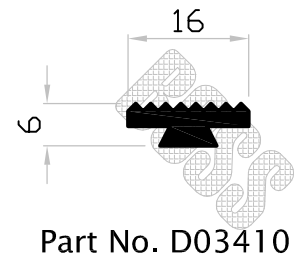
Part No. D03444



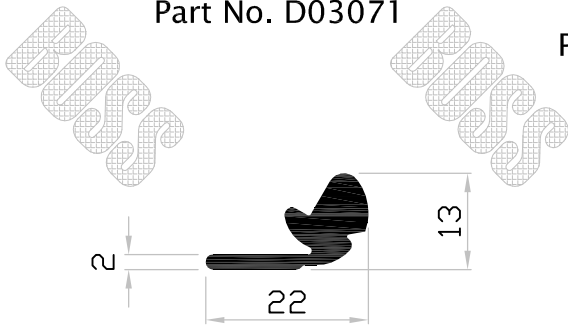
Part No. D03071



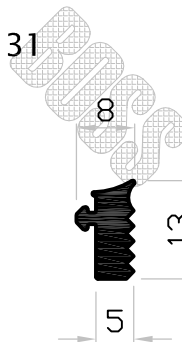
Part No. D03131



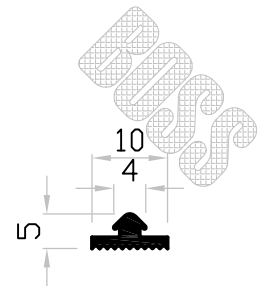
Part No. D03410



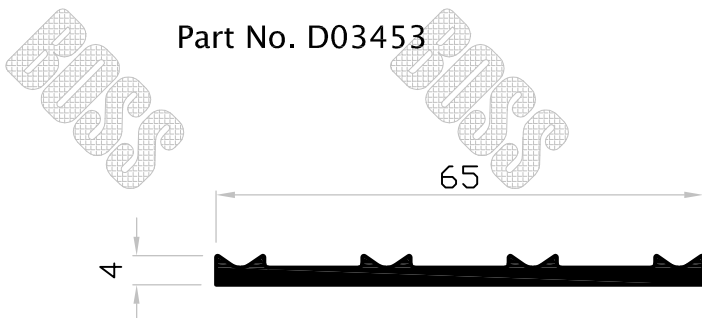
Part No. D03453



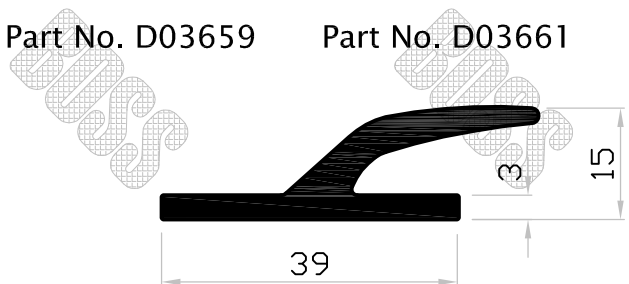
Part No. D03659



Part No. D03661

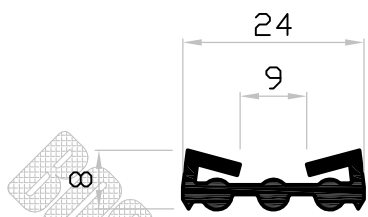


Part No. D03158

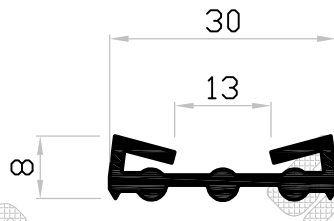


Part No. D03478

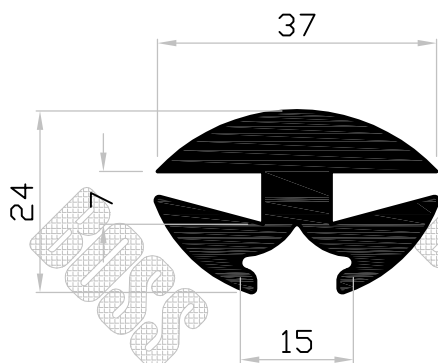
\* Profile drawings appearing in this section are indicative only. some profiles may be restricted to specific customers, patents and or other limitations, The material displayed on this page may not be reprinted or otherwise reproduced without the express written permission of Boss Polymer Technologies.



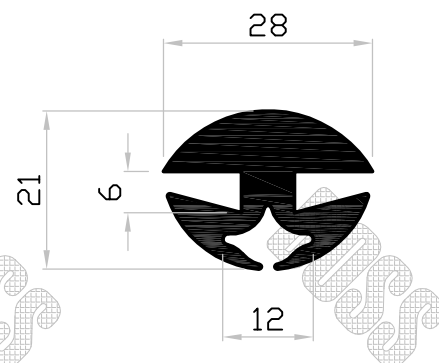
Part No. D02522



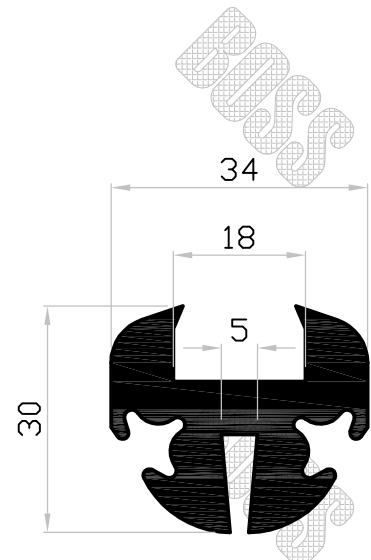
Part No. D02523



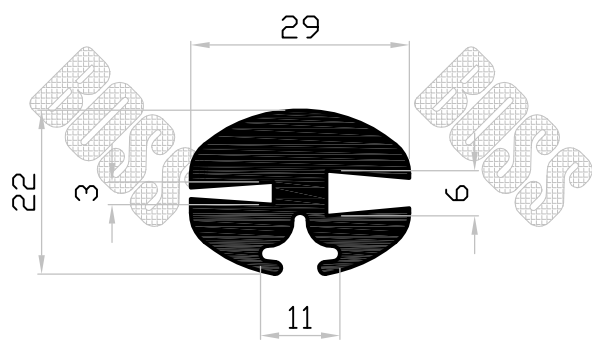
Part No. D00970



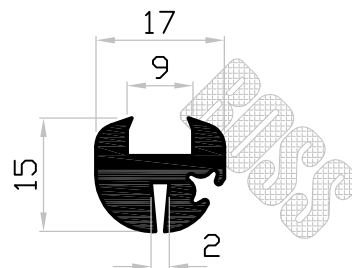
Part No. D00952



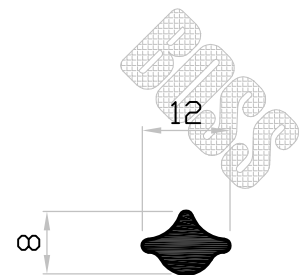
Part No. D02560  
Part No. D02398



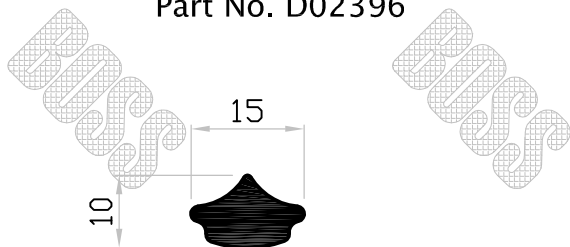
Part No. D02396



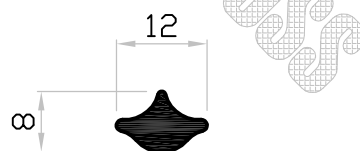
Part No. D03528



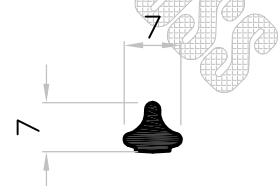
Part No. D02561  
Part No. D02397



Part No. D0971

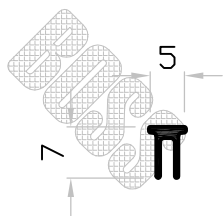


Part No. D00953

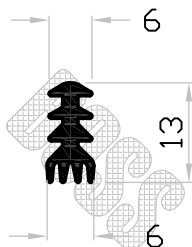


Part No. D02651

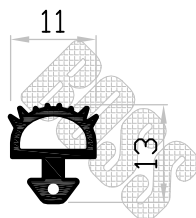
\* Profile drawings appearing in this section are indicative only. some profiles may be restricted to specific customers, patents and or other limitations. The material displayed on this page may not be reprinted or otherwise reproduced without the express written permission of Boss Polymer Technologies.



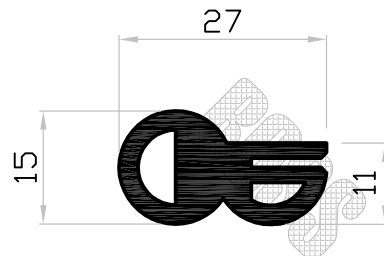
Part No. D03303



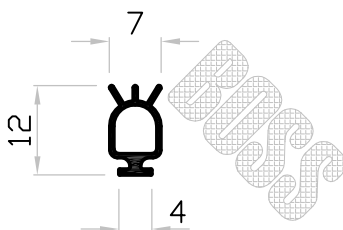
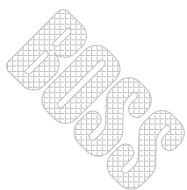
Part No. D03273



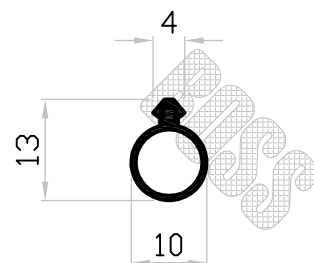
Part No. D03318



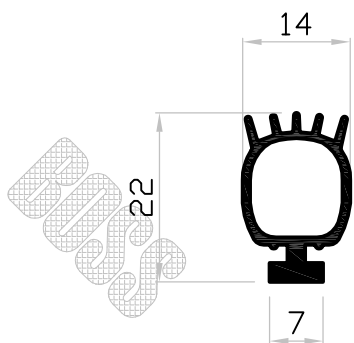
Part No. D02495



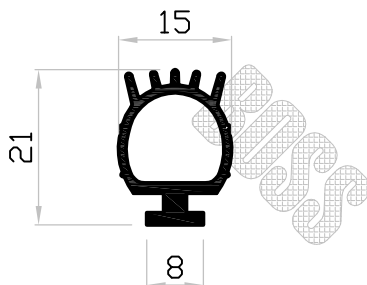
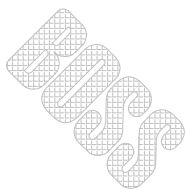
Part No. D02943



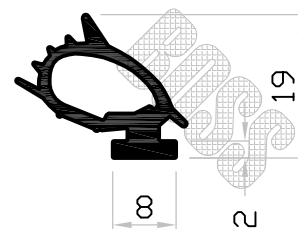
Part No. D02947



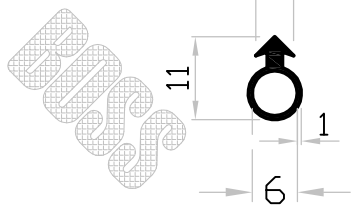
Part No. D02550



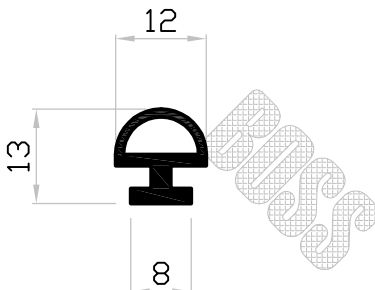
Part No. D03457



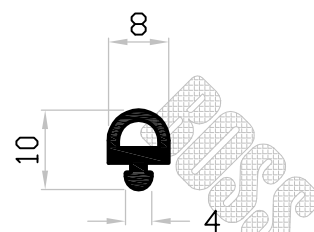
Part No. D03467



Part No. D00031

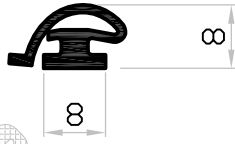


Part No. D00732

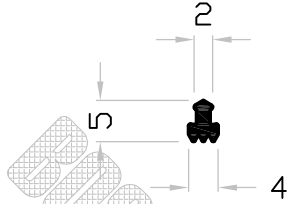


Part No. D00954

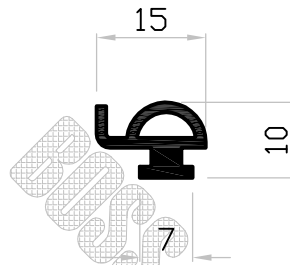
\* Profile drawings appearing in this section are indicative only. some profiles may be restricted to specific customers, patents and or other limitations. The material displayed on this page may not be reprinted or otherwise reproduced without the express written permission of Boss Polymer Technologies.



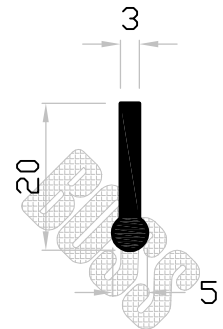
Part No. D03155



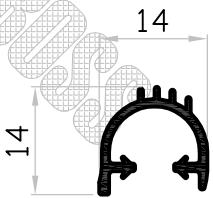
Part No. D02577



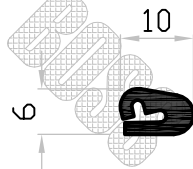
Part No. D03193



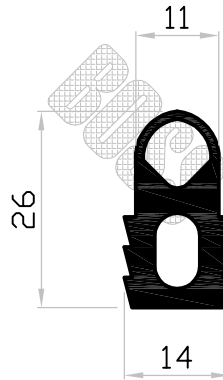
Part No. D02678



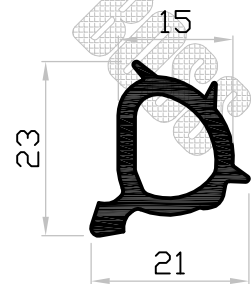
Part No. D01004



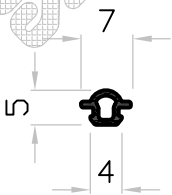
Part No. D02709



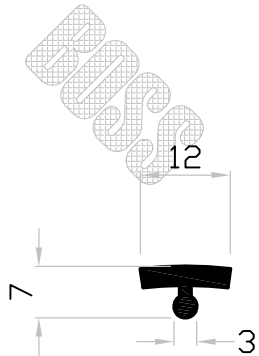
Part No. D03285



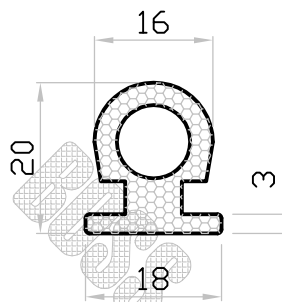
Part No. D03598



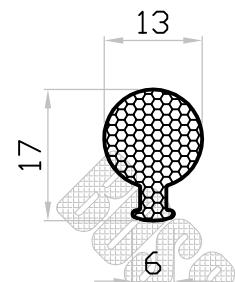
Part No. D03651



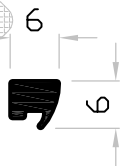
Part No. D03444



Part No. D03559



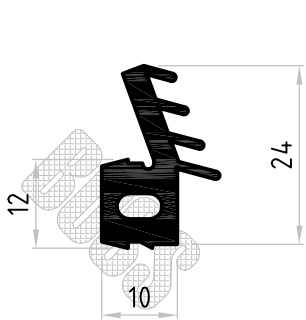
Part No. D03579



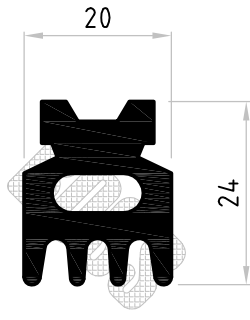
Part No. D03620

\* Profile drawings appearing in this section are indicative only. some profiles may be restricted to specific customers, patents and or other limitations, The material displayed on this page may not be reprinted or otherwise reproduced without the express written permission of Boss Polymer Technologies.

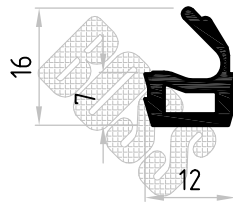
BOSS POLYMER TECHNOLOGIES PTY LTD  
Melbourne Australia  
PH: (613) 9561 2777  
FAX: (613) 9560 8777  
www.bosspolymer.com.au  
E-MAIL: sales@bosspolymer.com.au



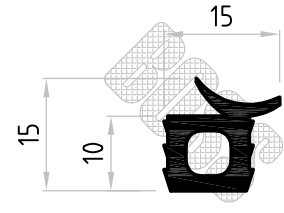
Part No. D00994



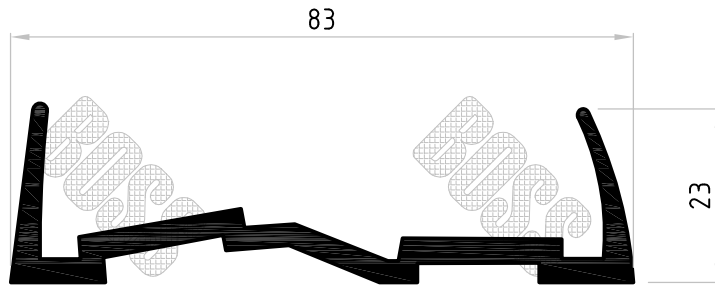
Part No. D02407



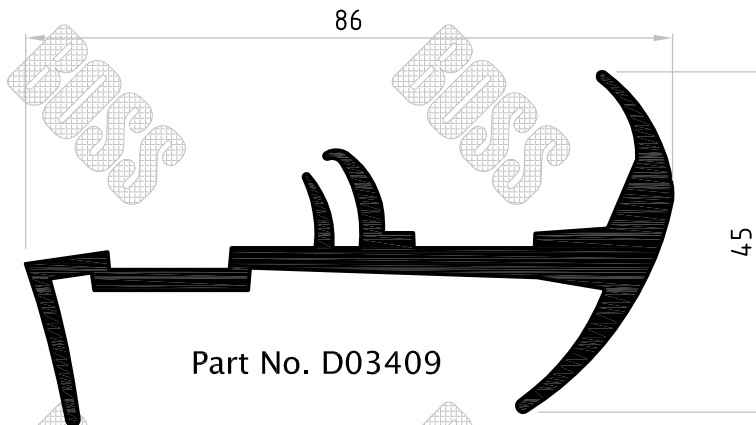
Part No. D01045



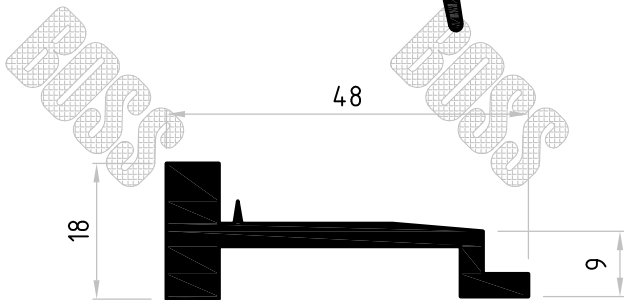
Part No. D00769



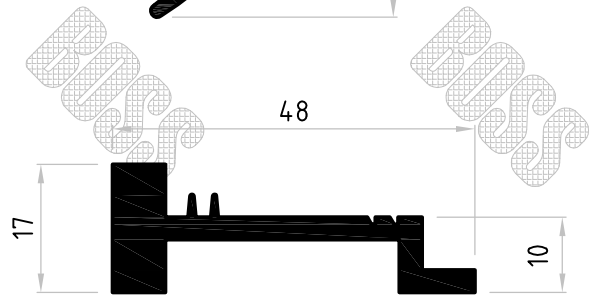
Part No. D03408



Part No. D03409



Part No. D02698

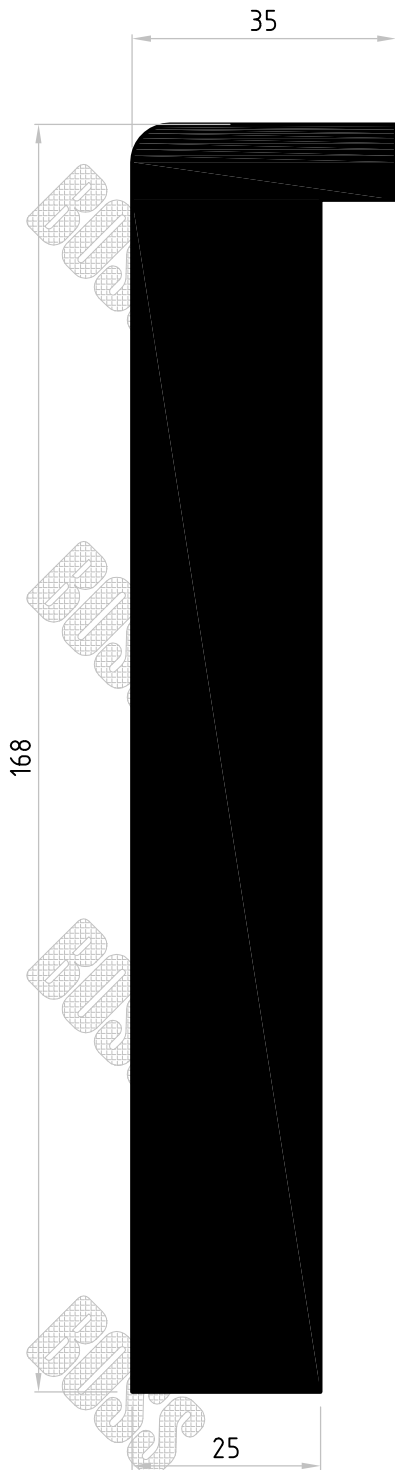


Part No. D02631

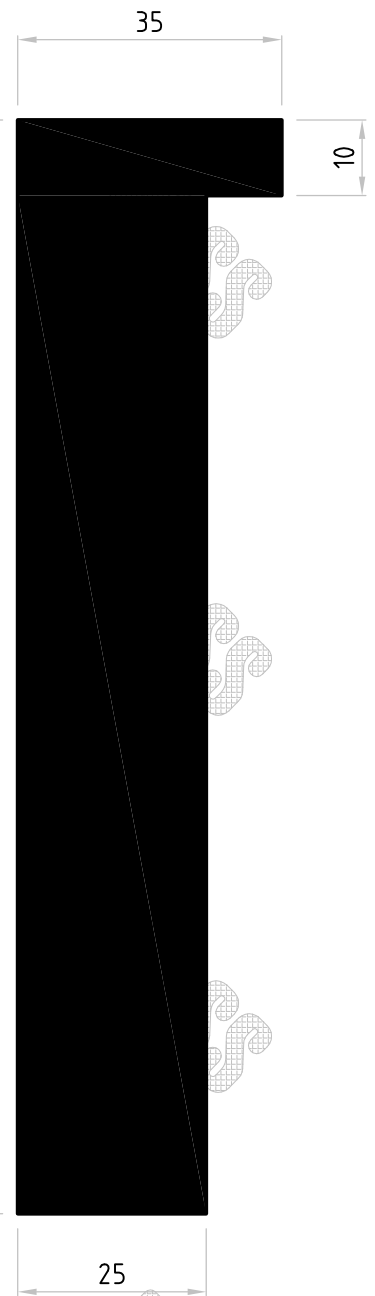
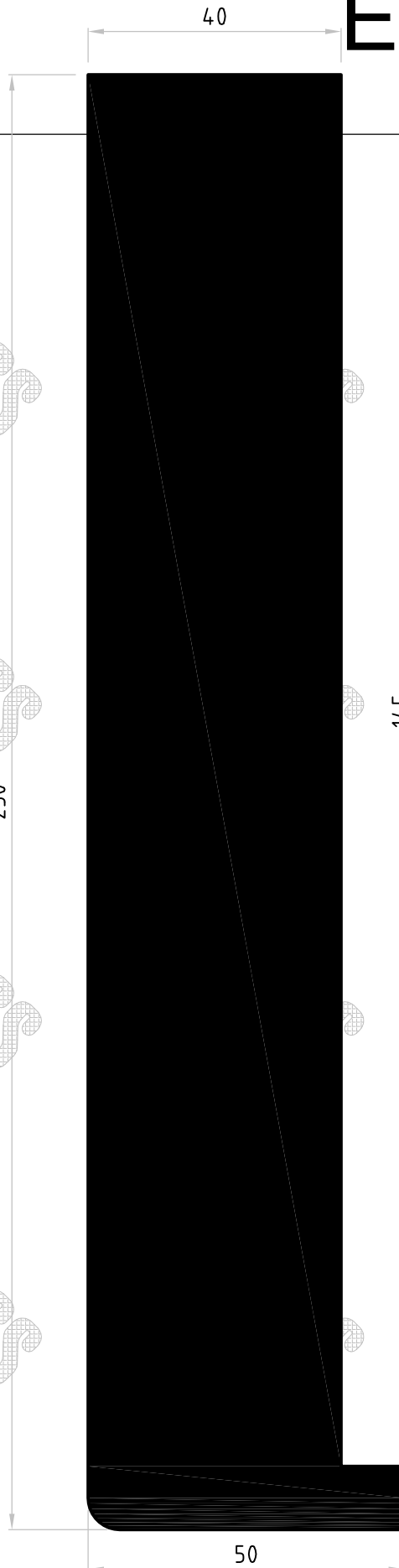
\* Profile drawings appearing in this section are indicative only. some profiles may be restricted to specific customers, patents and or other limitations, The material displayed on this page may not be reprinted or otherwise reproduced without the express written permission of Boss Polymer Technologies.

BOSS POLYMER TECHNOLOGIES PTY LTD  
Melbourne Australia  
PH: (613) 9561 2777  
FAX: (613) 9560 8777  
www.bosspolymer.com.au  
E-MAIL: sales@bosspolymer.com.au





Part No. D03359

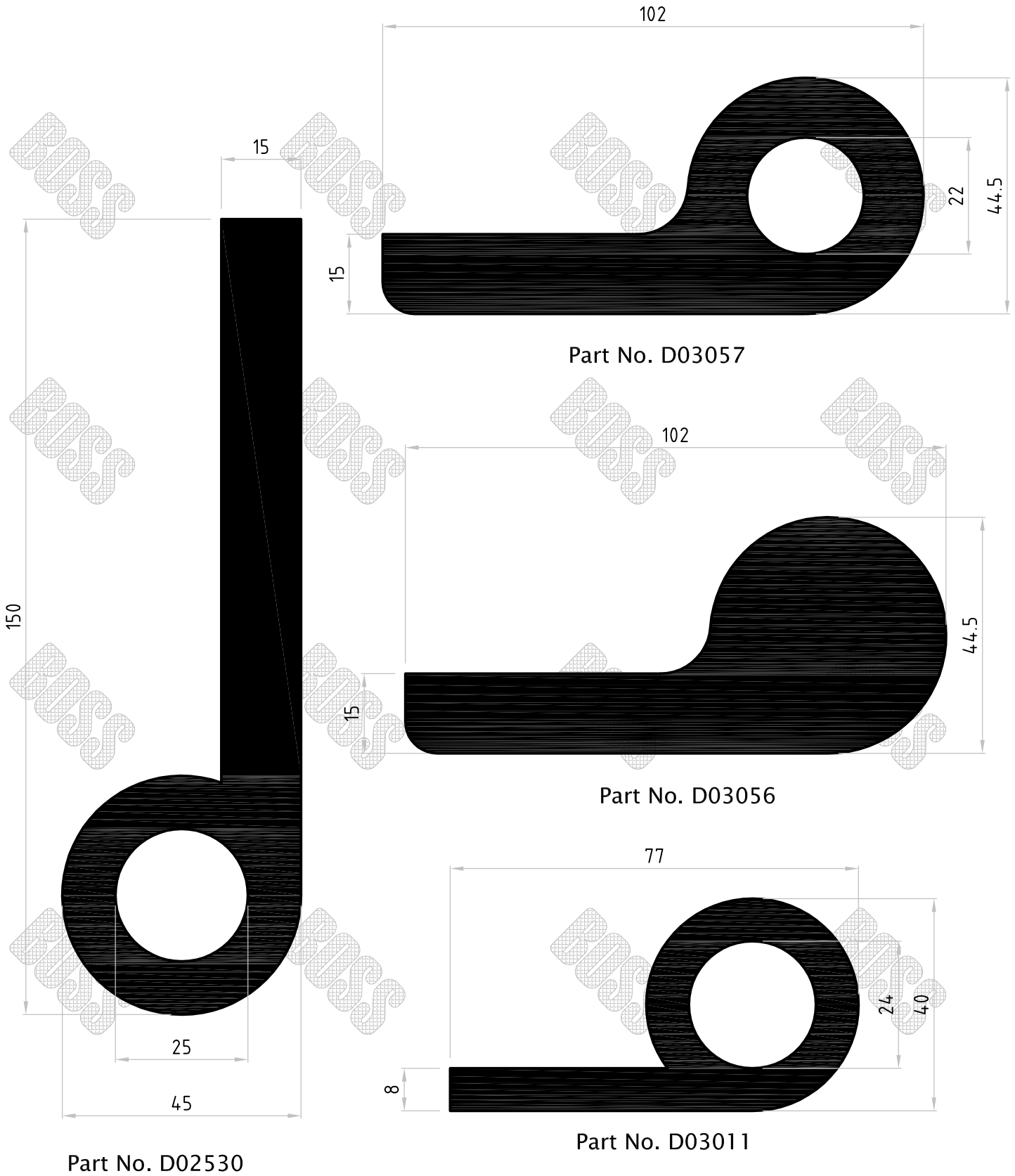


Part No. D03348

Part No. D03404

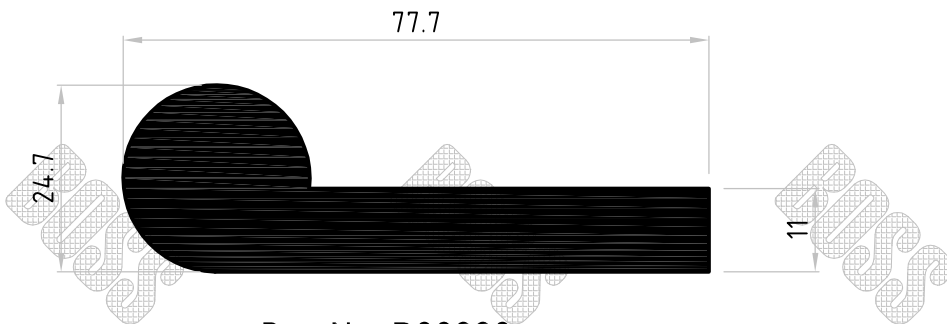
\* Profile drawings appearing in this section are indicative only. some profiles may be restricted to specific customers, patents and or other limitations, The material displayed on this page may not be reprinted or otherwise reproduced without the express written permission of Boss Polymer Technologies.

BOSS POLYMER TECHNOLOGIES PTY LTD  
Melbourne Australia  
PH: (613) 9561 2777  
FAX: (613) 9560 8777  
www.bosspolymer.com.au  
E-MAIL: sales@bosspolymer.com.au

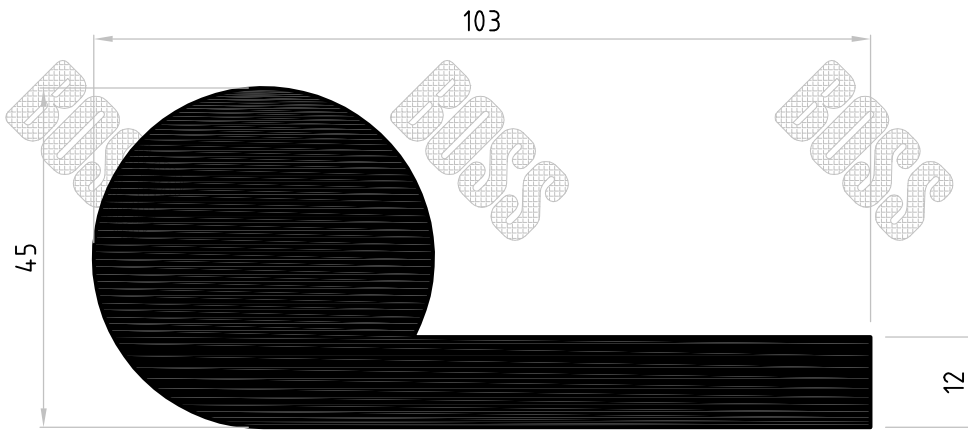


\* Profile drawings appearing in this section are indicative only. some profiles may be restricted to specific customers, patents and or other limitations, The material displayed on this page may not be reprinted or otherwise reproduced without the express written permission of Boss Polymer Technologies.

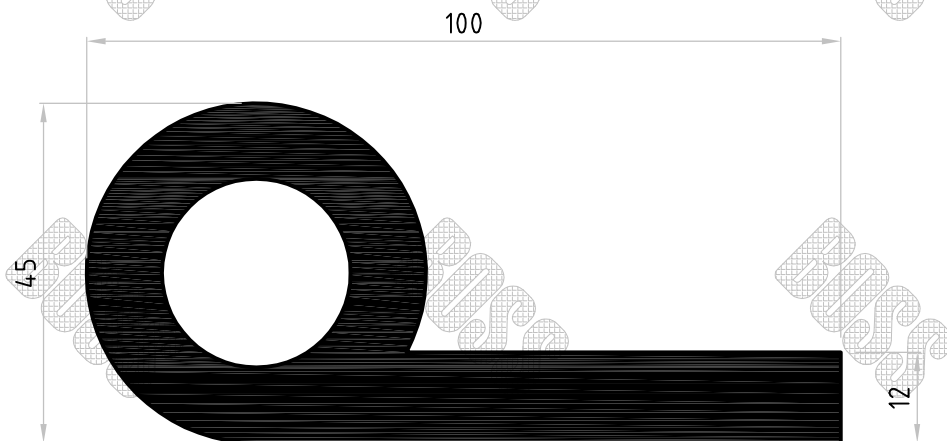
BOSS POLYMER TECHNOLOGIES PTY LTD  
Melbourne Australia  
PH: (613) 9561 2777  
FAX: (613) 9560 8777  
www.bosspolymer.com.au  
E-MAIL: sales@bosspolymer.com.au



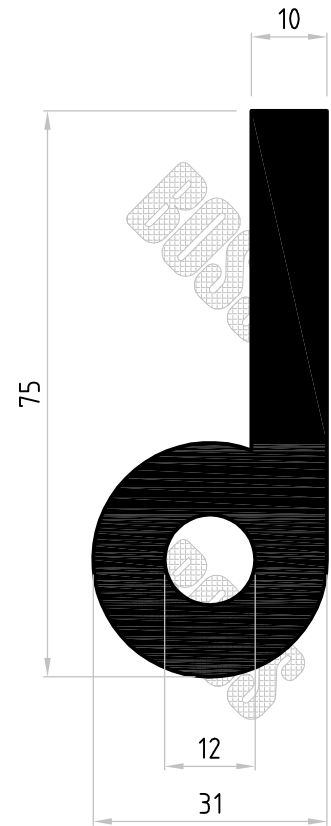
Part No. D00990



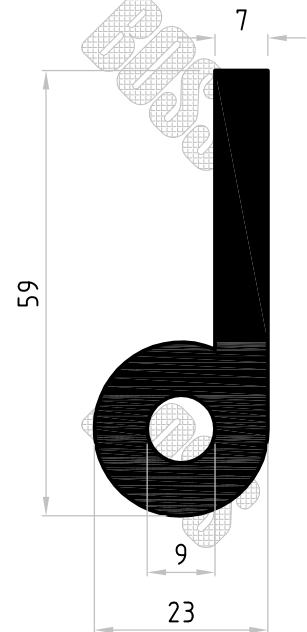
Part No. D00269



Part No. D00268  
Part No. D02055



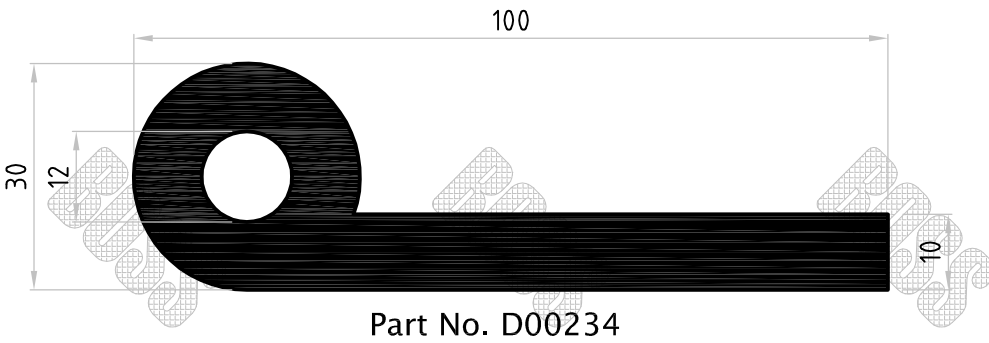
Part No. D02210



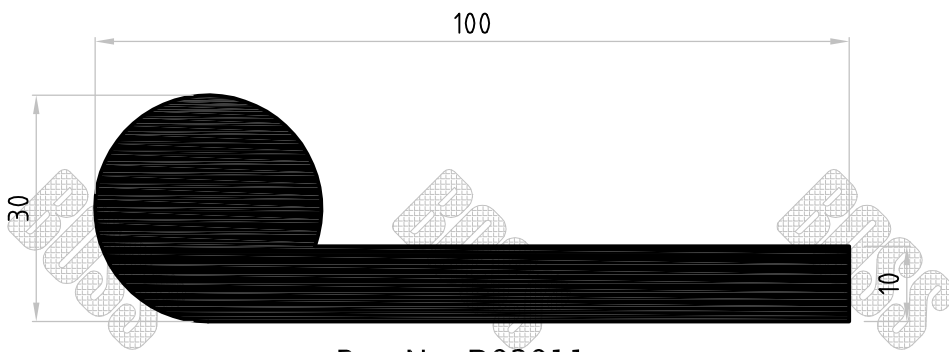
Part No. D02151  
Part No. D02079  
Part No. D02129

\* Profile drawings appearing in this section are indicative only. some profiles may be restricted to specific customers, patents and or other limitations, The material displayed on this page may not be reprinted or otherwise reproduced without the express written permission of Boss Polymer Technologies.

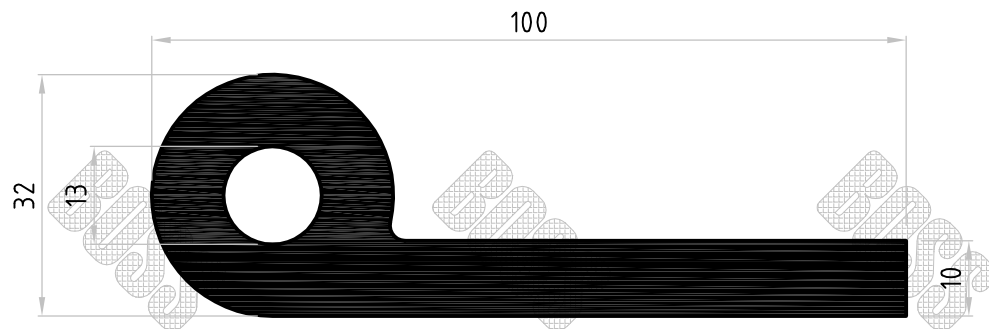
BOSS POLYMER TECHNOLOGIES PTY LTD  
Melbourne Australia  
PH: (613) 9561 2777  
FAX: (613) 9560 8777  
www.bosspolymer.com.au  
E-MAIL: sales@bosspolymer.com.au



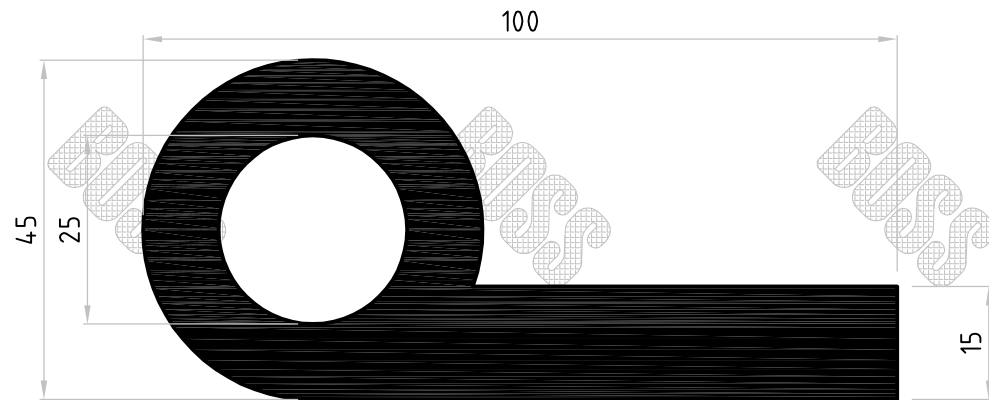
Part No. D00234



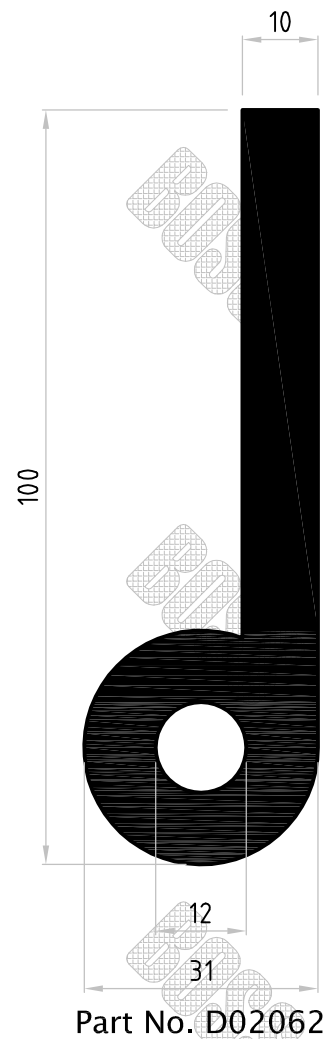
Part No. D02011



Part No. D02340



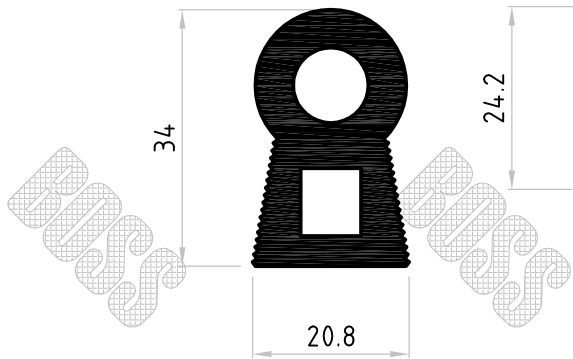
Part No. D02041  
Part No. D02456



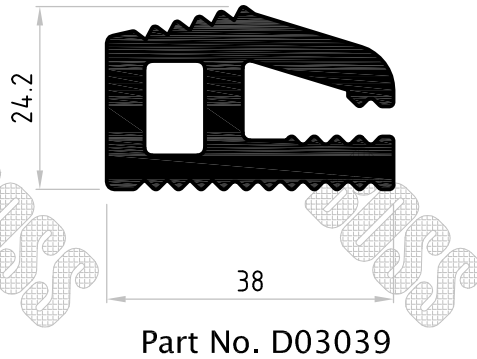
Part No. D02062

\* Profile drawings appearing in this section are indicative only. some profiles may be restricted to specific customers, patents and or other limitations, The material displayed on this page may not be reprinted or otherwise reproduced without the express written permission of Boss Polymer Technologies.

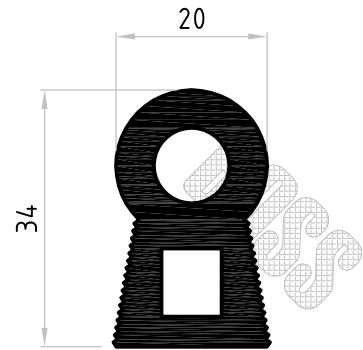
BOSS POLYMER TECHNOLOGIES PTY LTD  
Melbourne Australia  
PH: (613) 9561 2777  
FAX: (613) 9560 8777  
www.bosspolymer.com.au  
E-MAIL: sales@bosspolymer.com.au



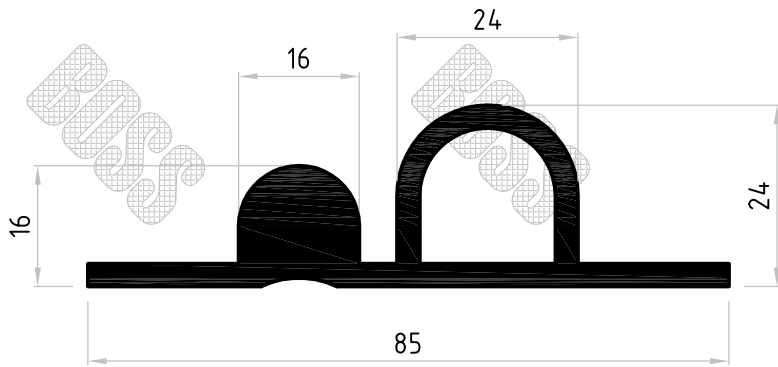
Part No. D02915



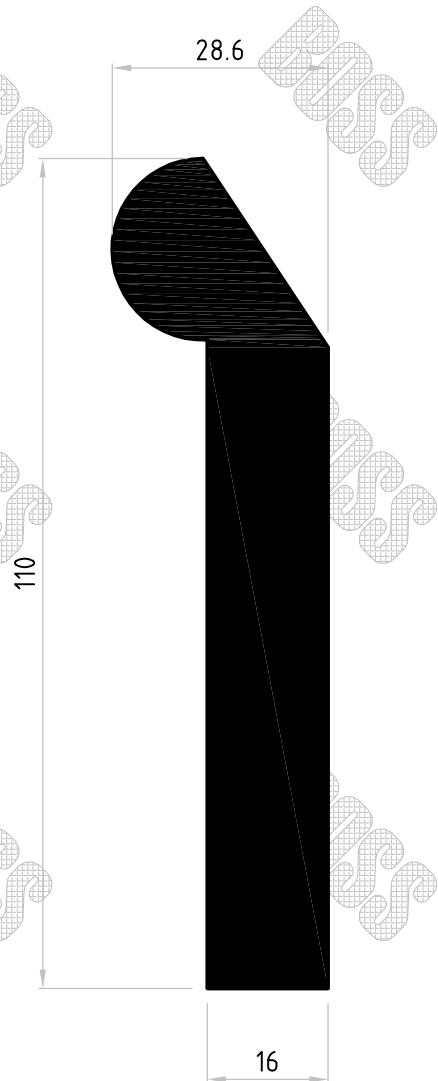
Part No. D03039



Part No. D03665



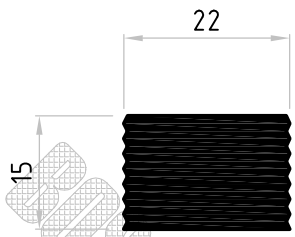
Part No. D03516



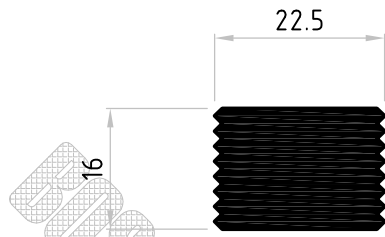
Part No. D02962

\* Profile drawings appearing in this section are indicative only. some profiles may be restricted to specific customers, patents and or other limitations, The material displayed on this page may not be reprinted or otherwise reproduced without the express written permission of Boss Polymer Technologies.

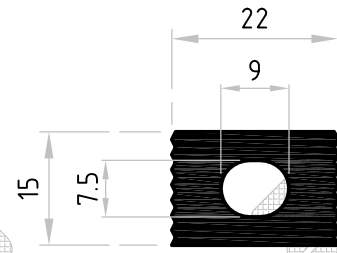
BOSS POLYMER TECHNOLOGIES PTY LTD  
Melbourne Australia  
PH: (613) 9561 2777  
FAX: (613) 9560 8777  
www.bosspolymer.com.au  
E-MAIL: sales@bosspolymer.com.au



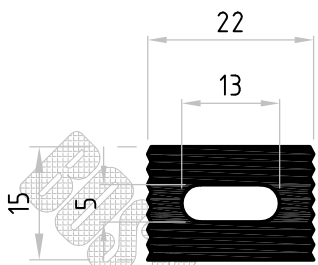
Part No. D02161



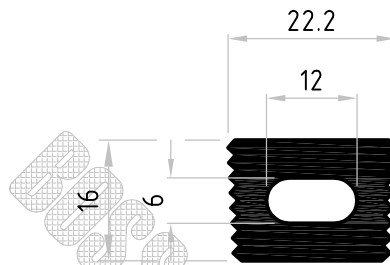
Part No. D03094



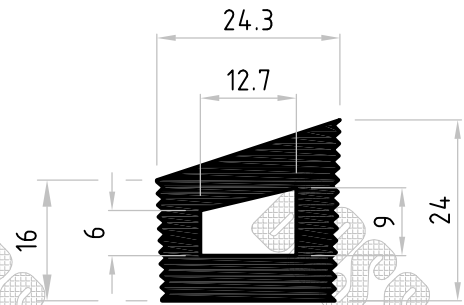
Part No. D02168



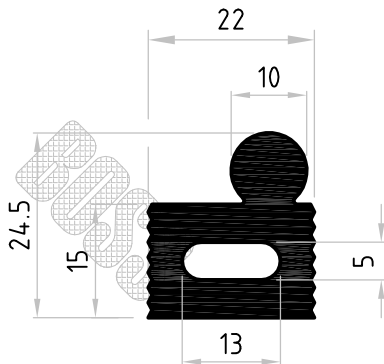
Part No. D02162



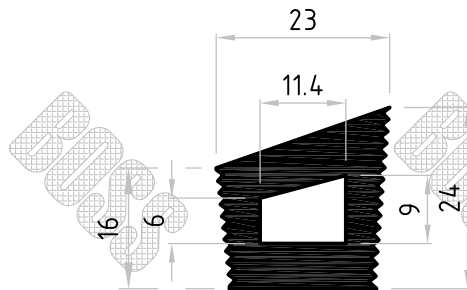
Part No. D02623



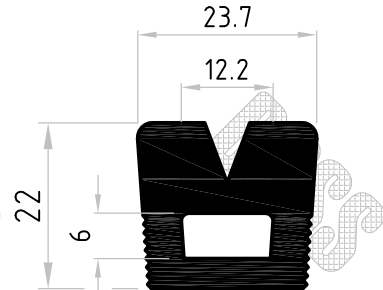
Part No. D02359



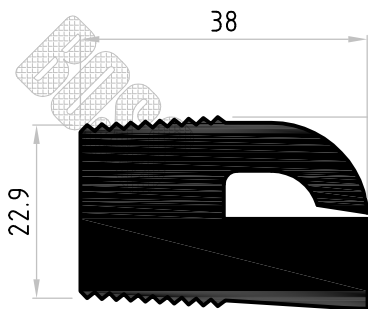
Part No. D02163



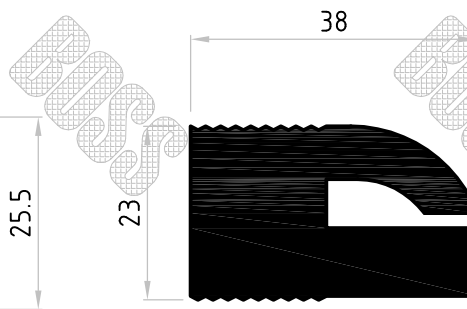
Part No. D02606



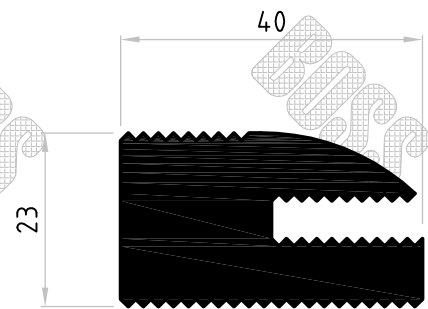
Part No. D02200  
Part No. D01046



Part No. D02360



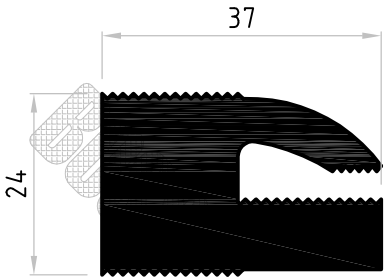
Part No. D02160



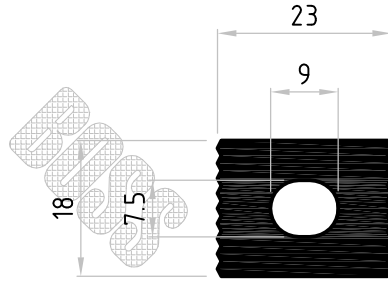
Part No. D03093

\* Profile drawings appearing in this section are indicative only. some profiles may be restricted to specific customers, patents and or other limitations. The material displayed on this page may not be reprinted or otherwise reproduced without the express written permission of Boss Polymer Technologies.

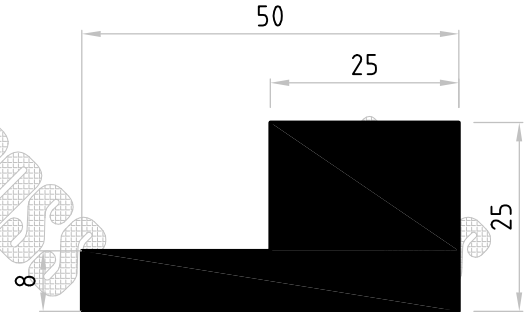
BOSS POLYMER TECHNOLOGIES PTY LTD  
Melbourne Australia  
PH: (613) 9561 2777  
FAX: (613) 9560 8777  
www.bosspolymer.com.au  
E-MAIL: sales@bosspolymer.com.au



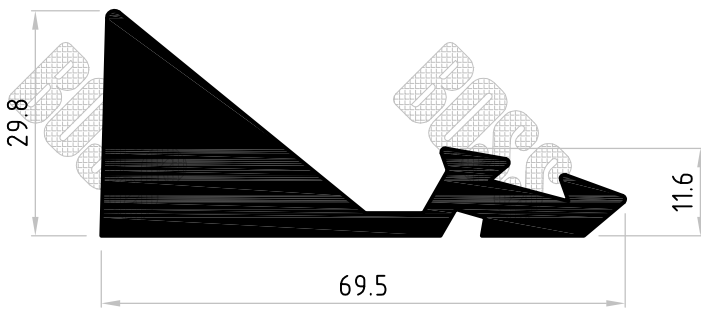
Part No. D02615



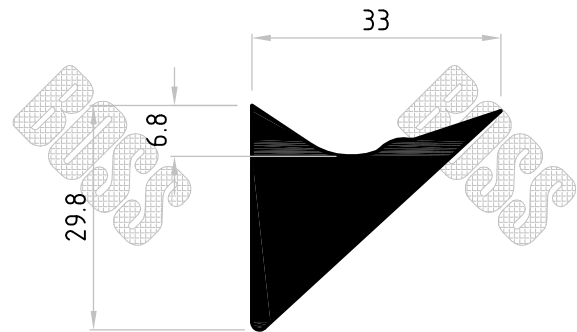
Part No. D02543



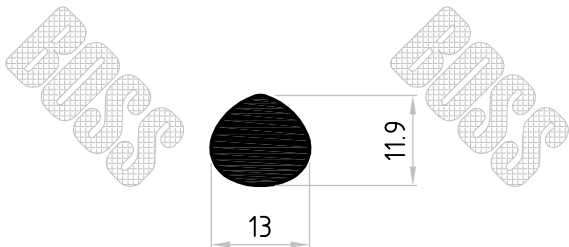
Part No. D02847



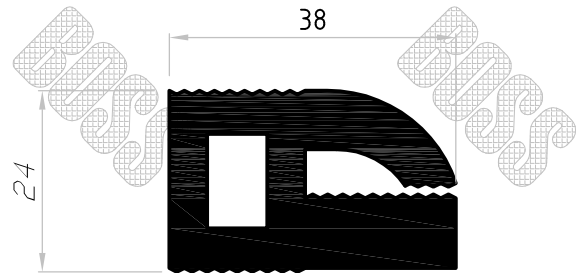
Part No. D02326



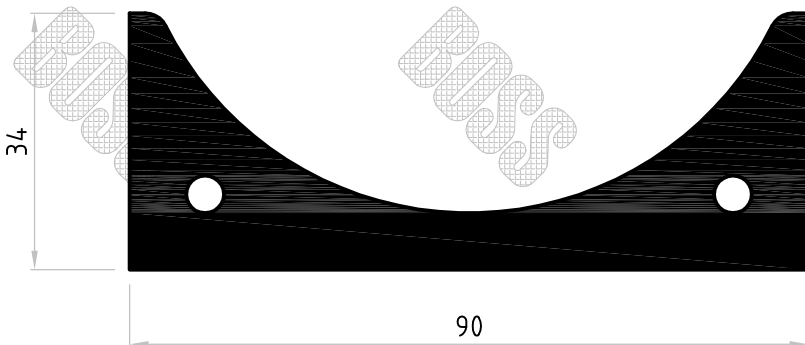
Part No. D02279



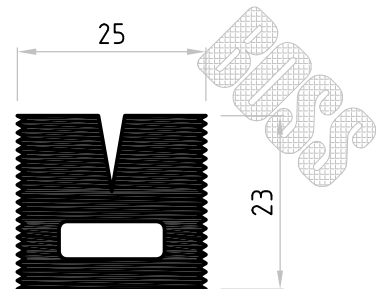
Part No. D01062



Part No. D02361



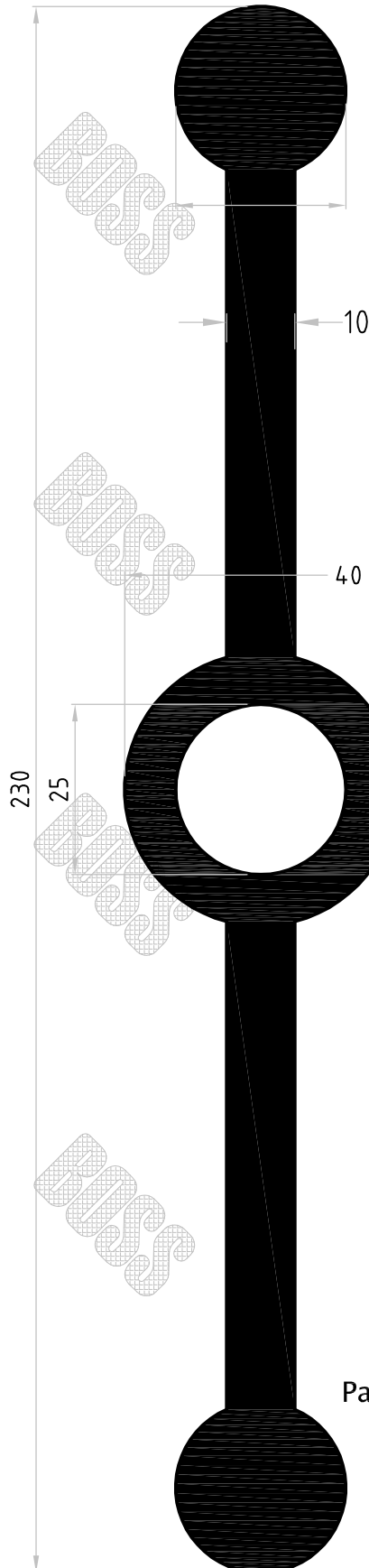
Part No. D03025



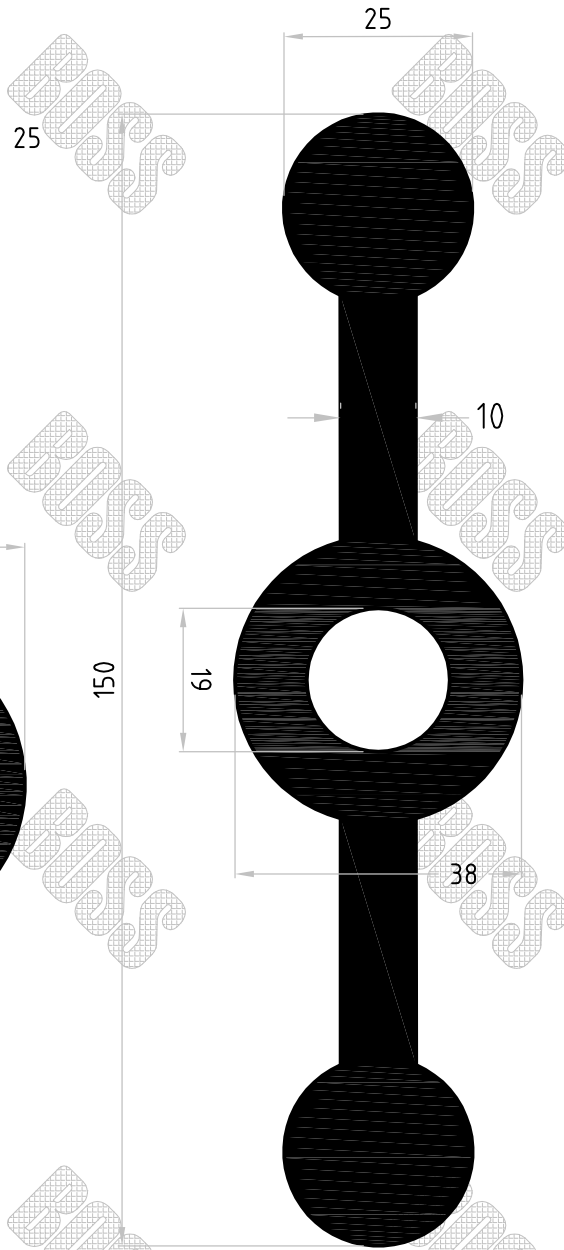
Part No. D03125

\* Profile drawings appearing in this section are indicative only. some profiles may be restricted to specific customers, patents and or other limitations, The material displayed on this page may not be reprinted or otherwise reproduced without the express written permission of Boss Polymer Technologies.

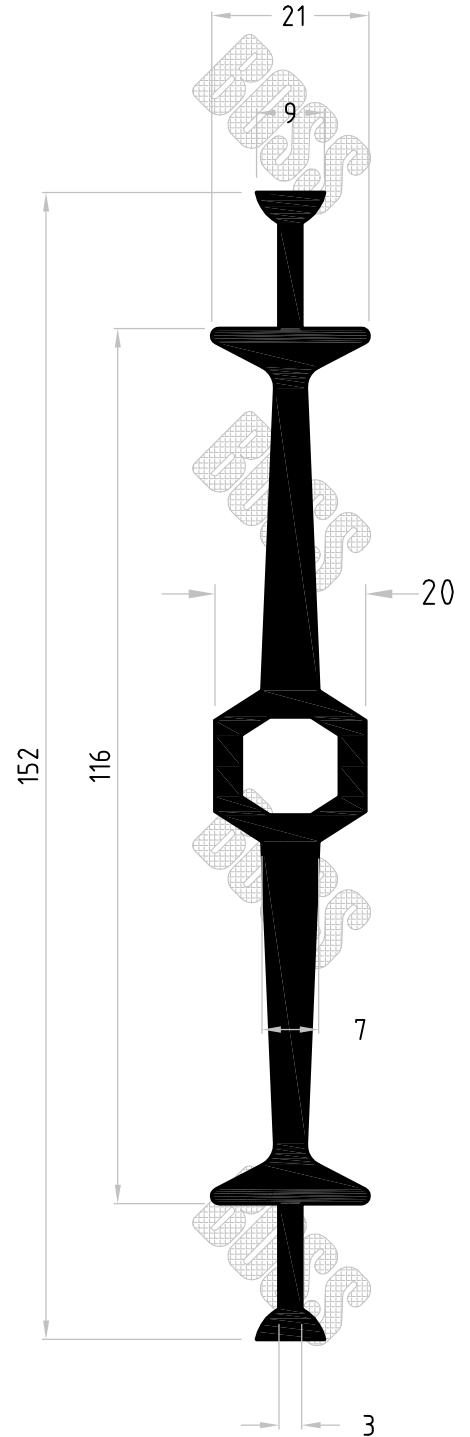
BOSS POLYMER TECHNOLOGIES PTY LTD  
Melbourne Australia  
PH: (613) 9561 2777  
FAX: (613) 9560 8777  
www.bosspolymer.com.au  
E-MAIL: sales@bosspolymer.com.au



Part No. DOO749



Part No. DOO910

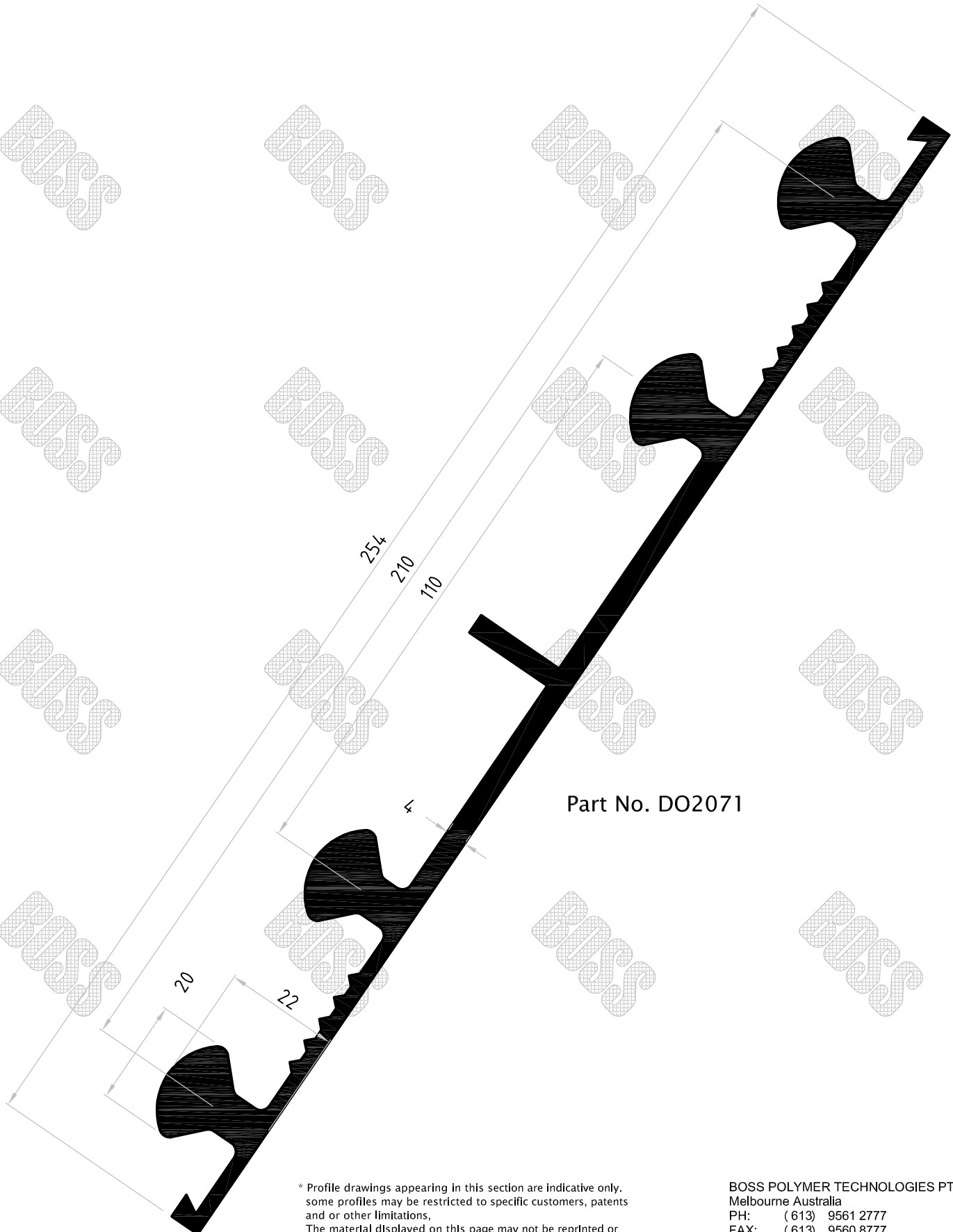


Part No. DO2073

\* Profile drawings appearing in this section are indicative only. some profiles may be restricted to specific customers, patents and or other limitations, The material displayed on this page may not be reprinted or otherwise reproduced without the express written permission of Boss Polymer Technologies.

BOSS POLYMER TECHNOLOGIES PTY LTD  
Melbourne Australia  
PH: (613) 9561 2777  
FAX: (613) 9560 8777  
www.bosspolymer.com.au  
E-MAIL: sales@bosspolymer.com.au

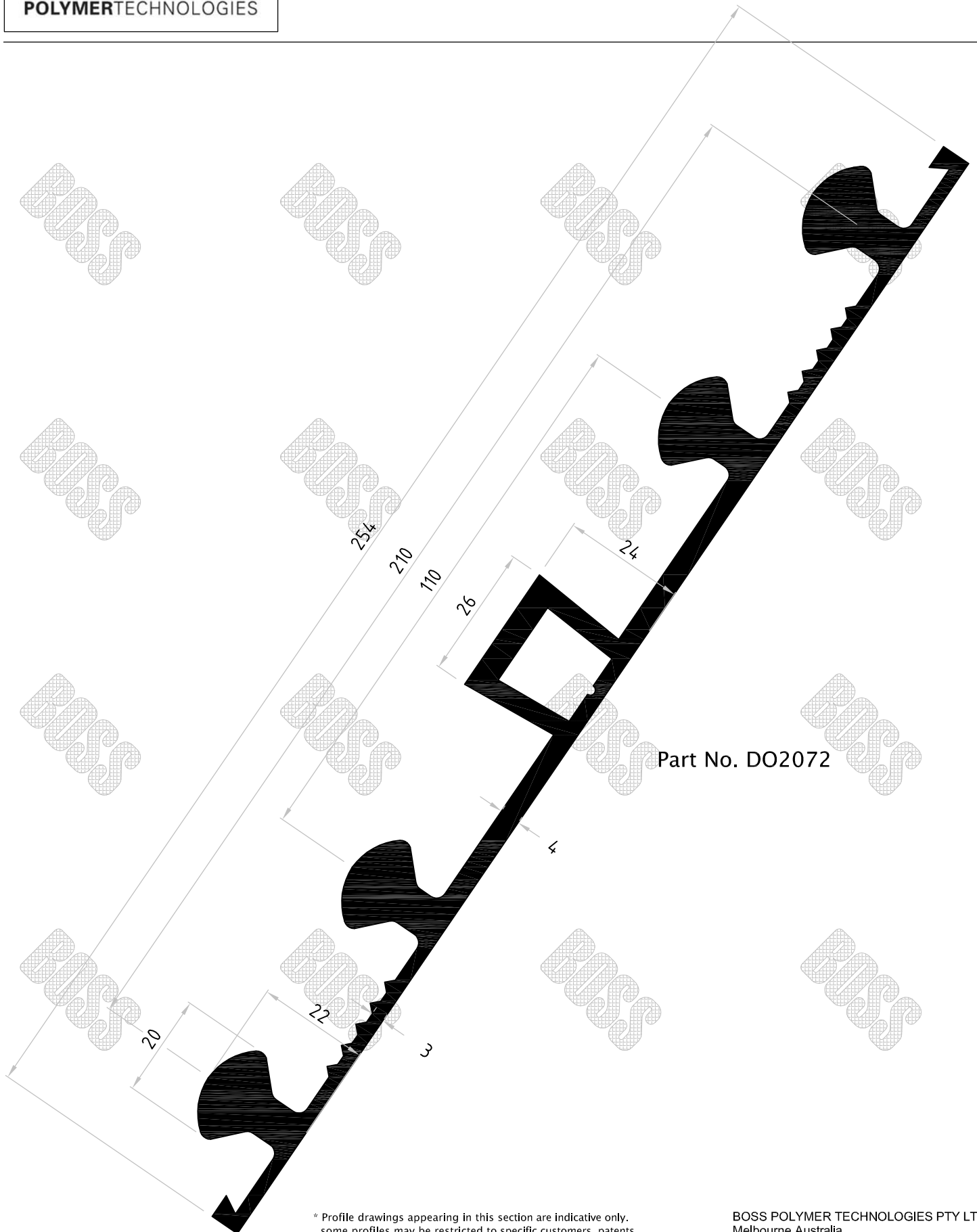




Part No. DO2071

\* Profile drawings appearing in this section are indicative only. some profiles may be restricted to specific customers, patents and or other limitations, The material displayed on this page may not be reprinted or otherwise reproduced without the express written permission of Boss Polymer Technologies.

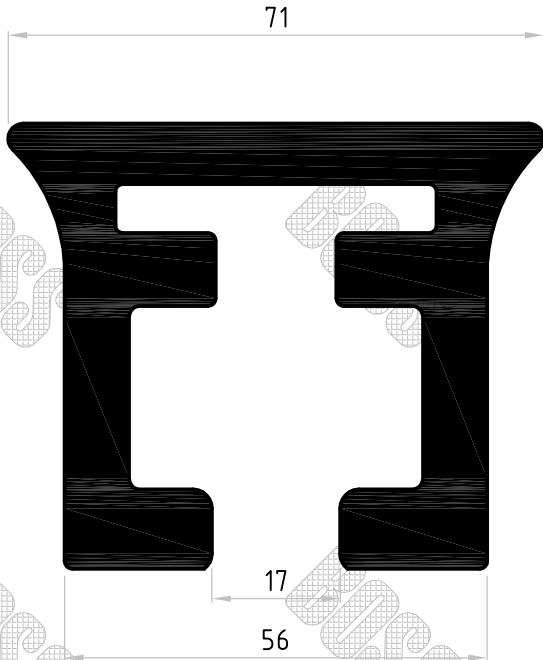
BOSS POLYMER TECHNOLOGIES PTY LTD  
Melbourne Australia  
PH: (613) 9561 2777  
FAX: (613) 9560 8777  
www.bosspolymer.com.au  
E-MAIL: sales@bosspolymer.com.au



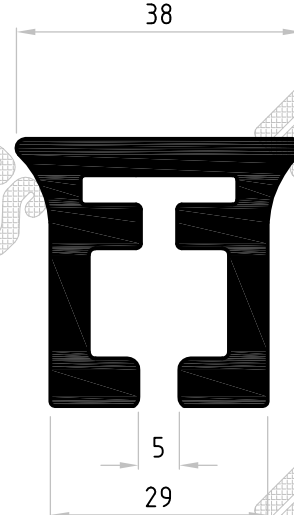
Part No. DO2072

\* Profile drawings appearing in this section are indicative only. some profiles may be restricted to specific customers, patents and or other limitations, The material displayed on this page may not be reprinted or otherwise reproduced without the express written permission of Boss Polymer Technologies.

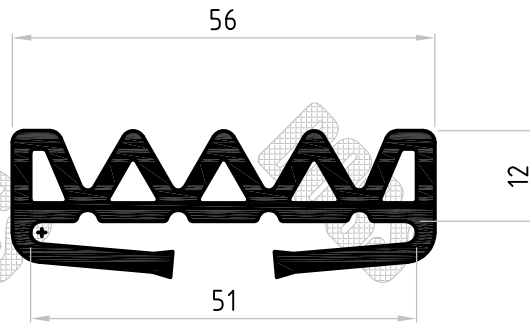
BOSS POLYMER TECHNOLOGIES PTY LTD  
Melbourne Australia  
PH: (613) 9561 2777  
FAX: (613) 9560 8777  
www.bosspolymer.com.au  
E-MAIL: sales@bosspolymer.com.au



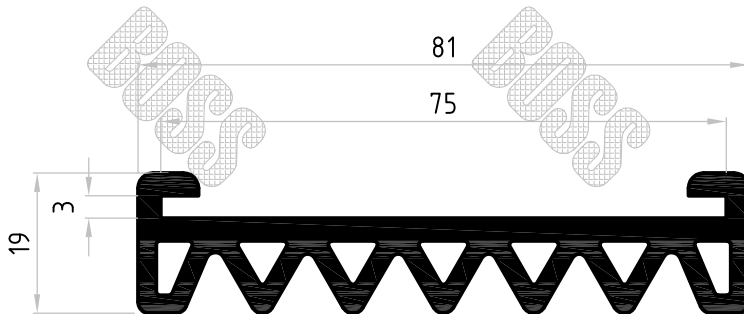
Part No. SK-2728



Part No. SK-2729



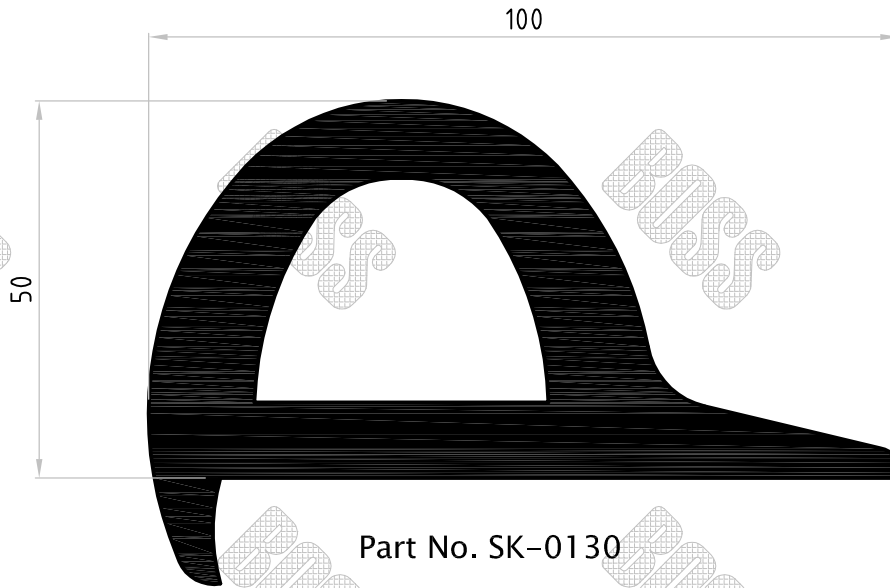
Part No. D03190



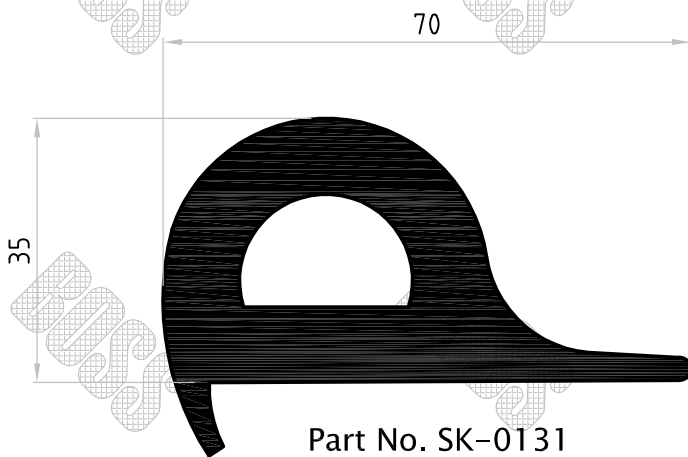
Part No. D03386

\* Profile drawings appearing in this section are indicative only. some profiles may be restricted to specific customers, patents and or other limitations, The material displayed on this page may not be reprinted or otherwise reproduced without the express written permission of Boss Polymer Technologies.

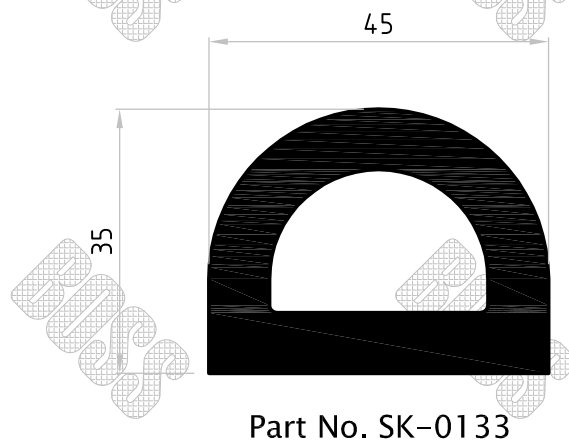
BOSS POLYMER TECHNOLOGIES PTY LTD  
Melbourne Australia  
PH: (613) 9561 2777  
FAX: (613) 9560 8777  
www.bosspolymer.com.au  
E-MAIL: sales@bosspolymer.com.au



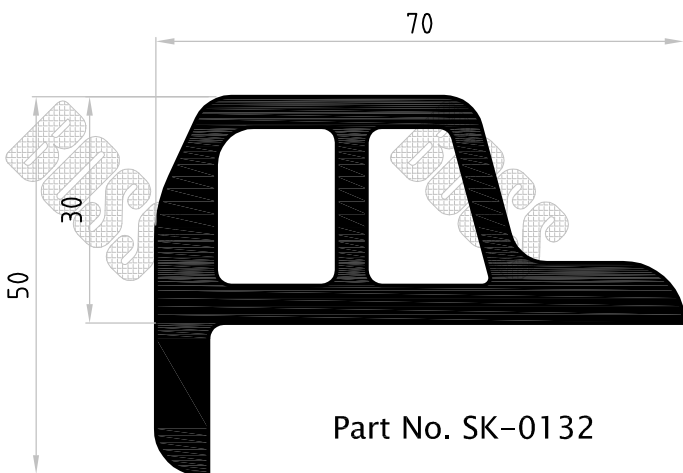
Part No. SK-0130



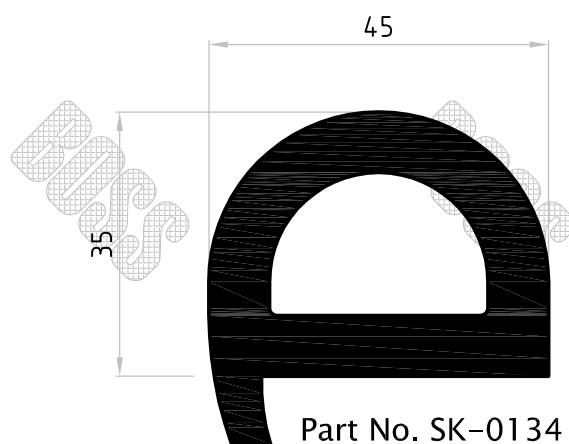
Part No. SK-0131



Part No. SK-0133



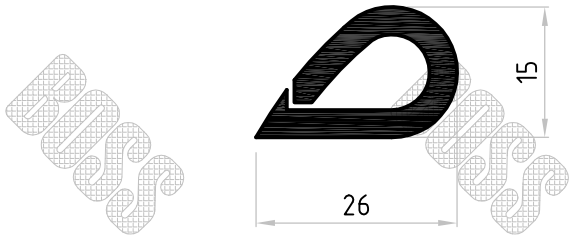
Part No. SK-0132



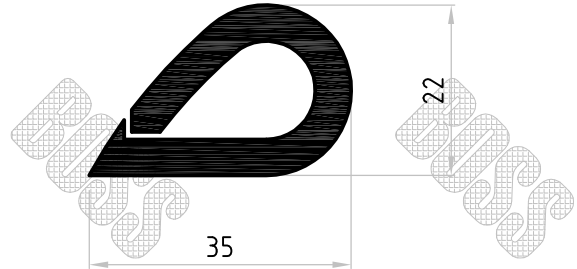
Part No. SK-0134

\* Profile drawings appearing in this section are indicative only. some profiles may be restricted to specific customers, patents and or other limitations, The material displayed on this page may not be reprinted or otherwise reproduced without the express written permission of Boss Polymer Technologies.

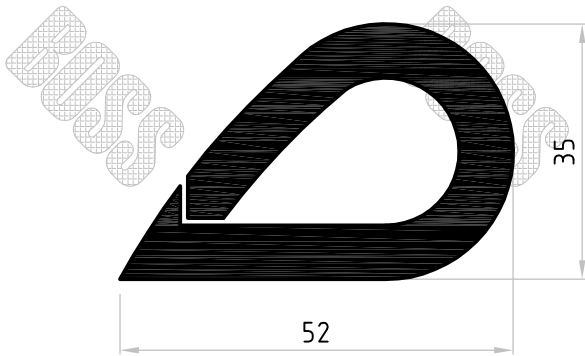
BOSS POLYMER TECHNOLOGIES PTY LTD  
Melbourne Australia  
PH: (613) 9561 2777  
FAX: (613) 9560 8777  
www.bosspolymer.com.au  
E-MAIL: sales@bosspolymer.com.au



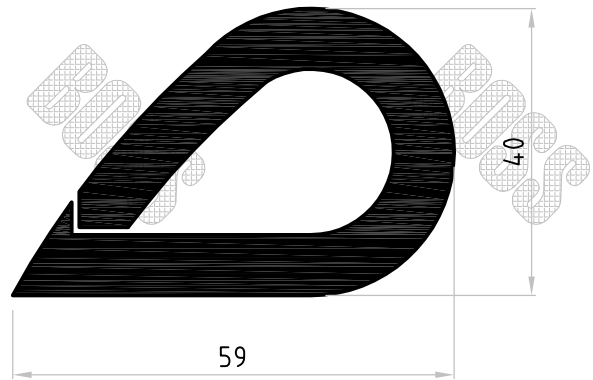
Part No. D03370



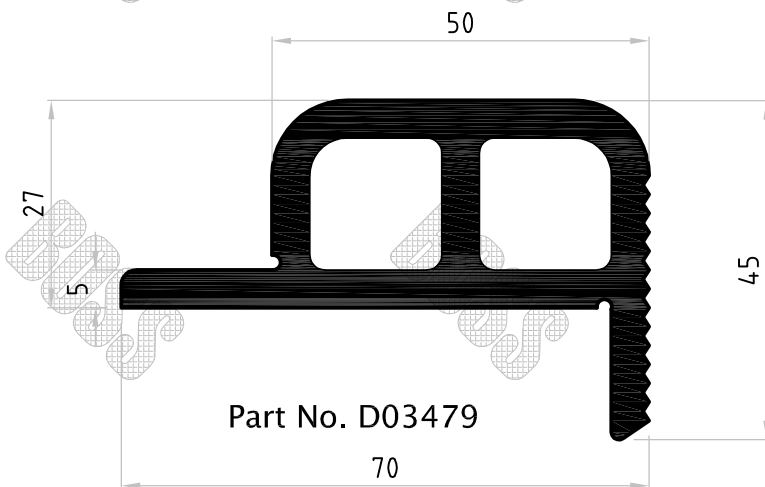
Part No. D03371



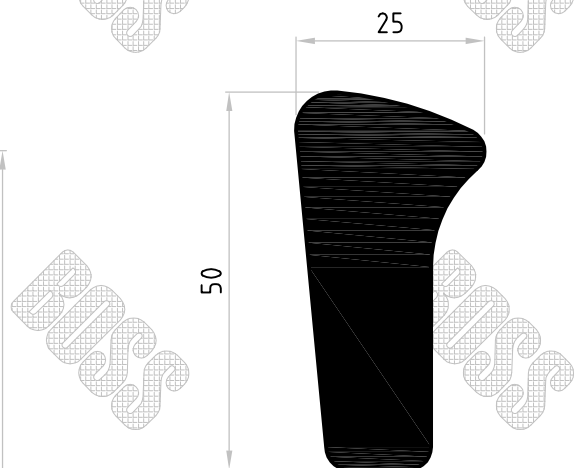
Part No. D03372



Part No. D03373



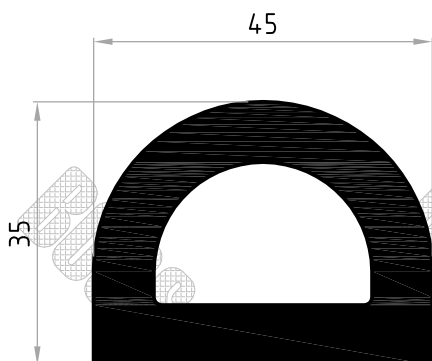
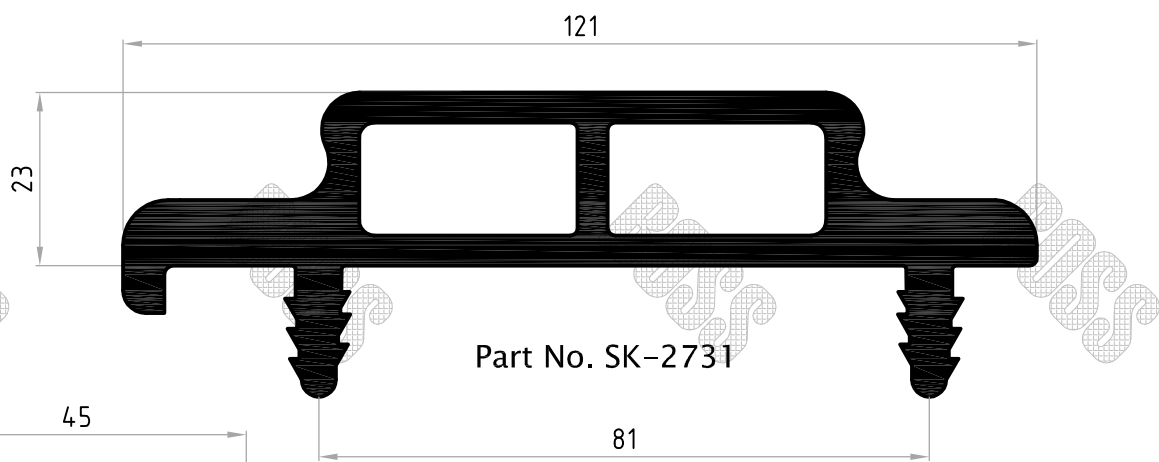
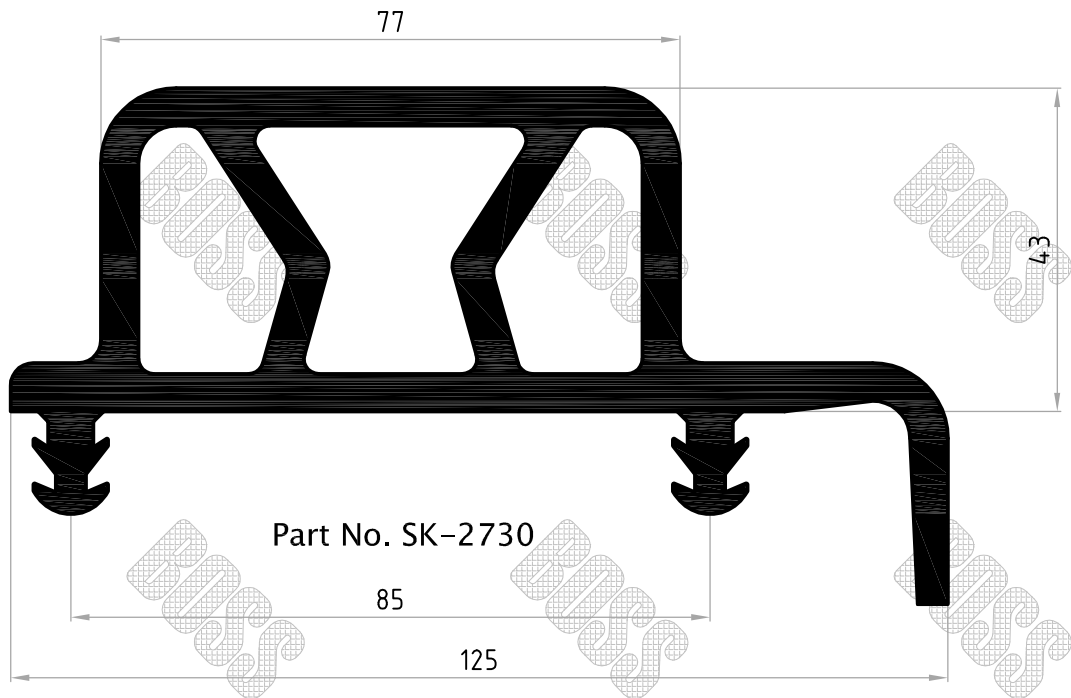
Part No. D03479



Part No. D00454

\* Profile drawings appearing in this section are indicative only. some profiles may be restricted to specific customers, patents and or other limitations, The material displayed on this page may not be reprinted or otherwise reproduced without the express written permission of Boss Polymer Technologies.

BOSS POLYMER TECHNOLOGIES PTY LTD  
Melbourne Australia  
PH: (613) 9561 2777  
FAX: (613) 9560 8777  
www.bosspolymer.com.au  
E-MAIL: sales@bosspolymer.com.au



**NOTE:- SOME PROFILES APPEARING ON THIS PAGE  
HAVE BEEN ALTERED TO PROTECT CLIENT CONFIDENTIALITY**

\* Profile drawings appearing in this section are indicative only. some profiles may be restricted to specific customers, patents and or other limitations, The material displayed on this page may not be reprinted or otherwise reproduced without the express written permission of Boss Polymer Technologies.

BOSS POLYMER TECHNOLOGIES PTY LTD  
Melbourne Australia  
PH: (613) 9561 2777  
FAX: (613) 9560 8777  
www.bosspolymer.com.au  
E-MAIL: sales@bosspolymer.com.au