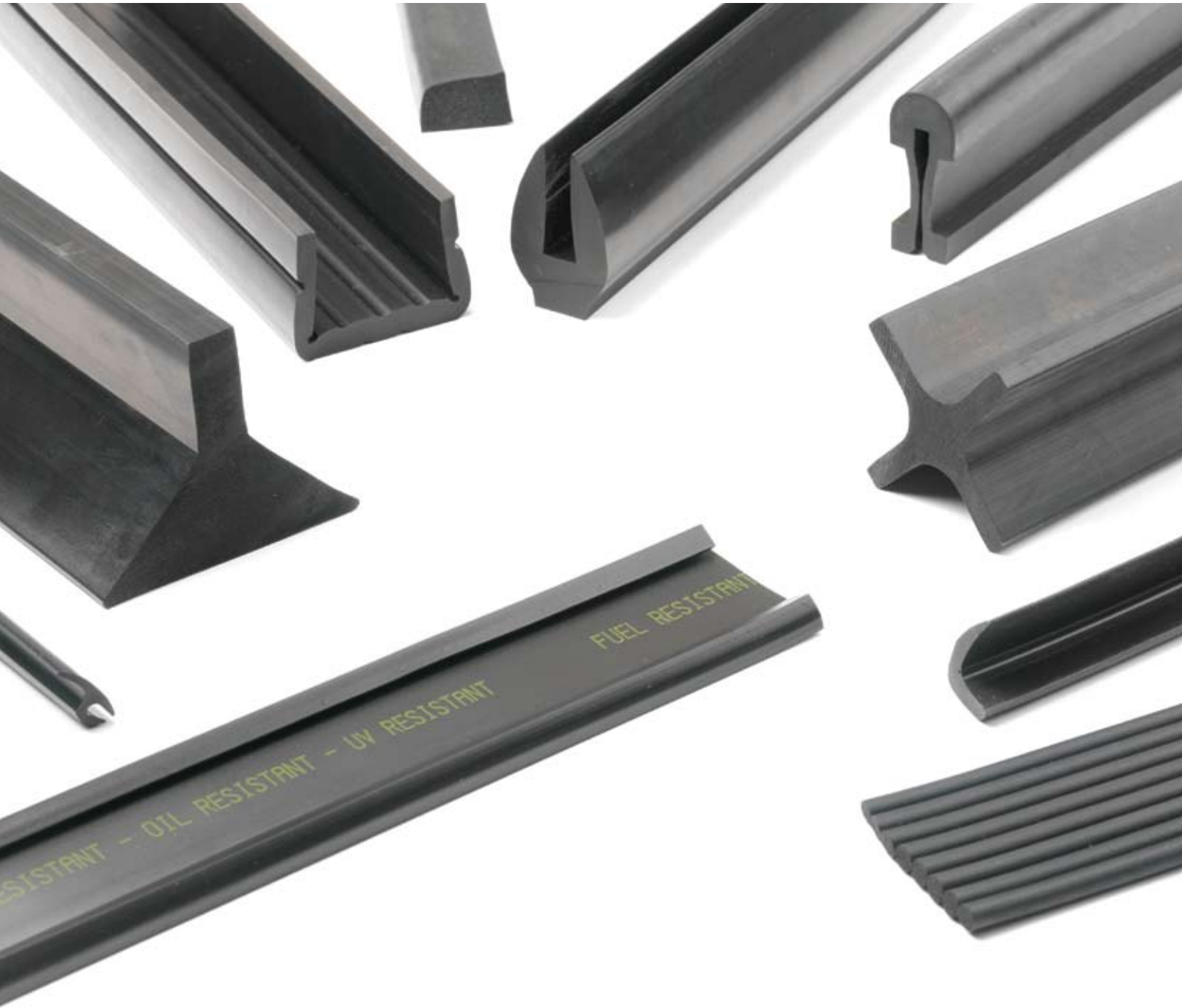




Your Engineering Partner for

Industrial & Manufacturing Extrusions



Contents

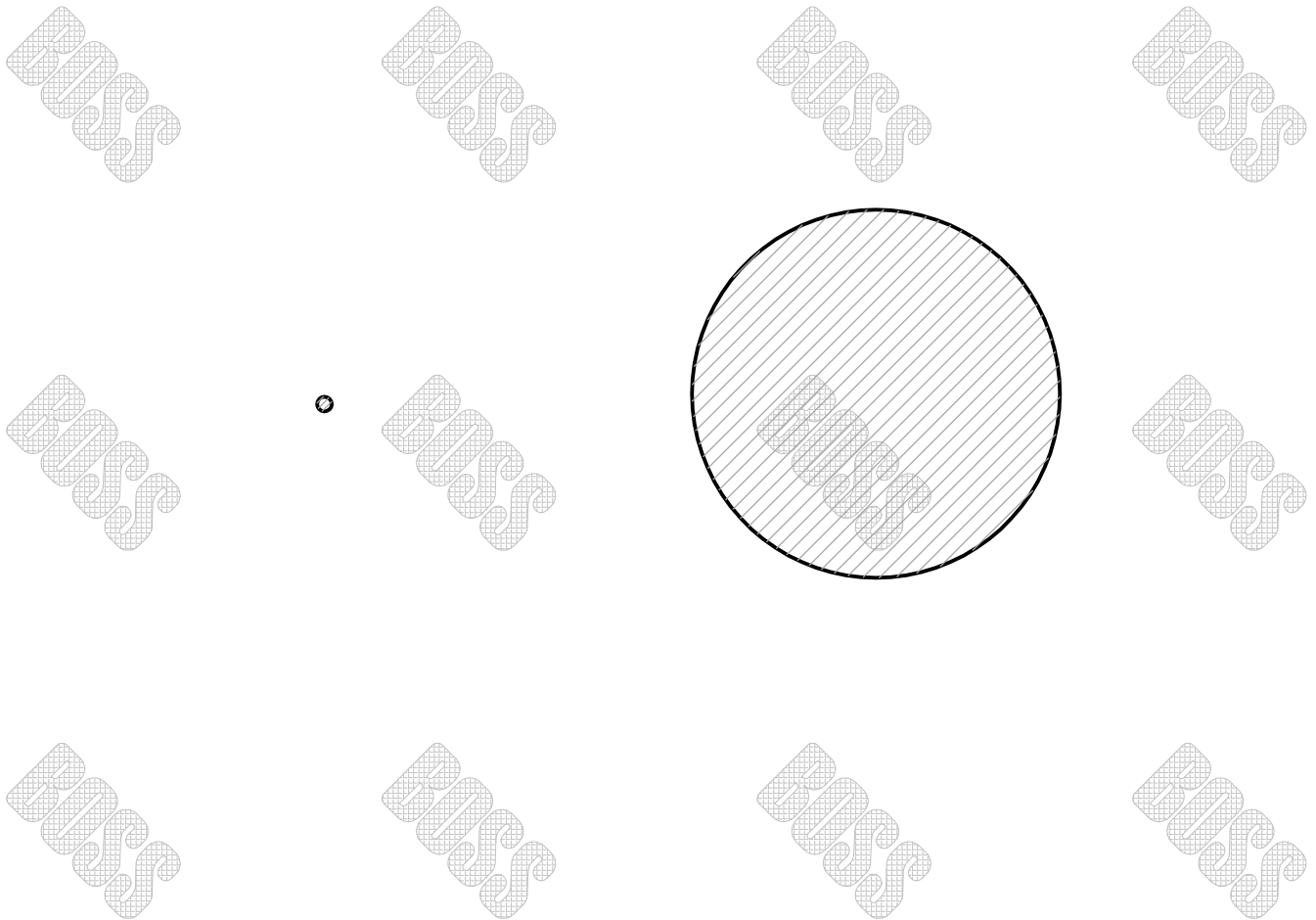
Industrial & Manufacturing Extrusions

2.1.0	Cord – Solid
2.1.1	Cord – Sponge
2.2.0	Tube – Solid
2.2.1	Tube – Sponge
2.3.0	Square, Rectangle & Strip – Solid
2.3.1	Square, Rectangle & Strip – Sponge
2.5.0	“e” Seals
2.6.0	“P” Seals
2.7.0	Lip Seals
2.8.0	Bulb Seals
2.9.0	Autoclave Seals
2.10.0	Inflatable Seals
2.11.0	Cool-Room & Fridge Gaskets seals and Bases
2.12.0	Bottle Gripper
2.13.0	Flat Tubes and Gripper Tubes
2.14.0	U/C Sections
2.15.0	D Shape
2.16.0	L Shape
2.17.0	T,t Shape
2.18.0	Square & Rectangle with cavities
2.19.0	Miscellaneous Profiles



Cord Soild Extrusions

We produce a complete range of sizes from 2.0 mm to 50.0 mm in most thermoset & TPV materials.



Contact us for price and availability of your requirements.



* Profile drawings appearing in this section are indicative only. some profiles may be restricted to specific customers.

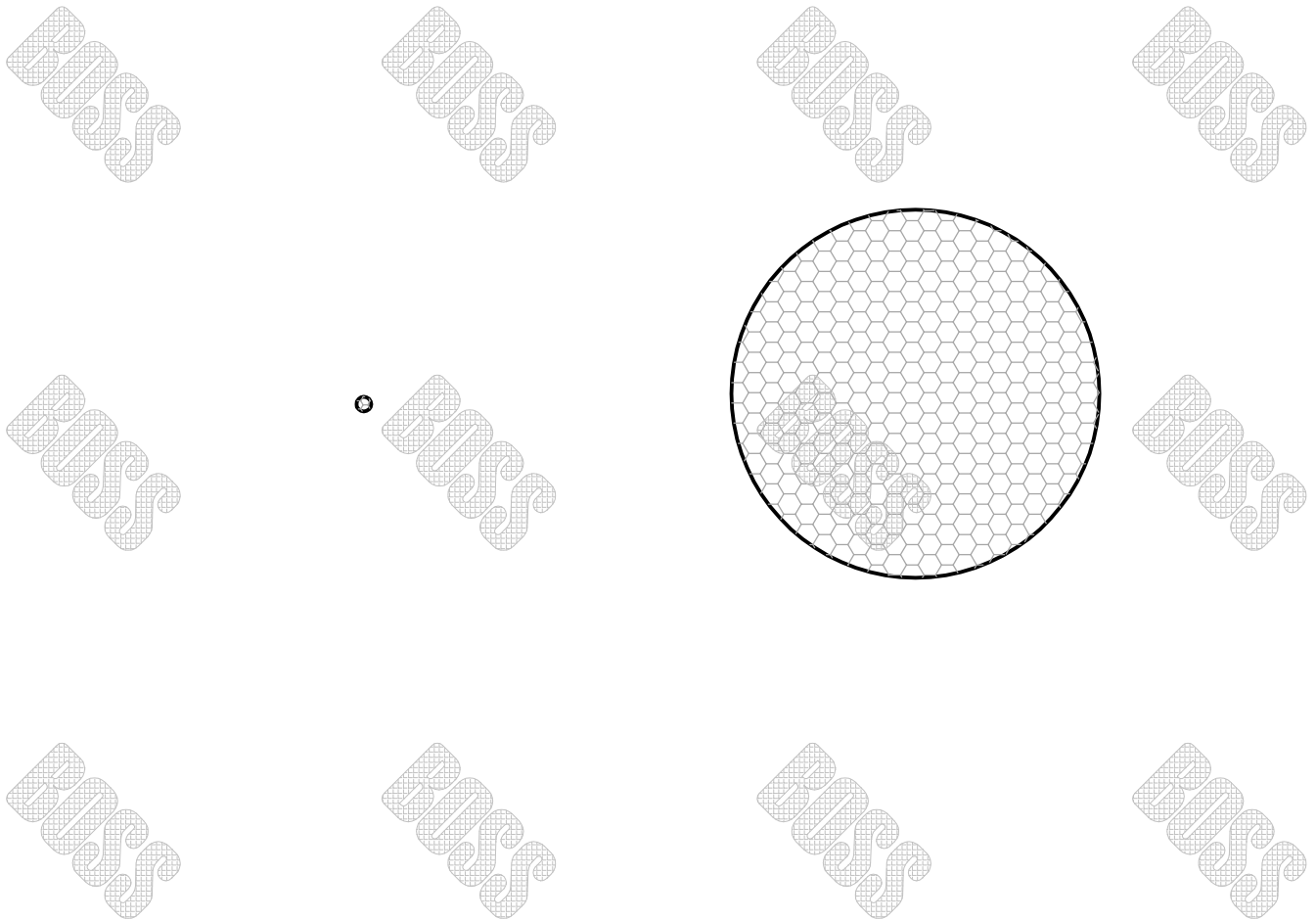
The material displayed on this page may not be reprinted or otherwise reproduced without the express written permission of Boss Polymer Technologies.

BOSS POLYMER TECHNOLOGIES PTY LTD
Melbourne Australia
PH: (613) 9561 2777
FAX: (613) 9560 8777
www.bosspolymer.com.au
E-MAIL: sales@bosspolymer.com.au

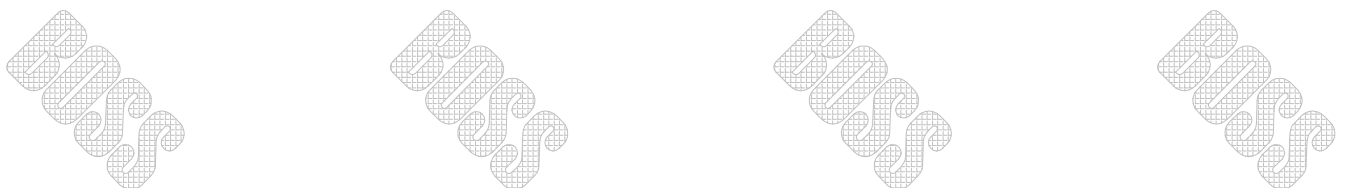


Cord Sponge Extrusions

We produce a complete range of sizes from 2.0 mm to 50.0 mm in EPDM, Neoprene, Nitrile & Silicone



Contact us for price and availability of your requirements.



* Profile drawings appearing in this section are indicative only. some profiles may be restricted to specific customers.

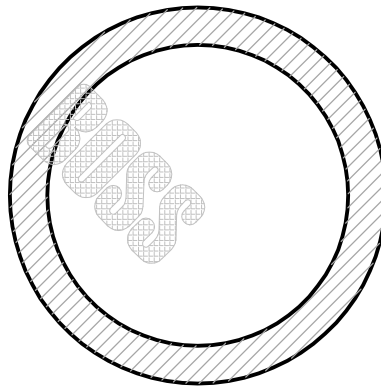
The material displayed on this page may not be reprinted or otherwise reproduced without the express written permission of Boss Polymer Technologies.

BOSS POLYMER TECHNOLOGIES PTY LTD
Melbourne Australia
PH: (613) 9561 2777
FAX: (613) 9560 8777
www.bosspolymer.com.au
E-MAIL: sales@bosspolymer.com.au



Tube Solid Extrusions

We produce a complete range of sizes from 3.0mm x 1.0mm wall to 50.0mm x 5.0mm wall in most thermoset & TPV materials.



Contact us for price and availability of your requirements.

* Profile drawings appearing in this section are indicative only. some profiles may be restricted to specific customers.

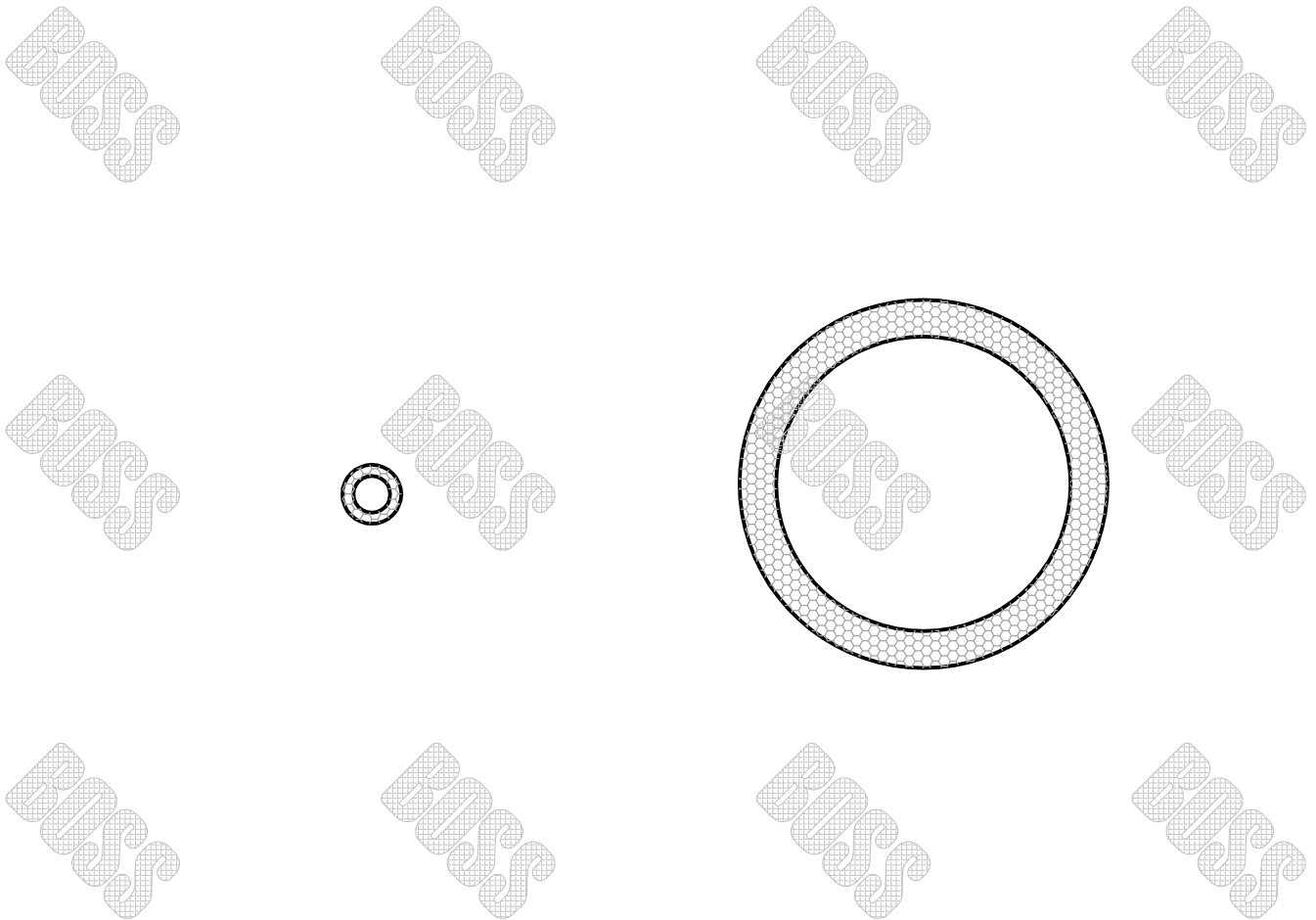
The material displayed on this page may not be reprinted or otherwise reproduced without the express written permission of Boss Polymer Technologies.

BOSS POLYMER TECHNOLOGIES PTY LTD
Melbourne Australia
PH: (613) 9561 2777
FAX: (613) 9560 8777
www.bosspolymer.com.au
E-MAIL: sales@bosspolymer.com.au



Tube Sponge Extrusions

We produce a complete range of sizes from 5.0mm x 1.5mm wall to 50.0 mm x 5.0mm wall in EPDM, Neoprene, Nitrile & Silicone



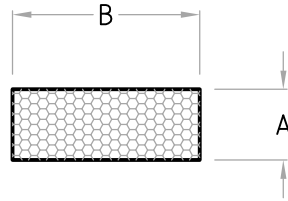
Contact us for price and availability of your requirements.



* Profile drawings appearing in this section are indicative only. some profiles may be restricted to specific customers.

The material displayed on this page may not be reprinted or otherwise reproduced without the express written permission of Boss Polymer Technologies.

BOSS POLYMER TECHNOLOGIES PTY LTD
Melbourne Australia
PH: (613) 9561 2777
FAX: (613) 9560 8777
www.bosspolymer.com.au
E-MAIL: sales@bosspolymer.com.au



Rectangular Sponge Extrusions

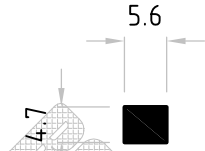
Below is our stock range of Rectangular Sponge Extrusion Available in Black EPDM in 30 Metre Coils

Dimension A mm x Bmm	Dimension A mm x Bmm	Dimension A mm x Bmm	Dimension A mm x Bmm
1.5 x 25	6 x 28	13 x 25	22 x 38
3 x 8	6 x 44	13 x 38	22 x 50
3 x 13	6 x 50	13 x 44	25 x 25
3 x 22	6 x 70	13 x 50	25 x 28
3 x 25	8 x 10	16 x 16	25 x 32
3 x 32	8 x 15	16 x 19	25 x 38
3 x 38	10 x 10	16 x 25	25 x 44
4.5 x 10	10 x 13	16 x 32	25 x 50
4.5 x 17.5	10 x 19	16 x 35	28 x 32
4.5 x 25	10 x 25	16 x 38	28 x 38
4.5 x 30	10 x 32	16 x 44	28 x 44
4.5 x 38	10 x 38	16 x 50	28 x 50
5 x 5	10 x 50	19 x 19	28 x 60
5 x 13	10 x 100	19 x 25	32 x 32
6 x 6	11.5 x 11.5	19 x 32	32 x 38
6 x 8	12.5 x 22	19 x 38	32 x 44
6 x 10	12.5 x 50	19 x 44	32 x 50
6 x 13	13 x 13	19 x 50	32 x 58
6 x 19	13 x 16	22 x 22	38 x 38
6 x 25	13 x 19	22 x 25	38 x 50
6 x 32	13 x 22	22 x 32	50 x 50

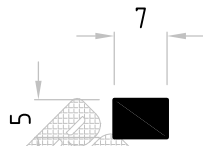
A Complete Range of Custom Rectangular Sponge in EPDM, Nitrile, Neoprene and Silicone is Available on Request.
PSA Taping is also Available for Most Sizes and Materials.

* Profile drawings appearing in this section are indicative only. some profiles may be restricted to specific customers.

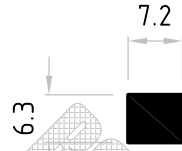
The material displayed on this page may not be reprinted or otherwise reproduced without the express written permission of Boss Polymer Technologies.



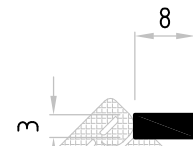
Part No. D02226



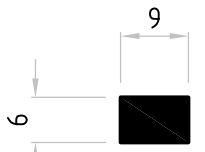
Part No. D01063



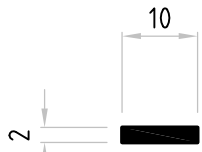
Part No. D02632



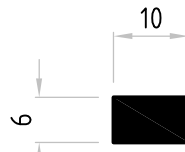
Part No. D03026



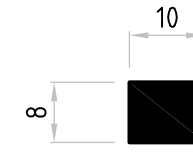
Part No. D02896



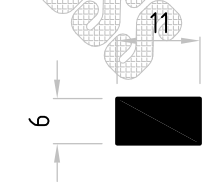
Part No. D03168



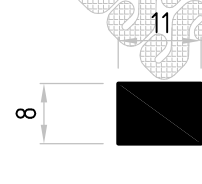
Part No. D02670



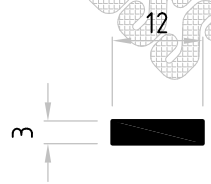
Part No. D02441



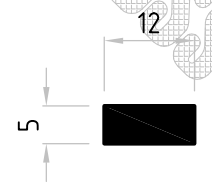
Part No. D02603



Part No. D02671

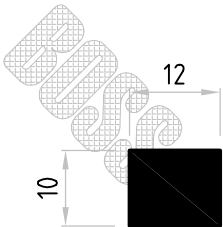


Part No. D00422

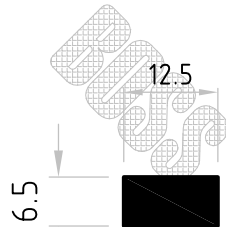


Part No. D02342

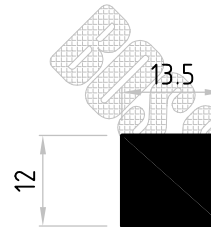
Part No. D00423



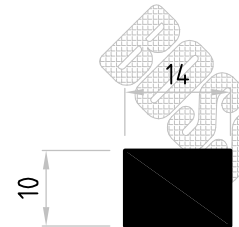
Part No. D00424



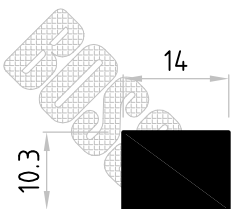
Part No. D02869



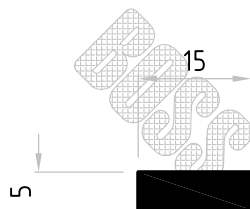
Part No. D02239



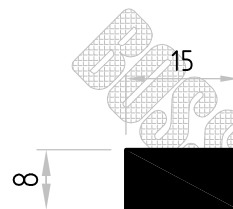
Part No. D02023



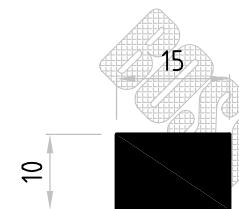
Part No. D02532



Part No. D00937



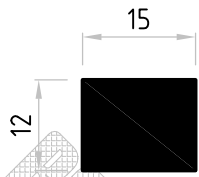
Part No. D02260



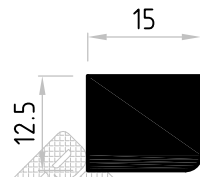
Part No. D00993

* Profile drawings appearing in this section are indicative only. some profiles may be restricted to specific customers, patents and or other limitations. The material displayed on this page may not be reprinted or otherwise reproduced without the express written permission of Boss Polymer Technologies.

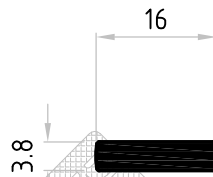
BOSS POLYMER TECHNOLOGIES PTY LTD
Melbourne Australia
PH: (613) 9561 2777
FAX: (613) 9560 8777
www.bosspolymer.com.au
E-MAIL: sales@bosspolymer.com.au



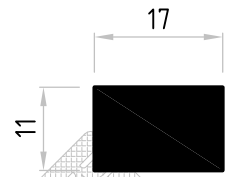
Part No. D00429



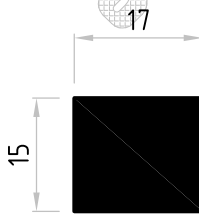
Part No. D01091



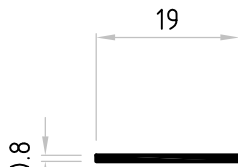
Part No. D00210



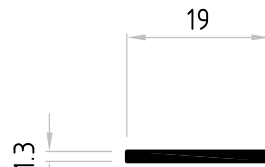
Part No. D02649



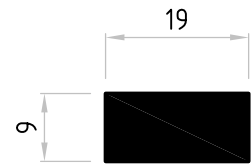
Part No. D02707



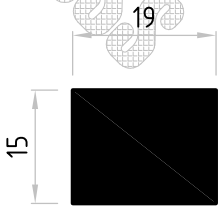
Part No. D02302



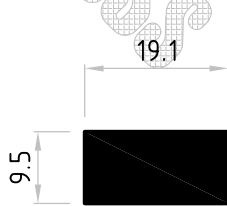
Part No. D02294



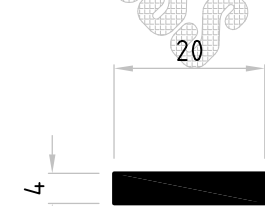
Part No. D02224



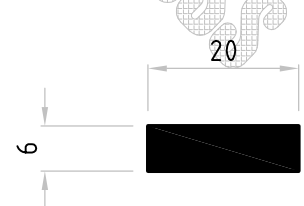
Part No. D02269



Part No. D00748

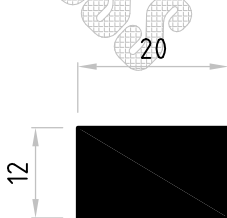


Part No. D02159

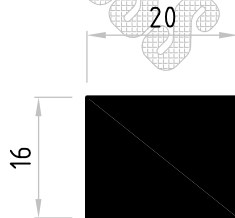


Part No. D02113

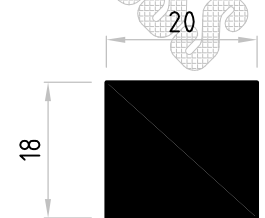
Part No. D02454



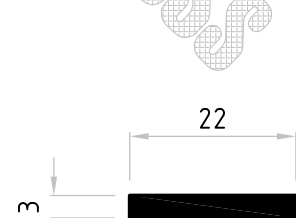
Part No. D02473



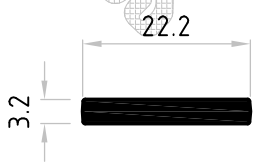
Part No. D02849



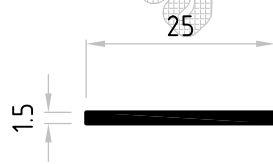
Part No. D02610



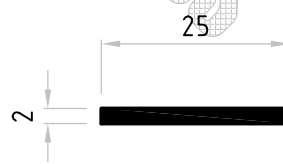
Part No. D02697



Part No. D02652



Part No. D02918



Part No. D00946

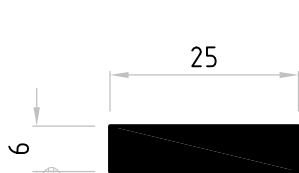


Part No. D02010

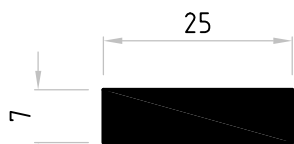
Part No. D02357

* Profile drawings appearing in this section are indicative only. some profiles may be restricted to specific customers, patents and or other limitations. The material displayed on this page may not be reprinted or otherwise reproduced without the express written permission of Boss Polymer Technologies.

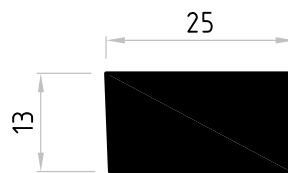
BOSS POLYMER TECHNOLOGIES PTY LTD
Melbourne Australia
PH: (613) 9561 2777
FAX: (613) 9560 8777
www.bosspolymer.com.au
E-MAIL: sales@bosspolymer.com.au



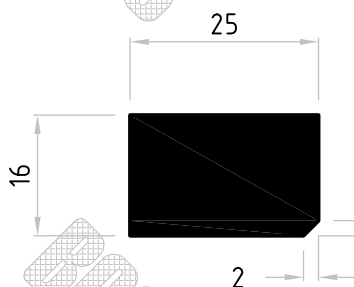
Part No. D01086
Part No. D02285



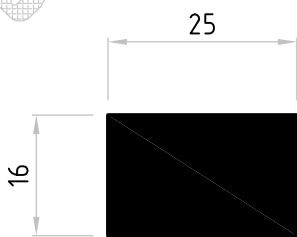
Part No. D00945



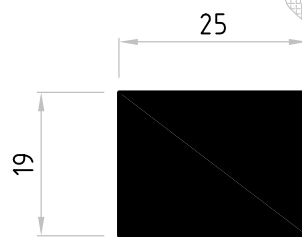
Part No. D02641



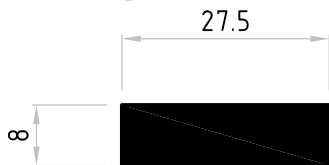
Part No. D02666



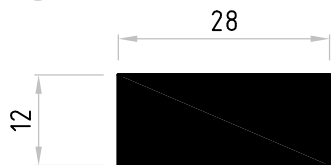
Part No. D00828
Part No. D02388



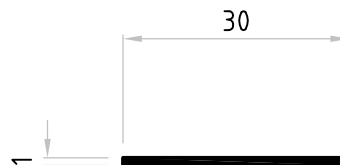
Part No. D03022



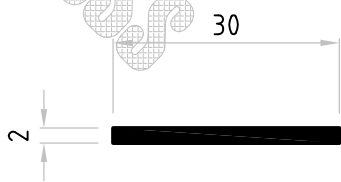
Part No. D02449



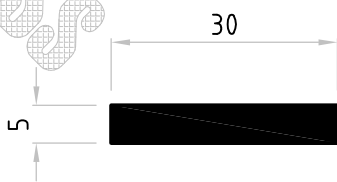
Part No. D01037



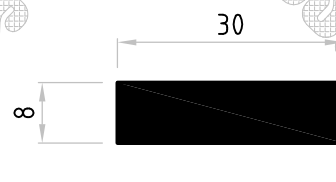
Part No. D02479



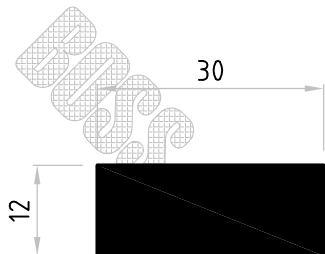
Part No. D02109



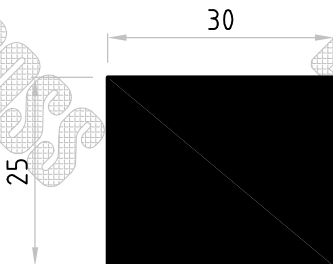
Part No. D02619



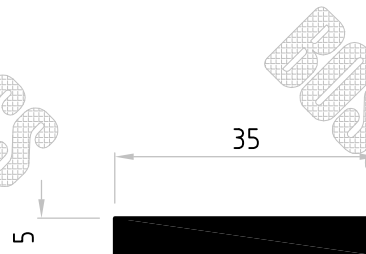
Part No. D02295



Part No. D02547
Part No. D03005



Part No. D02301
Part No. D03001
Part No. D02296

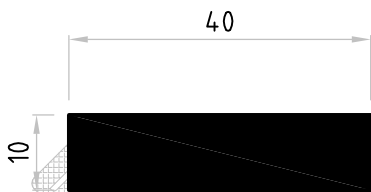


Part No. D00556
Part No. D00555

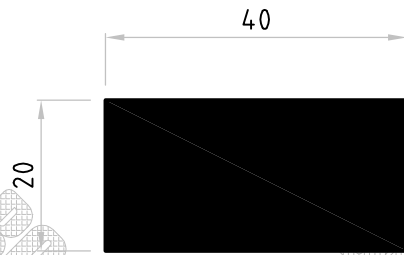
* Profile drawings appearing in this section are indicative only. some profiles may be restricted to specific customers, patents and or other limitations, The material displayed on this page may not be reprinted or otherwise reproduced without the express written permission of Boss Polymer Technologies.



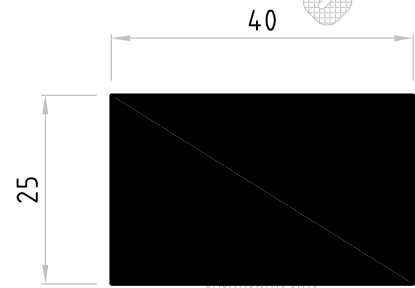
Part No. D02448



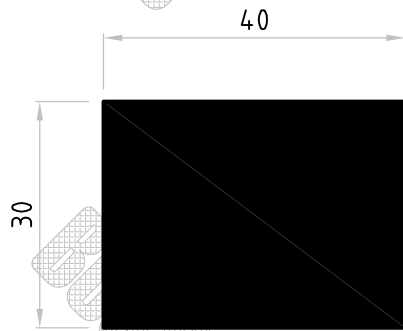
Part No. D03461



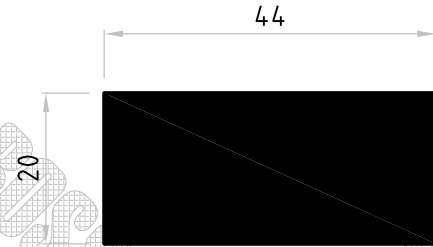
Part No. D01072



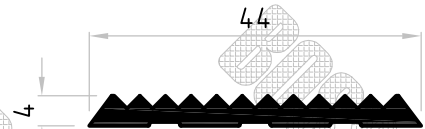
Part No. D02051



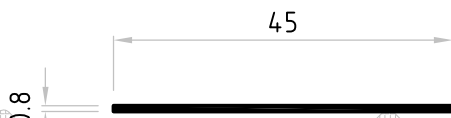
Part No. D00828



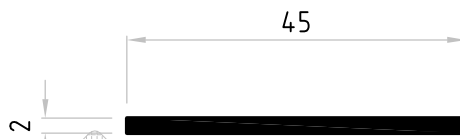
Part No. D02319



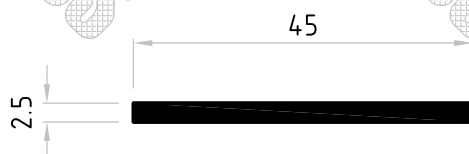
Part No. D02277



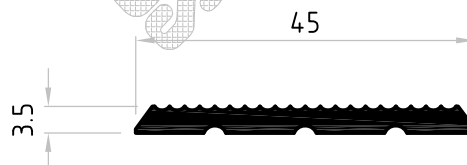
Part No. D02944



Part No. D02146



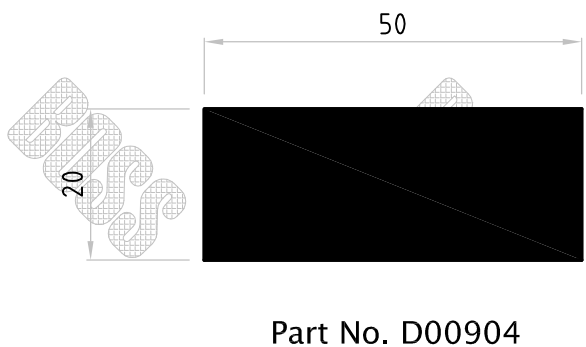
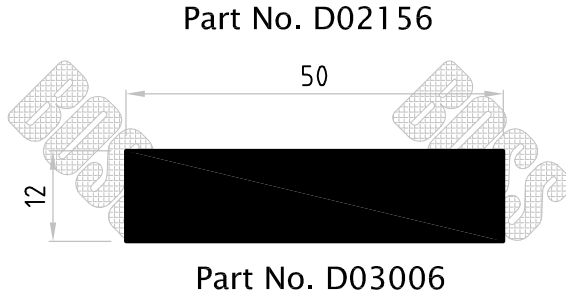
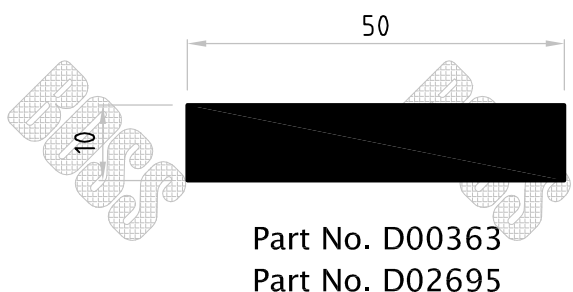
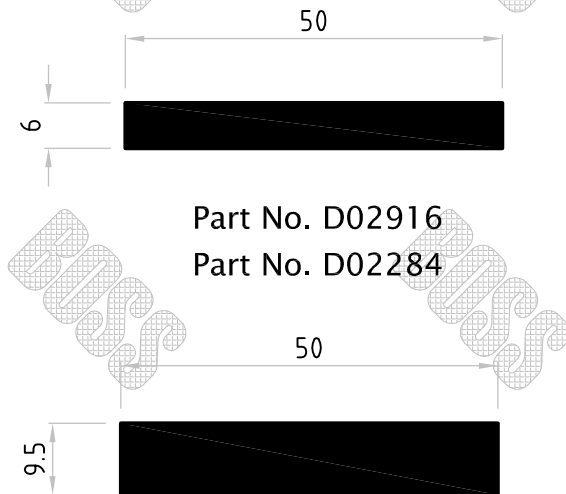
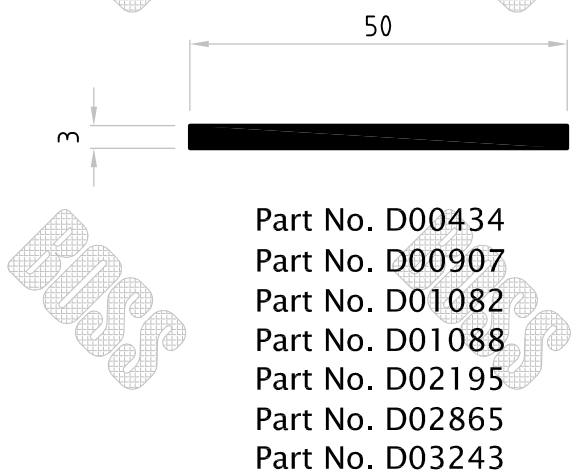
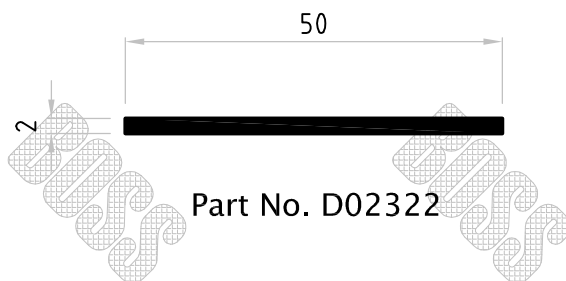
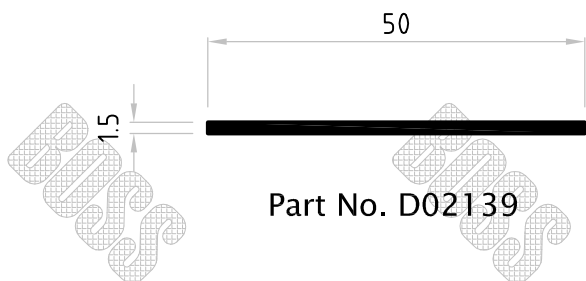
Part No. D02020



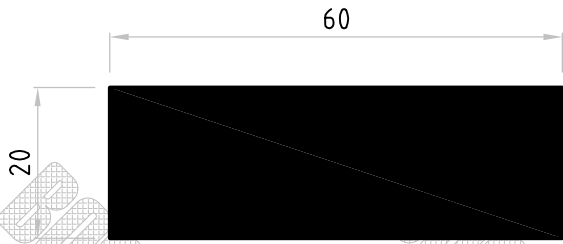
Part No. D02927

* Profile drawings appearing in this section are indicative only. some profiles may be restricted to specific customers, patents and or other limitations. The material displayed on this page may not be reprinted or otherwise reproduced without the express written permission of Boss Polymer Technologies.

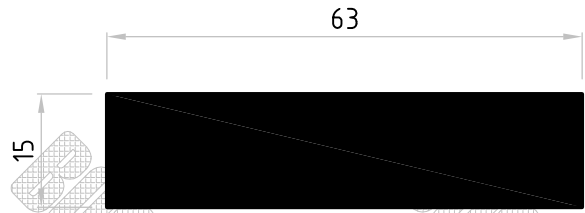
BOSS POLYMER TECHNOLOGIES PTY LTD
Melbourne Australia
PH: (613) 9561 2777
FAX: (613) 9560 8777
www.bosspolymer.com.au
E-MAIL: sales@bosspolymer.com.au



* Profile drawings appearing in this section are indicative only. some profiles may be restricted to specific customers, patents and or other limitations, The material displayed on this page may not be reprinted or otherwise reproduced without the express written permission of Boss Polymer Technologies.



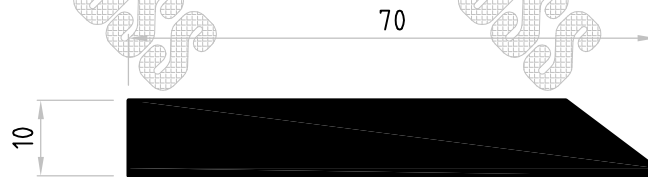
Part No. D03007



Part No. D00523



Part No. D03282



Part No. D03009



Part No. D02315



Part No. D02694



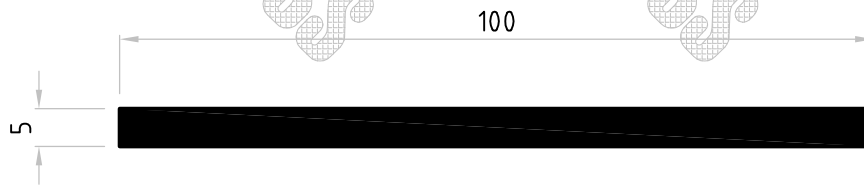
Part No. D03195

* Profile drawings appearing in this section are indicative only. some profiles may be restricted to specific customers, patents and or other limitations, The material displayed on this page may not be reprinted or otherwise reproduced without the express written permission of Boss Polymer Technologies.

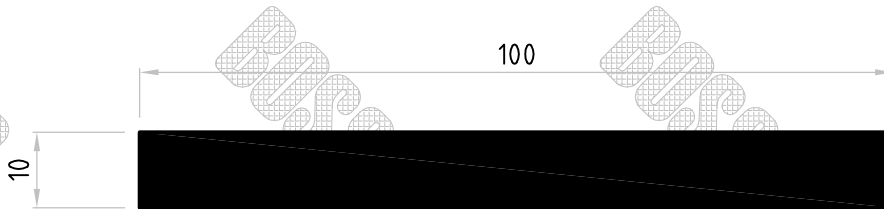
BOSS POLYMER TECHNOLOGIES PTY LTD
Melbourne Australia
PH: (613) 9561 2777
FAX: (613) 9560 8777
www.bosspolymer.com.au
E-MAIL: sales@bosspolymer.com.au



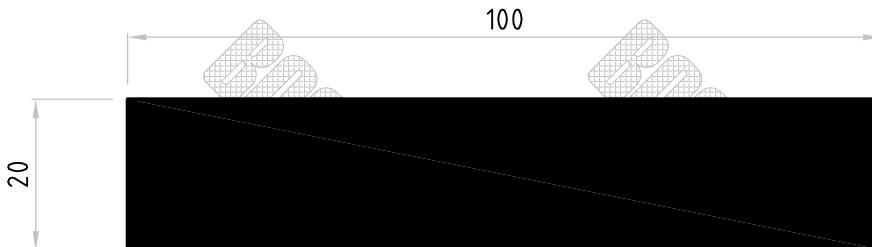
Part No. D03181



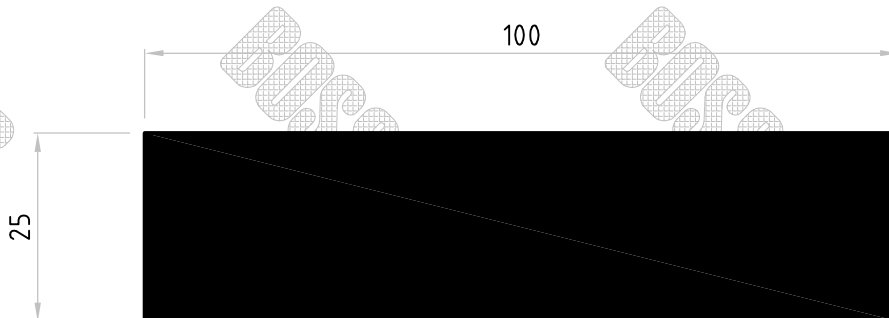
Part No. D02184



Part No. D02183
Part No. D02316



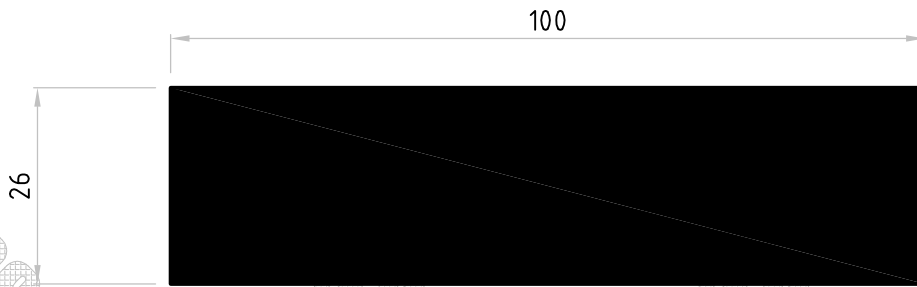
Part No. D02861
Part No. D02870



Part No. D02297

* Profile drawings appearing in this section are indicative only. some profiles may be restricted to specific customers, patents and or other limitations,
The material displayed on this page may not be reprinted or otherwise reproduced without the express written permission of Boss Polymer Technologies.

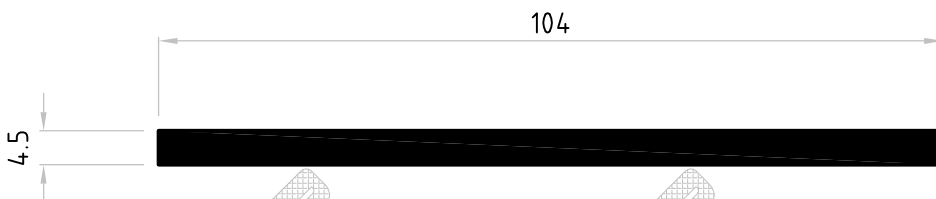
BOSS POLYMER TECHNOLOGIES PTY LTD
Melbourne Australia
PH: (613) 9561 2777
FAX: (613) 9560 8777
www.bosspolymer.com.au
E-MAIL: sales@bosspolymer.com.au



Part No. D03003



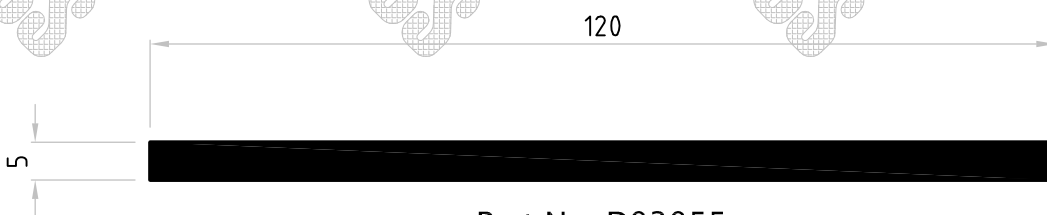
Part No. D02153



Part No. D02152



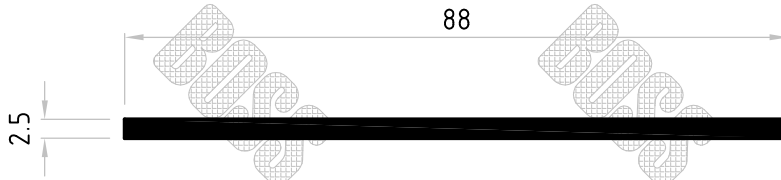
Part No. D00942



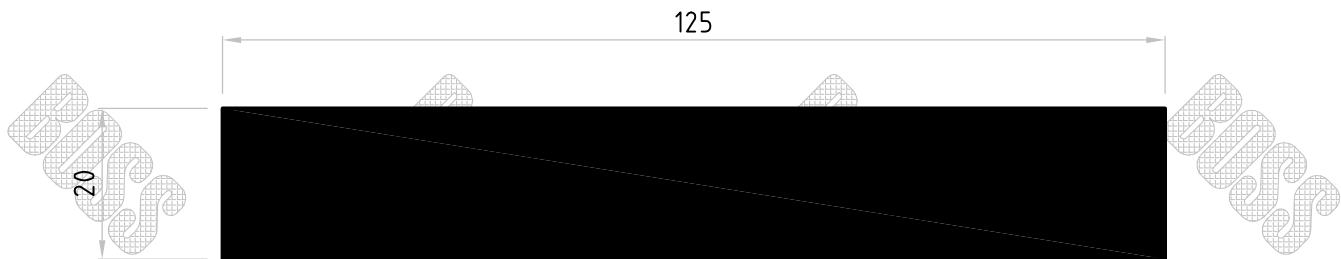
Part No. D03055

* Profile drawings appearing in this section are indicative only. some profiles may be restricted to specific customers, patents and or other limitations, The material displayed on this page may not be reprinted or otherwise reproduced without the express written permission of Boss Polymer Technologies.

BOSS POLYMER TECHNOLOGIES PTY LTD
Melbourne Australia
PH: (613) 9561 2777
FAX: (613) 9560 8777
www.bosspolymer.com.au
E-MAIL: sales@bosspolymer.com.au



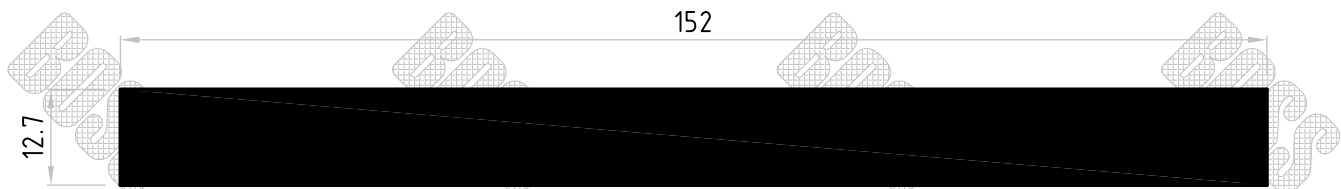
Part No. D03237



Part No. D02491



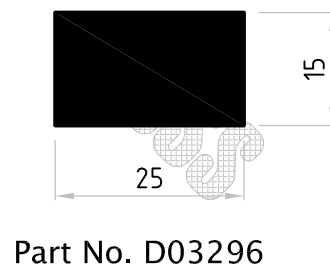
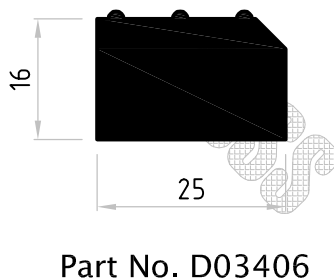
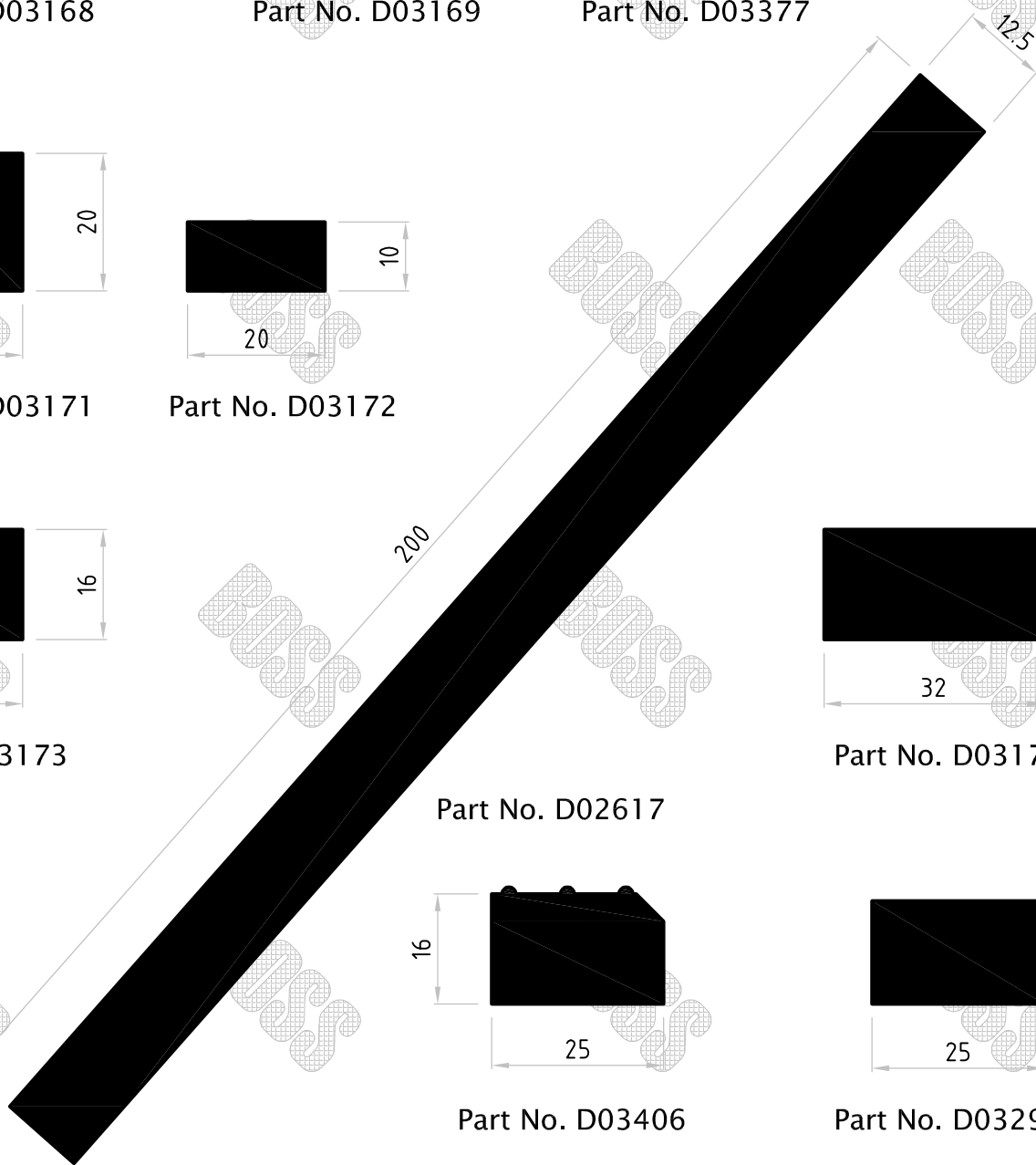
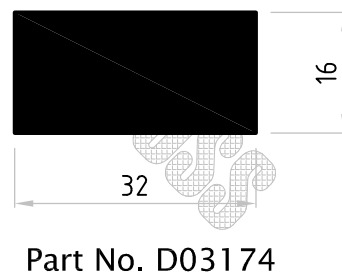
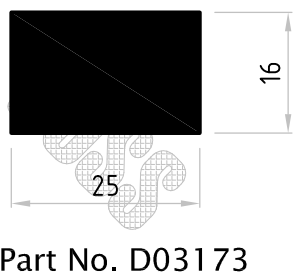
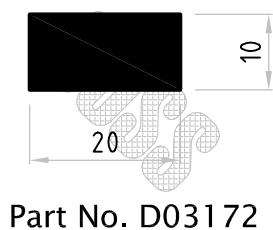
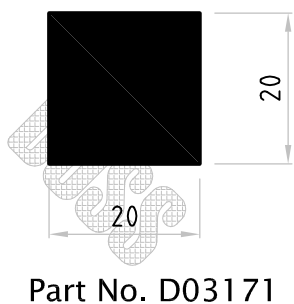
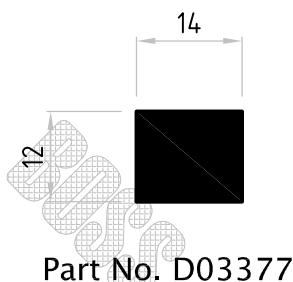
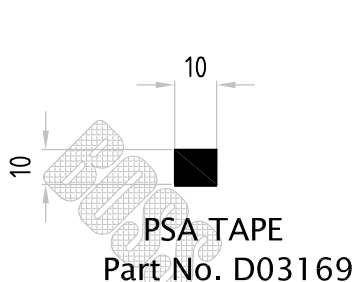
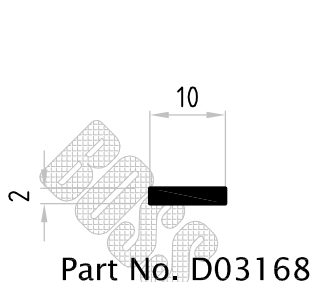
Part No. D02114



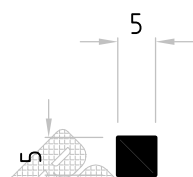
Part No. D00899

* Profile drawings appearing in this section are indicative only. some profiles may be restricted to specific customers, patents and or other limitations,
The material displayed on this page may not be reprinted or otherwise reproduced without the express written permission of Boss Polymer Technologies.

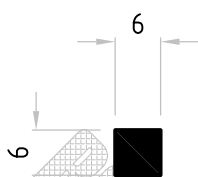
BOSS POLYMER TECHNOLOGIES PTY LTD
Melbourne Australia
PH: (613) 9561 2777
FAX: (613) 9560 8777
www.bosspolymer.com.au
E-MAIL: sales@bosspolymer.com.au



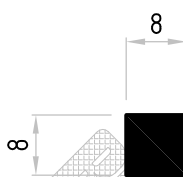
* Profile drawings appearing in this section are indicative only. some profiles may be restricted to specific customers, patents and or other limitations, The material displayed on this page may not be reprinted or otherwise reproduced without the express written permission of Boss Polymer Technologies.



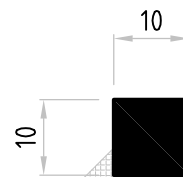
Part No. D02434



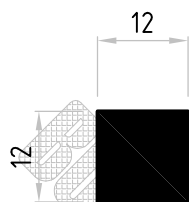
Part No. D02394



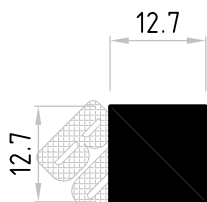
Part No. D02474



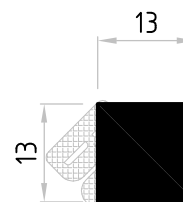
Part No. D02092
Part No. D02611
Part No. D02914



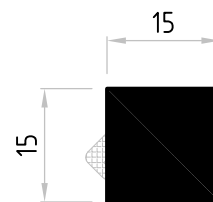
Part No. D00425
Part No. D02564



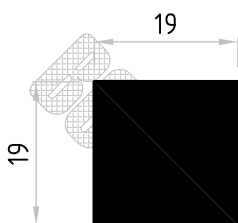
Part No. D00456



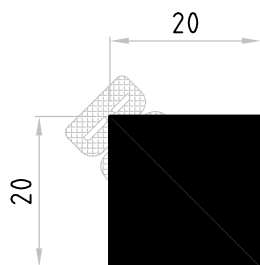
Part No. D02607



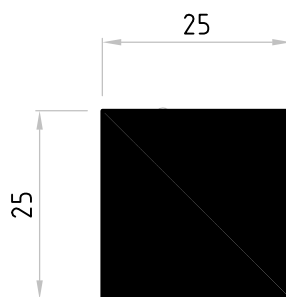
Part No. D01099
Part No. D02426



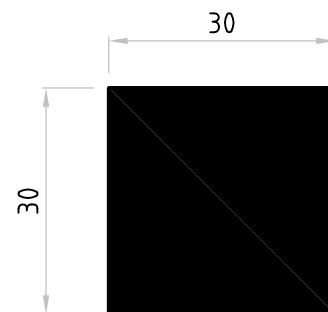
Part No. D02693



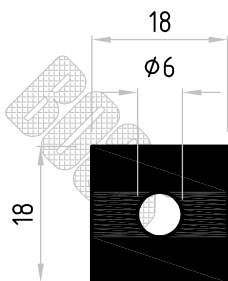
Part No. D01099



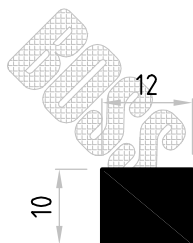
Part No. D00905
Part No. D02142
Part No. D02545
Part No. D03175



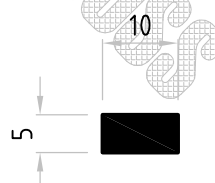
Part No. D02562
Part No. D03293



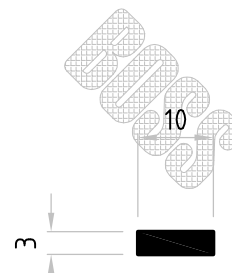
Part No. D03244



Part No. D03335



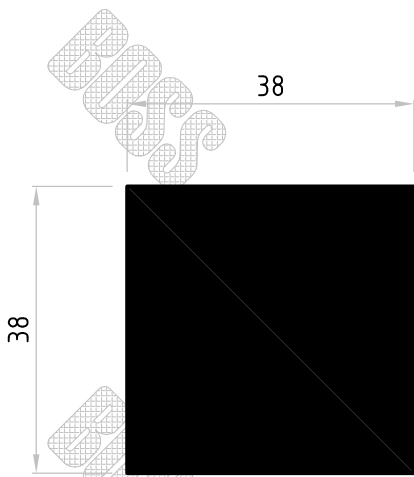
Part No. D03343
Part No. D03376



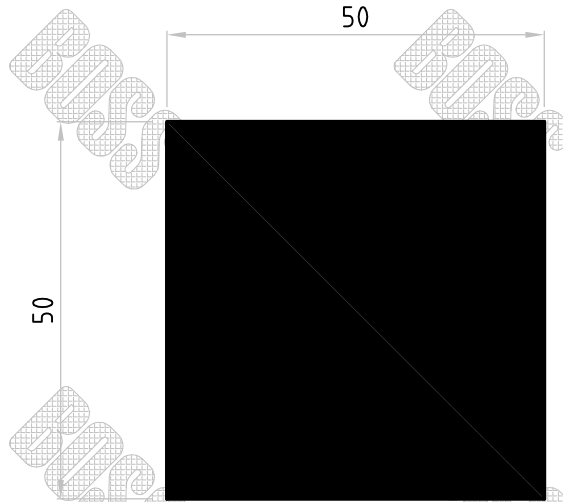
Part No. D03375

* Profile drawings appearing in this section are indicative only. some profiles may be restricted to specific customers, patents and or other limitations. The material displayed on this page may not be reprinted or otherwise reproduced without the express written permission of Boss Polymer Technologies.

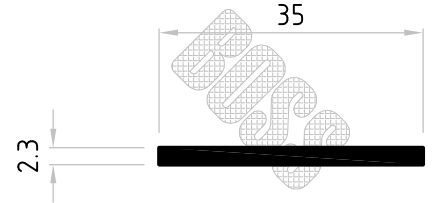
BOSS POLYMER TECHNOLOGIES PTY LTD
Melbourne Australia
PH: (613) 9561 2777
FAX: (613) 9560 8777
www.bosspolymer.com.au
E-MAIL: sales@bosspolymer.com.au



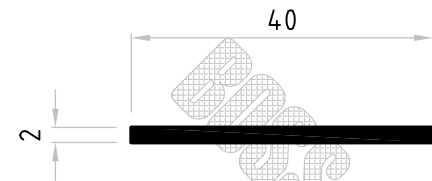
Part No. D02416



Part No. D02061
Part No. D02586



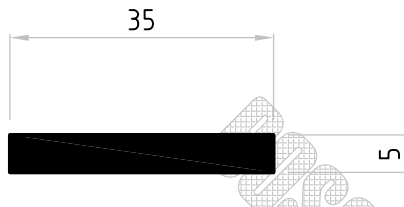
Part No. D03261



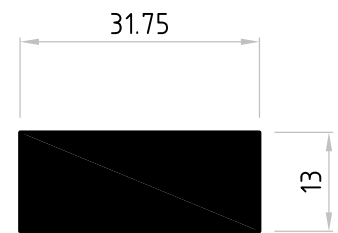
Part No. D03332



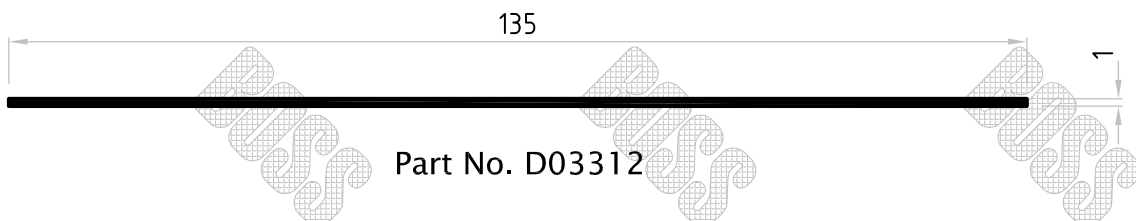
Part No. D03329



Part No. D00556



Part No. D03253



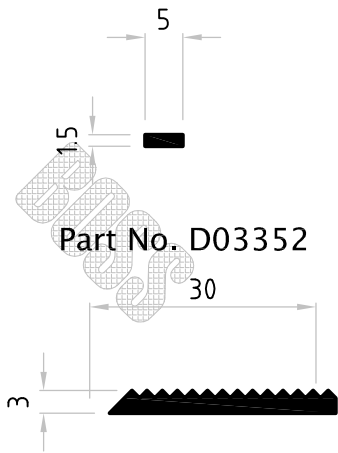
Part No. D03312



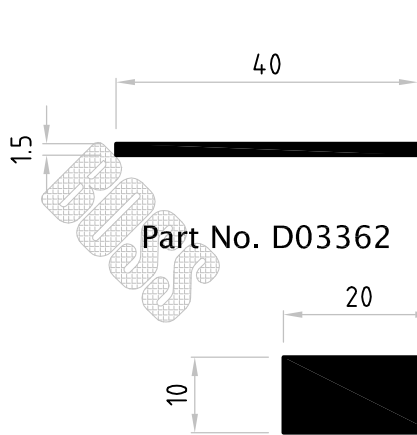
Part No. D03313

* Profile drawings appearing in this section are indicative only. some profiles may be restricted to specific customers, patents and or other limitations. The material displayed on this page may not be reprinted or otherwise reproduced without the express written permission of Boss Polymer Technologies.

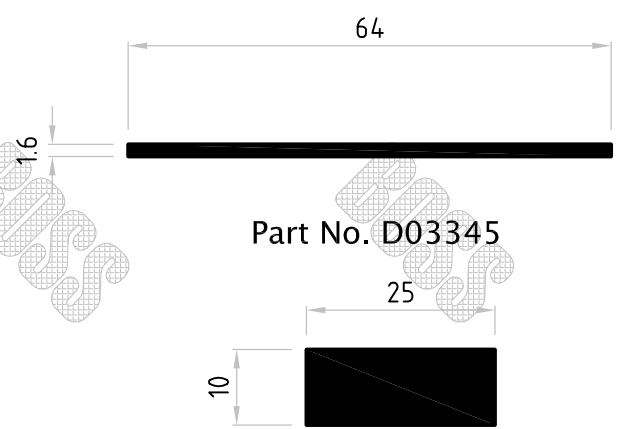
BOSS POLYMER TECHNOLOGIES PTY LTD
Melbourne Australia
PH: (613) 9561 2777
FAX: (613) 9560 8777
www.bosspolymer.com.au
E-MAIL: sales@bosspolymer.com.au



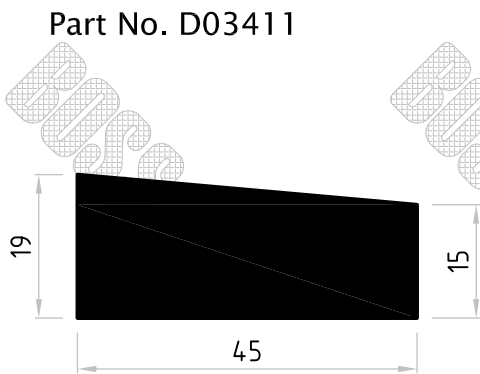
Part No. D03352



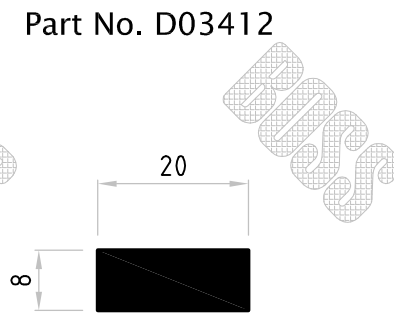
Part No. D03362



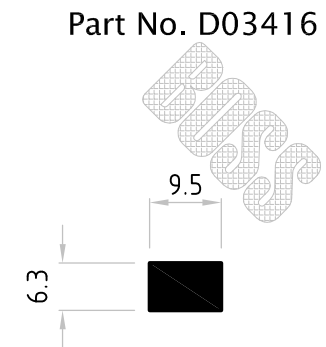
Part No. D03345



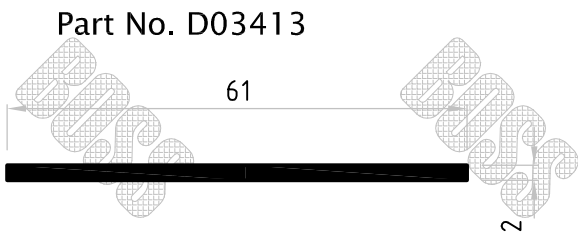
Part No. D03411



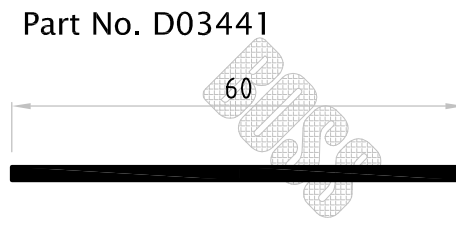
Part No. D03412



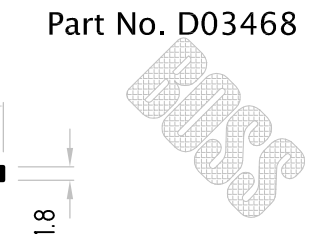
Part No. D03416



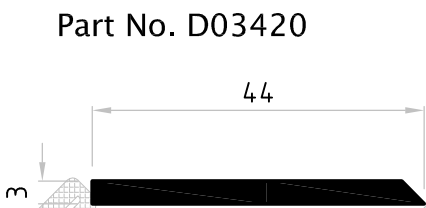
Part No. D03413



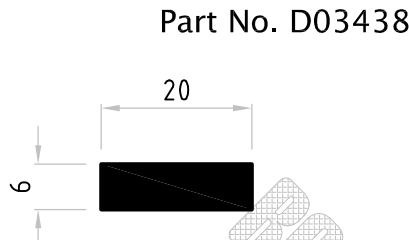
Part No. D03441



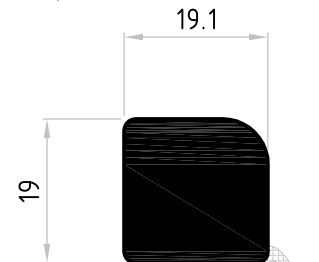
Part No. D03468



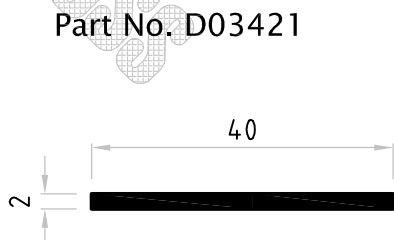
Part No. D03420



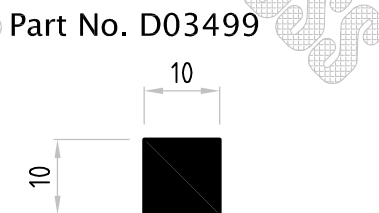
Part No. D03438



Part No. D03565



Part No. D03421



Part No. D03499

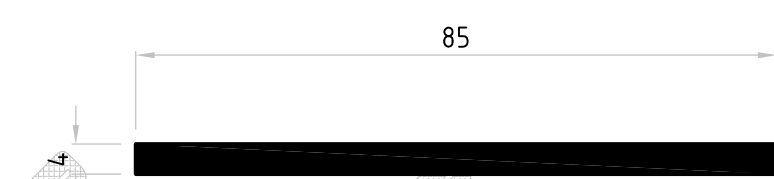


Part No. D03428

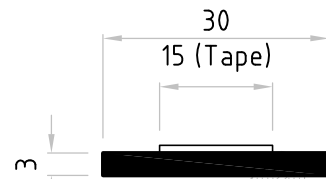
Part No. D03502

* Profile drawings appearing in this section are indicative only. some profiles may be restricted to specific customers, patents and or other limitations. The material displayed on this page may not be reprinted or otherwise reproduced without the express written permission of Boss Polymer Technologies.

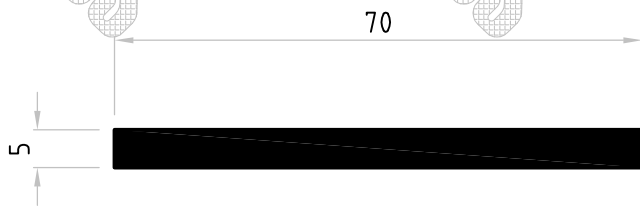
BOSS POLYMER TECHNOLOGIES PTY LTD
Melbourne Australia
PH: (613) 9561 2777
FAX: (613) 9560 8777
www.bosspolymer.com.au
E-MAIL: sales@bosspolymer.com.au



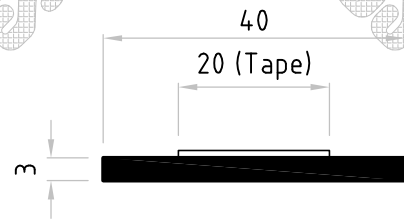
Part No. D03509



Part No. D03537



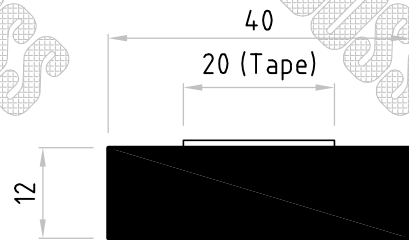
Part No. D03538



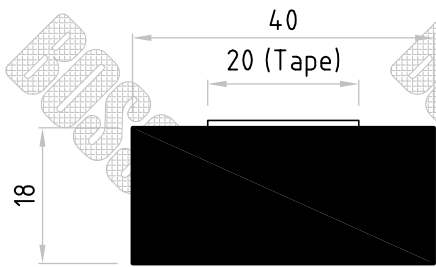
Part No. D03539



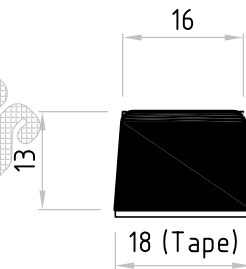
Part No. D03594



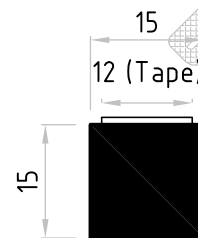
Part No. D03534



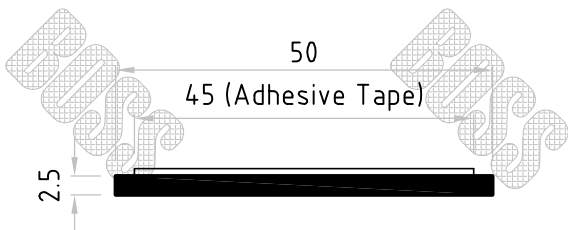
Part No. D03535



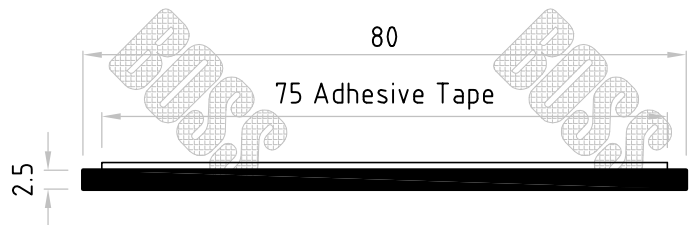
Part No. D03500



Part No. D03671

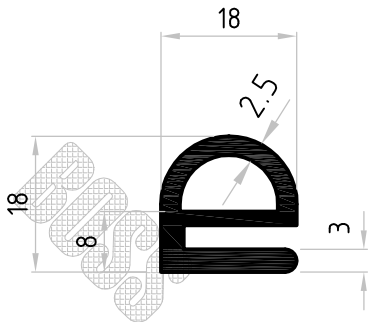


Part No. D03634

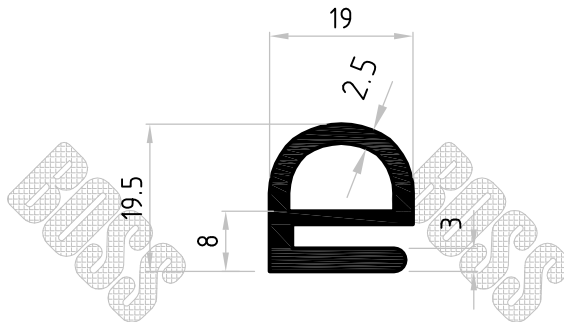


Part No. D03635

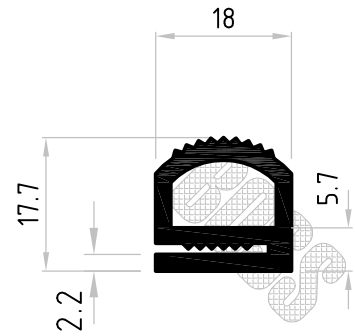
* Profile drawings appearing in this section are indicative only. some profiles may be restricted to specific customers, patents and or other limitations, The material displayed on this page may not be reprinted or otherwise reproduced without the express written permission of Boss Polymer Technologies.



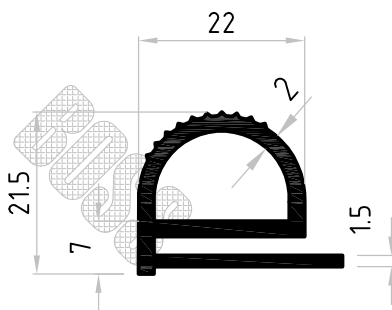
Part No. D00586



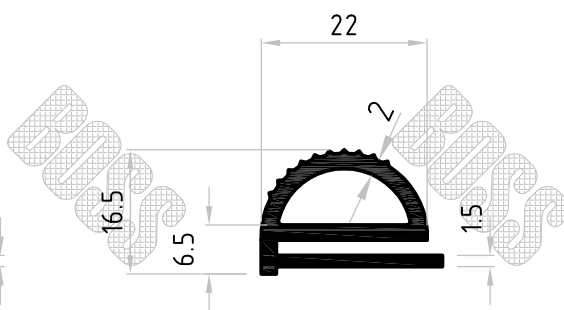
Part No. D00587



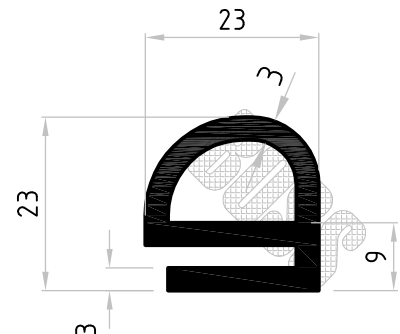
Part No. D01096



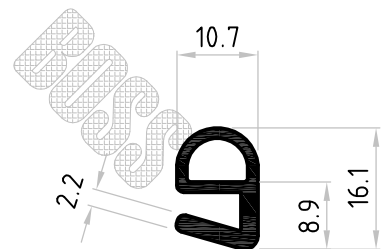
Part No. D00549
Part No. D00550



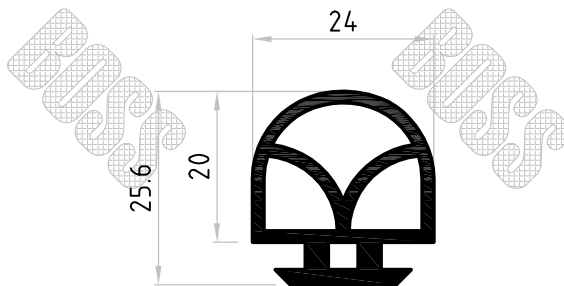
Part No. D00551
Part No. D00552



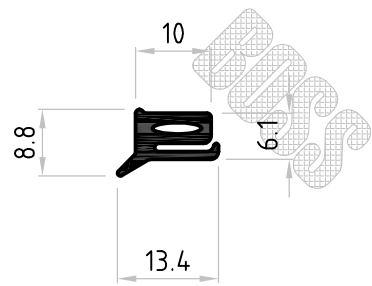
Part No. D02364



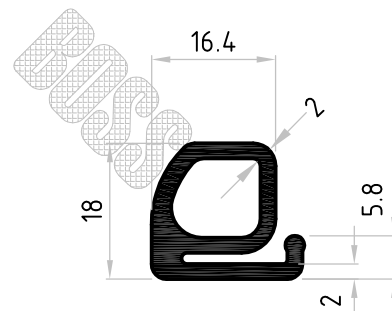
Part No. D02192



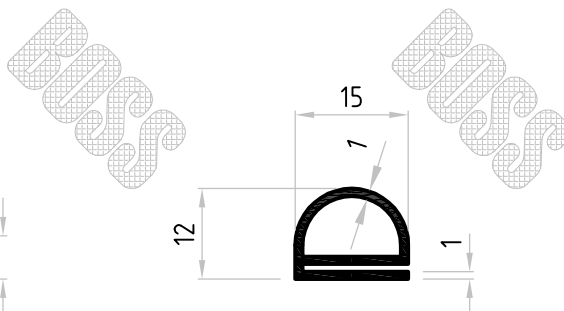
Part No. D02179



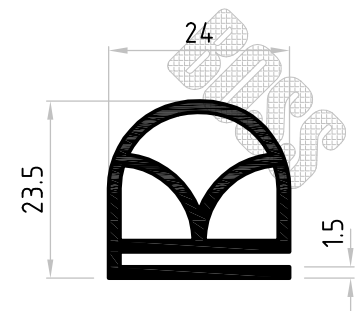
Part No. D03049



Part No. D02520



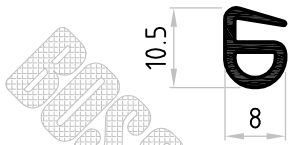
Part No. D02685



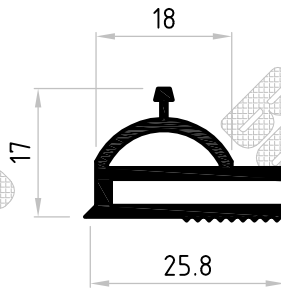
Part No. D02178

* Profile drawings appearing in this section are indicative only. some profiles may be restricted to specific customers, patents and or other limitations. The material displayed on this page may not be reprinted or otherwise reproduced without the express written permission of Boss Polymer Technologies.

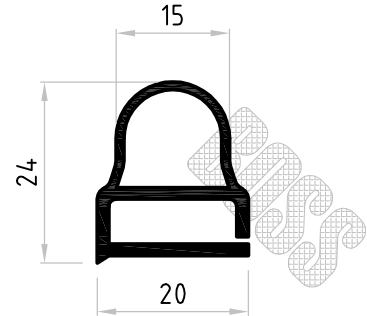
BOSS POLYMER TECHNOLOGIES PTY LTD
Melbourne Australia
PH: (613) 9561 2777
FAX: (613) 9560 8777
www.bosspolymer.com.au
E-MAIL: sales@bosspolymer.com.au



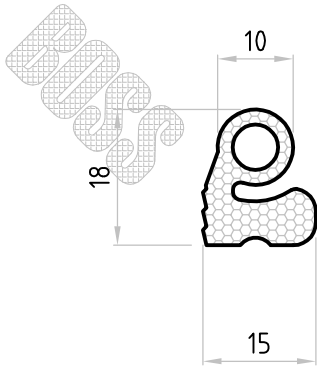
Part No. D03549



Part No. D02265



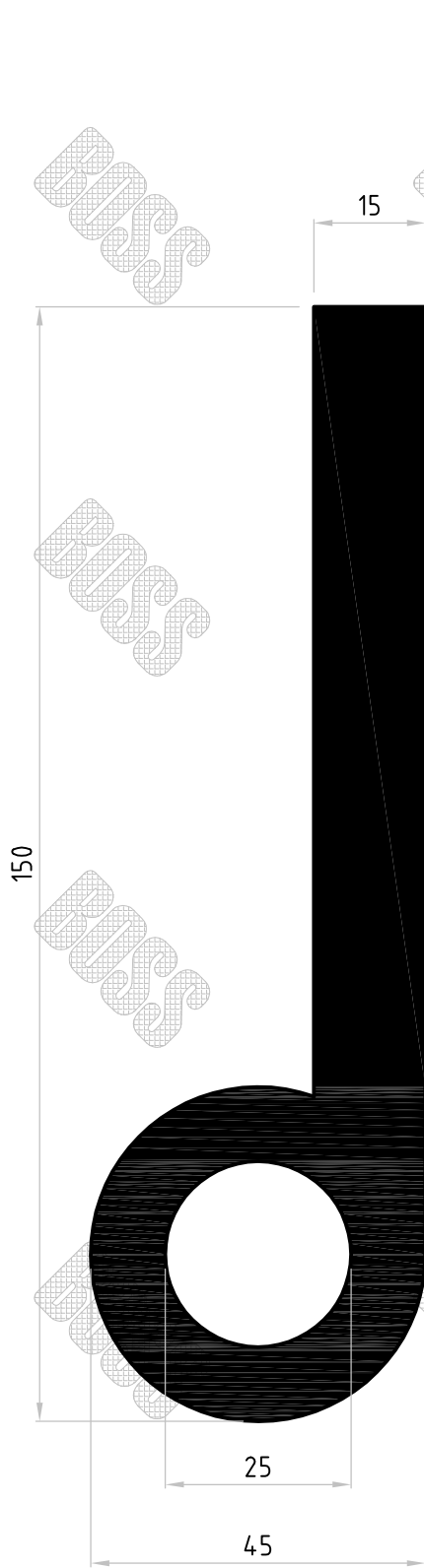
Part No. D02280



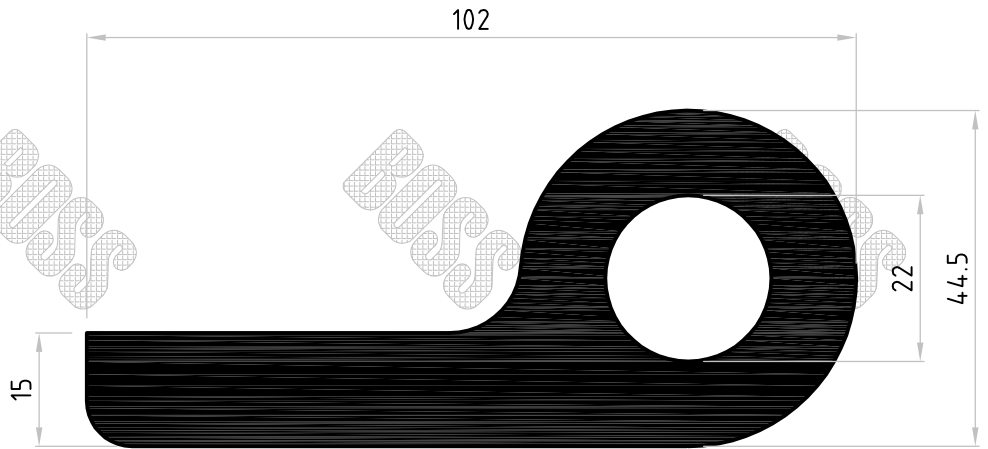
Part No. D02217

* Profile drawings appearing in this section are indicative only. some profiles may be restricted to specific customers, patents and or other limitations,
The material displayed on this page may not be reprinted or otherwise reproduced without the express written permission of Boss Polymer Technologies.

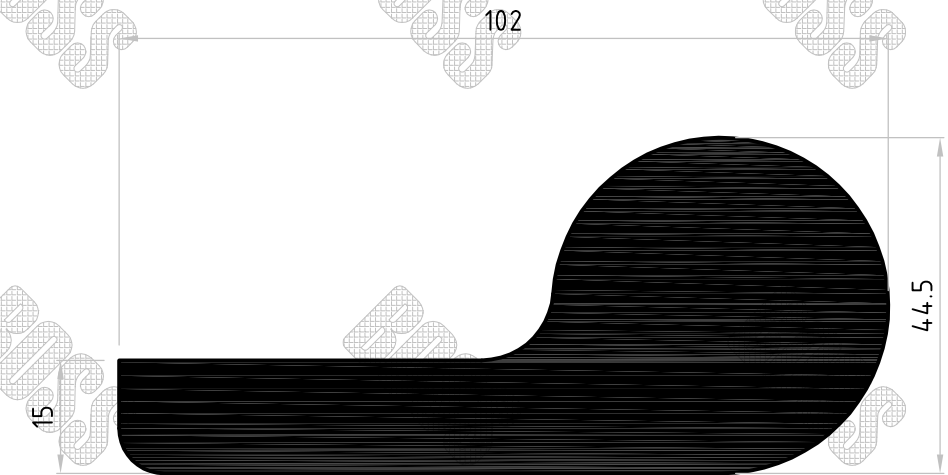
BOSS POLYMER TECHNOLOGIES PTY LTD
Melbourne Australia
PH: (613) 9561 2777
FAX: (613) 9560 8777
www.bosspolymer.com.au
E-MAIL: sales@bosspolymer.com.au



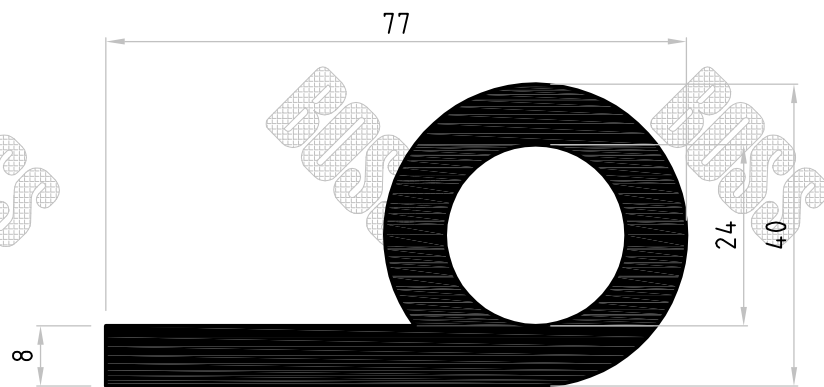
Part No. D02530



Part No. D03057



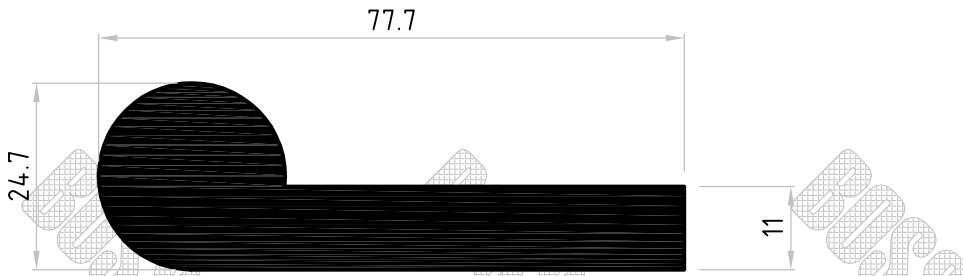
Part No. D03056



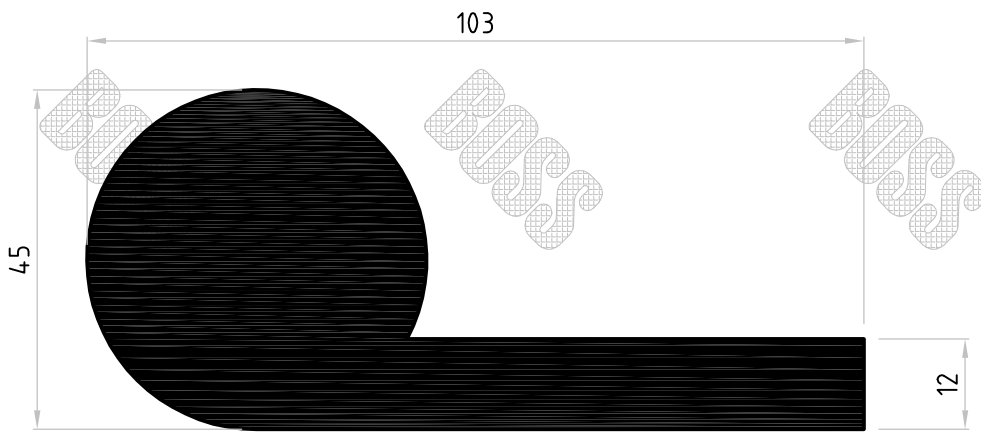
Part No. D03011

* Profile drawings appearing in this section are indicative only. some profiles may be restricted to specific customers, patents and or other limitations, The material displayed on this page may not be reprinted or otherwise reproduced without the express written permission of Boss Polymer Technologies.

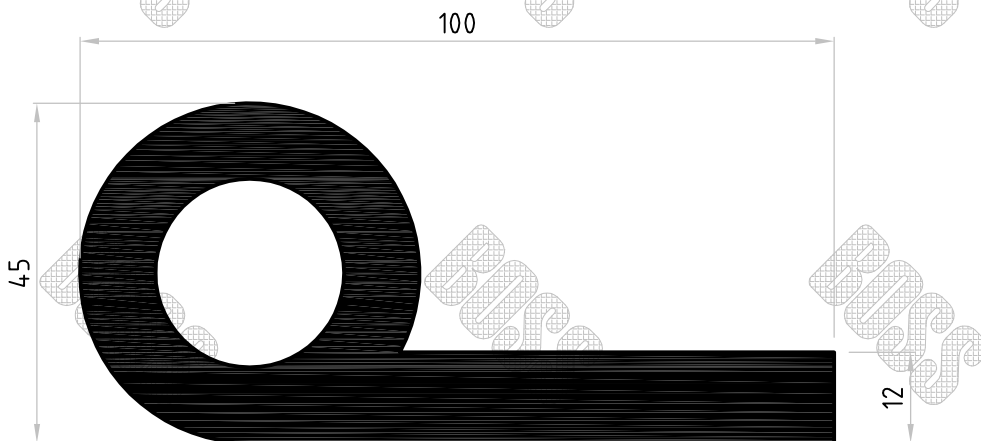
BOSS POLYMER TECHNOLOGIES PTY LTD
Melbourne Australia
PH: (613) 9561 2777
FAX: (613) 9560 8777
www.bosspolymer.com.au
E-MAIL: sales@bosspolymer.com.au



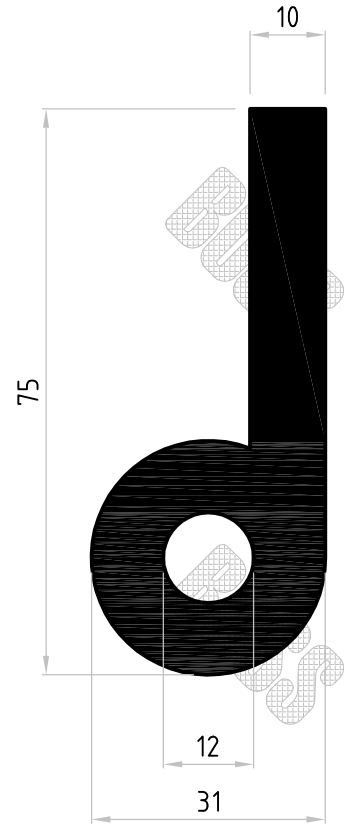
Part No. D00990



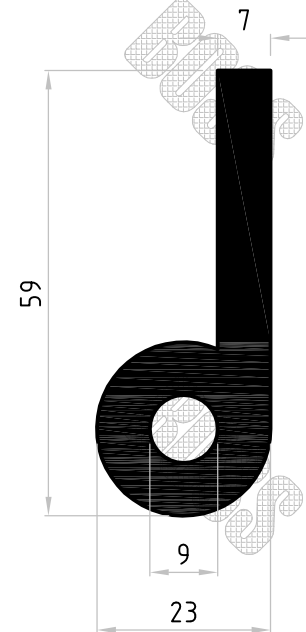
Part No. D00269



Part No. D00268
Part No. D02055

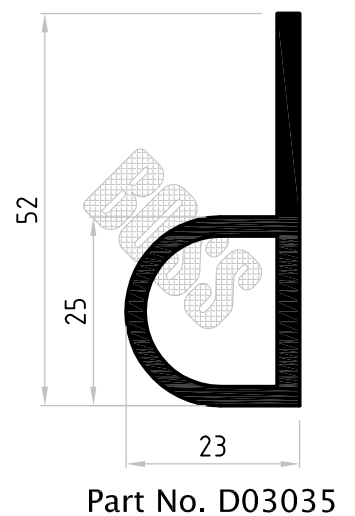
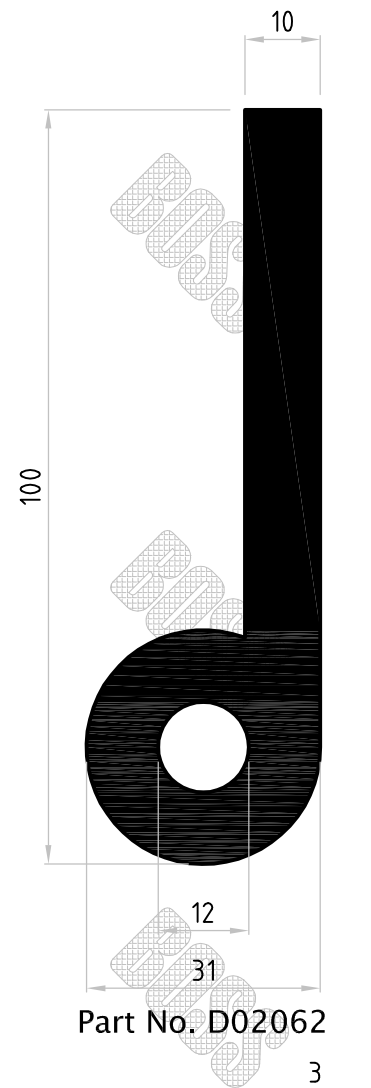
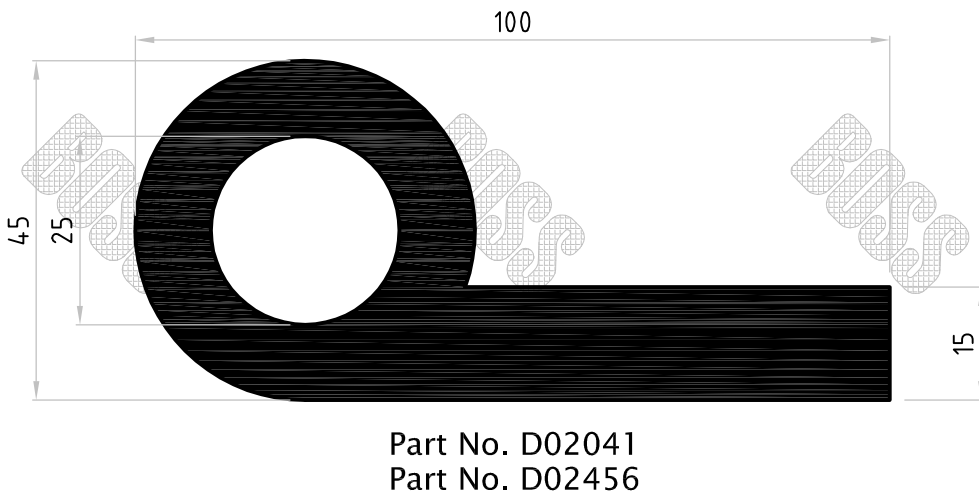
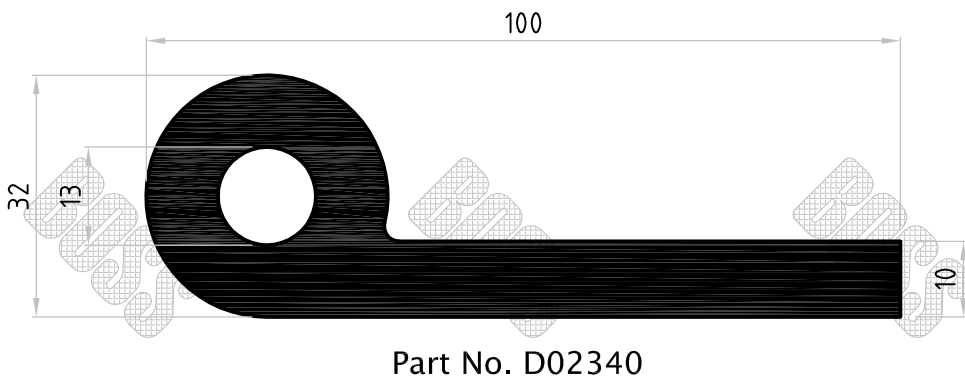
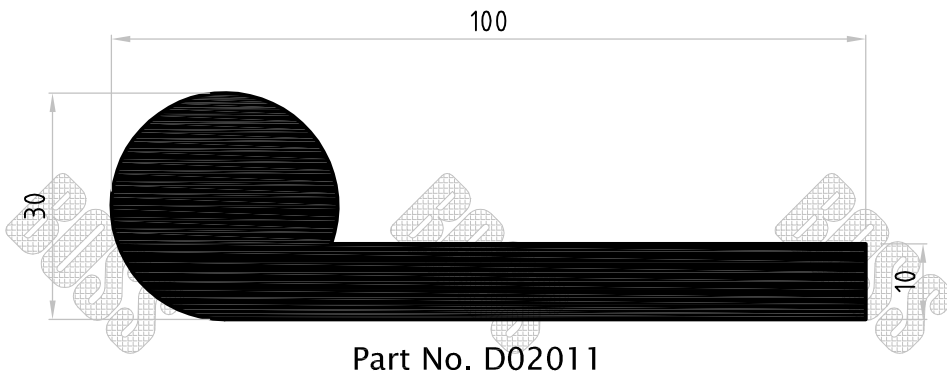
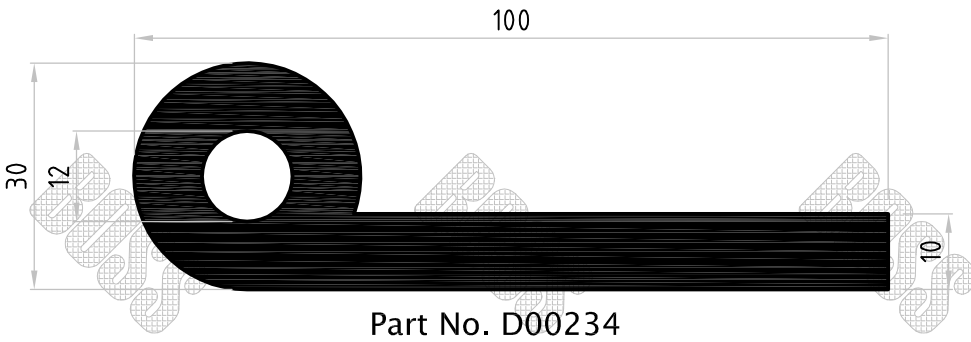


Part No. D02210



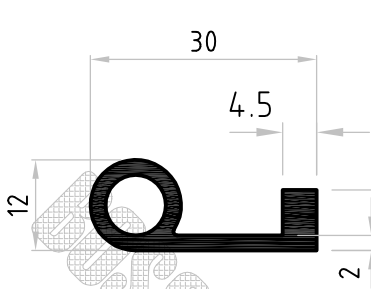
Part No. D02151
Part No. D02079
Part No. D02129

* Profile drawings appearing in this section are indicative only. some profiles may be restricted to specific customers, patents and or other limitations. The material displayed on this page may not be reprinted or otherwise reproduced without the express written permission of Boss Polymer Technologies.

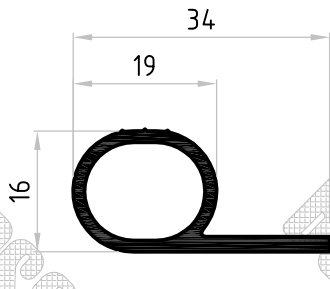


* Profile drawings appearing in this section are indicative only. some profiles may be restricted to specific customers, patents and or other limitations. The material displayed on this page may not be reprinted or otherwise reproduced without the express written permission of Boss Polymer Technologies.

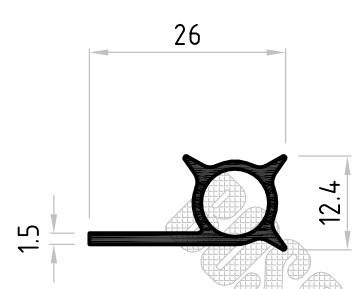
BOSS POLYMER TECHNOLOGIES PTY LTD
Melbourne Australia
PH: (613) 9561 2777
FAX: (613) 9560 8777
www.bosspolymer.com.au
E-MAIL: sales@bosspolymer.com.au



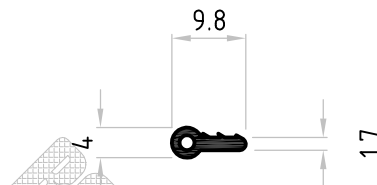
Part No. D02367



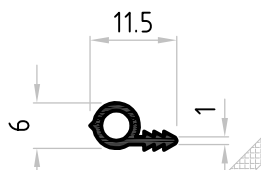
Part No. D00869
Part No. D01094
Part No. D02232



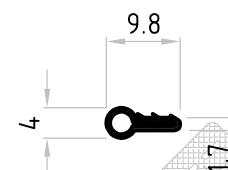
Part No. D02624
Part No. D02459



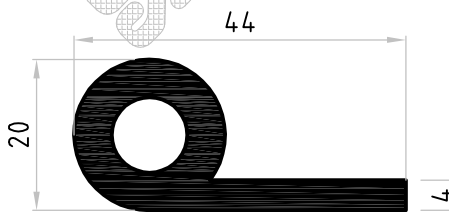
Part No. D02187



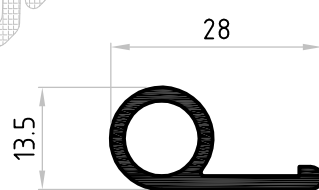
Part No. D02250



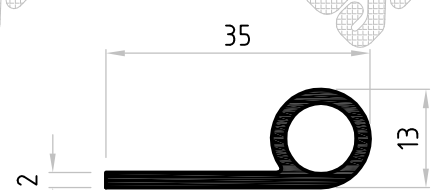
Part No. D02188



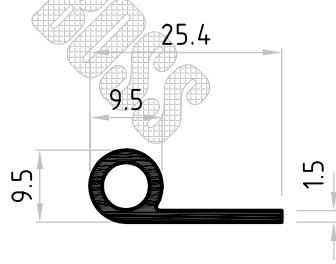
Part No. D02293



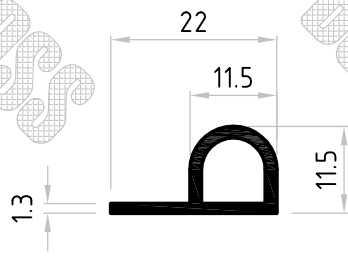
Part No. D02363



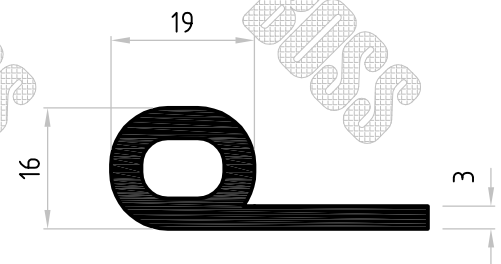
Part No. D03354



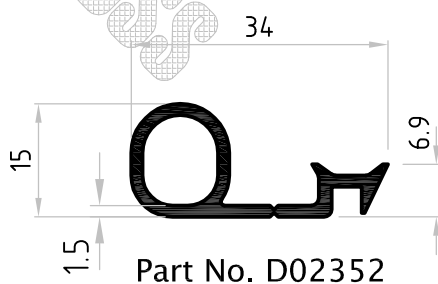
Part No. D02288
Part No. D02425



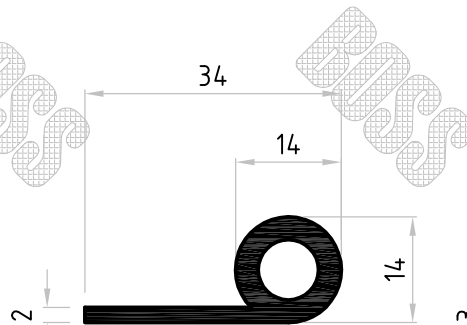
Part No. D02458



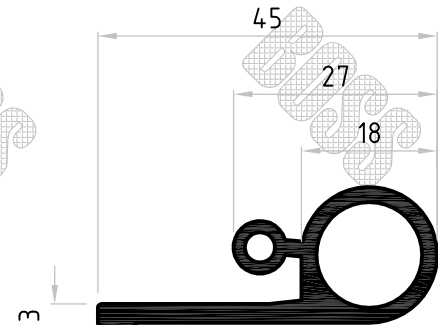
Part No. D02690



Part No. D02352



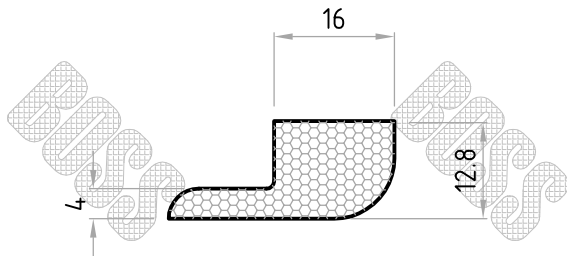
Part No. D02093



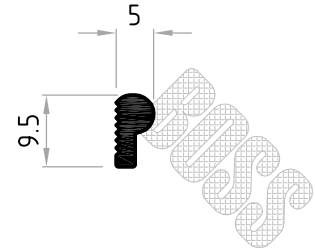
Part No. D02939

* Profile drawings appearing in this section are indicative only. some profiles may be restricted to specific customers, patents and or other limitations. The material displayed on this page may not be reprinted or otherwise reproduced without the express written permission of Boss Polymer Technologies.

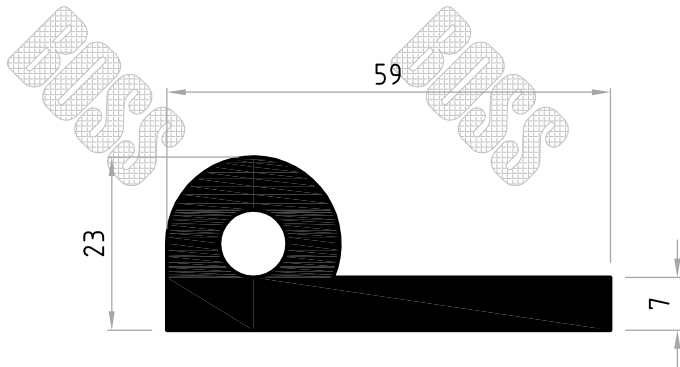
BOSS POLYMER TECHNOLOGIES PTY LTD
Melbourne Australia
PH: (613) 9561 2777
FAX: (613) 9560 8777
www.bosspolymer.com.au
E-MAIL: sales@bosspolymer.com.au



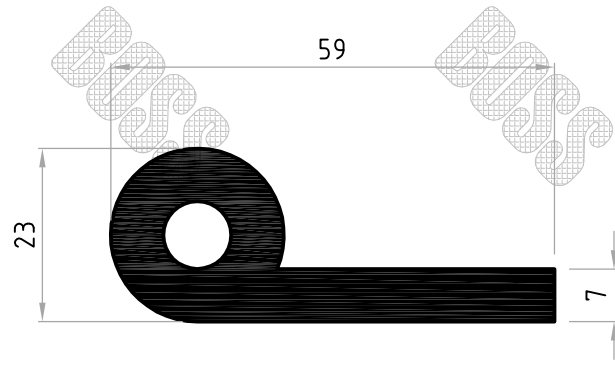
Part No. D03033



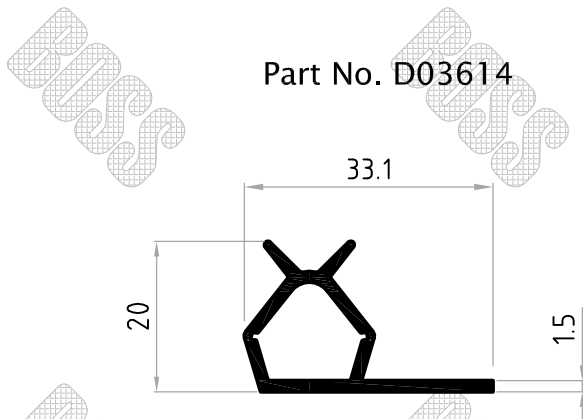
Part No. D02577



Part No. D03614



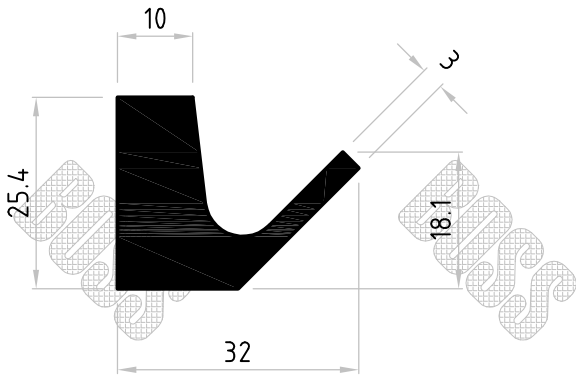
Part No. D03670



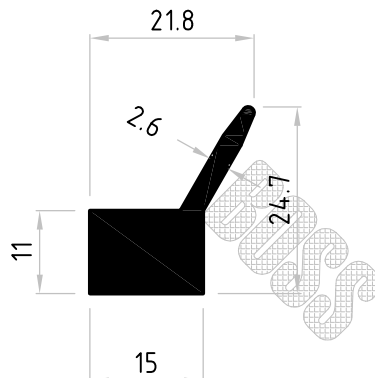
Part No. D03522

* Profile drawings appearing in this section are indicative only. some profiles may be restricted to specific customers, patents and or other limitations, The material displayed on this page may not be reprinted or otherwise reproduced without the express written permission of Boss Polymer Technologies.

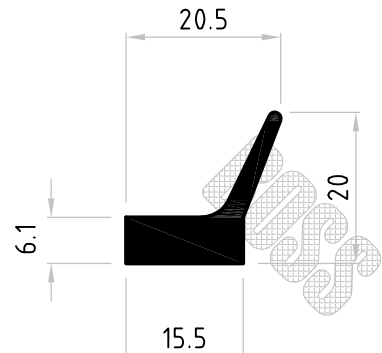
BOSS POLYMER TECHNOLOGIES PTY LTD
Melbourne Australia
PH: (613) 9561 2777
FAX: (613) 9560 8777
www.bosspolymer.com.au
E-MAIL: sales@bosspolymer.com.au



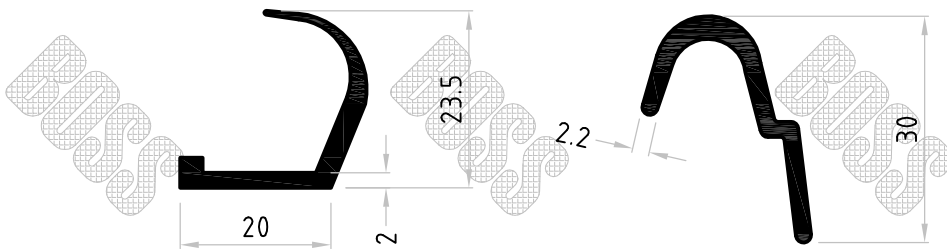
Part No. D00850



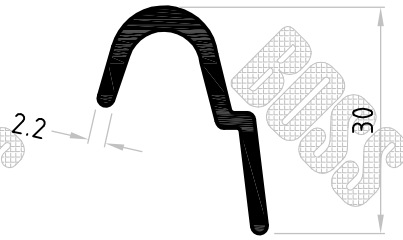
Part No. D00495



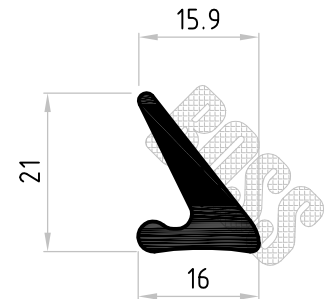
Part No. D03058



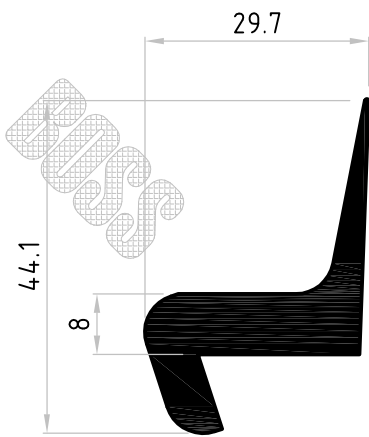
Part No. D03393



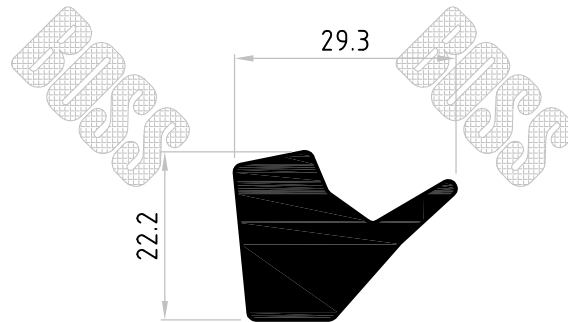
Part No. D03414



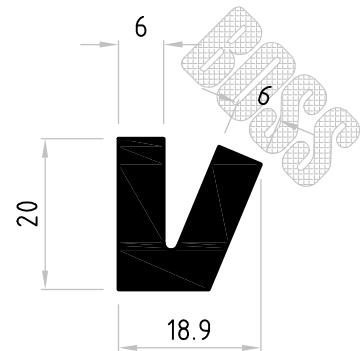
Part No. D03324



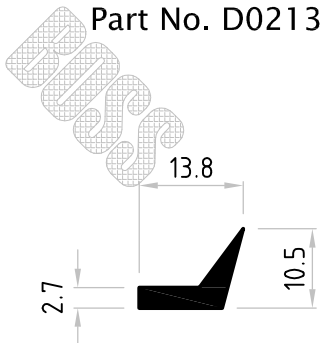
Part No. D02138



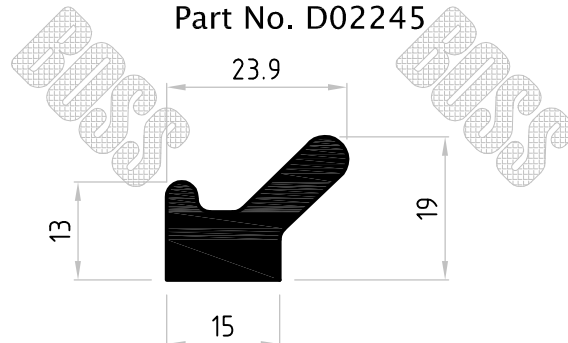
Part No. D02245



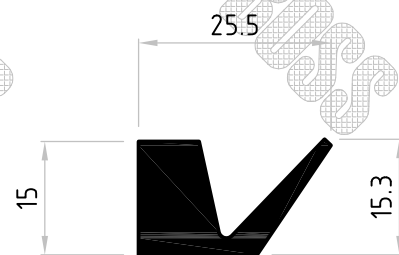
Part No. D02257



Part No. D00818



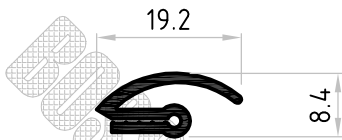
Part No. D00466



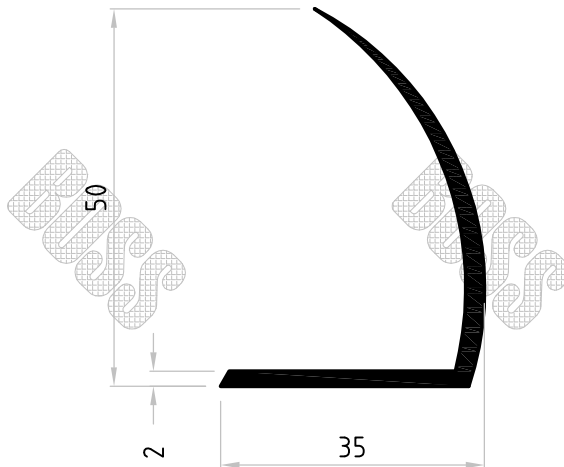
Part No. D03213

* Profile drawings appearing in this section are indicative only. some profiles may be restricted to specific customers, patents and or other limitations. The material displayed on this page may not be reprinted or otherwise reproduced without the express written permission of Boss Polymer Technologies.

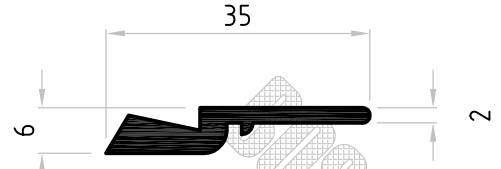
BOSS POLYMER TECHNOLOGIES PTY LTD
Melbourne Australia
PH: (613) 9561 2777
FAX: (613) 9560 8777
www.bosspolymer.com.au
E-MAIL: sales@bosspolymer.com.au



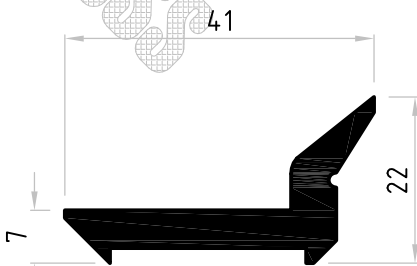
Part No. D03029



Part No. D02817



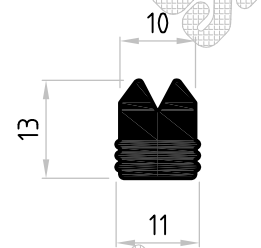
Part No. D02310



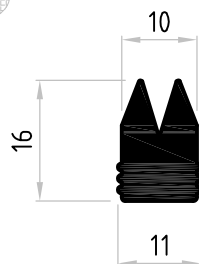
Part No. D02331



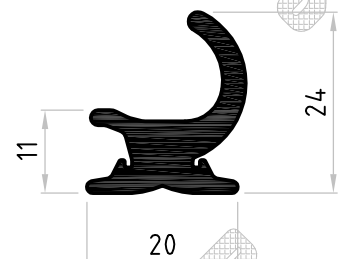
Part No. D03082



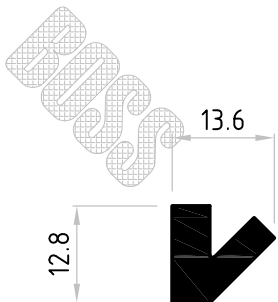
Part No. D03235



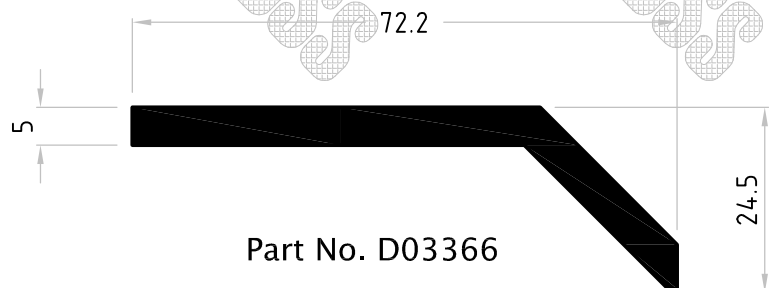
Part No. D03264



Part No. D00987



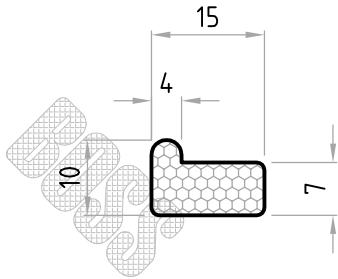
Part No. D03256



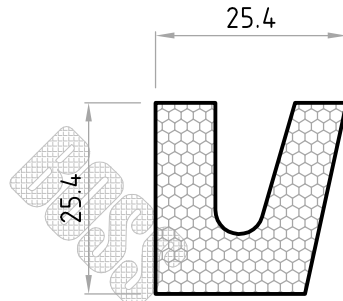
Part No. D03366

* Profile drawings appearing in this section are indicative only. some profiles may be restricted to specific customers, patents and or other limitations, The material displayed on this page may not be reprinted or otherwise reproduced without the express written permission of Boss Polymer Technologies.

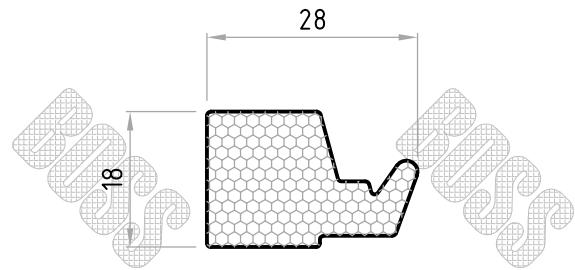
BOSS POLYMER TECHNOLOGIES PTY LTD
Melbourne Australia
PH: (613) 9561 2777
FAX: (613) 9560 8777
www.bosspolymer.com.au
E-MAIL: sales@bosspolymer.com.au



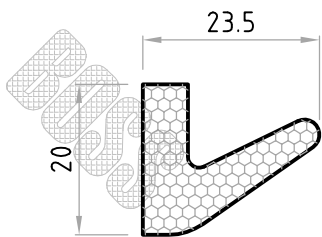
Part No. D03147



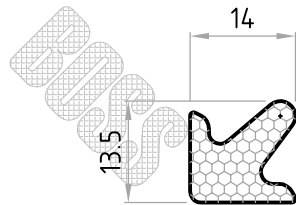
Part No. D03098



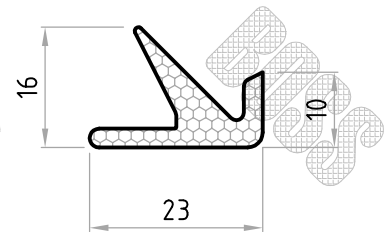
Part No. D03123



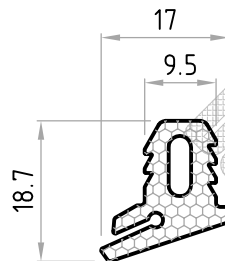
Part No. D03141



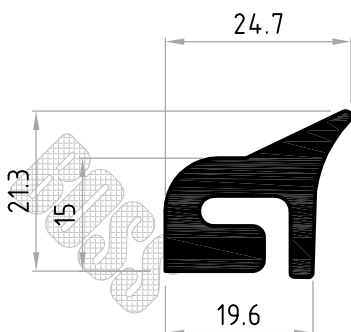
Part No. D03167



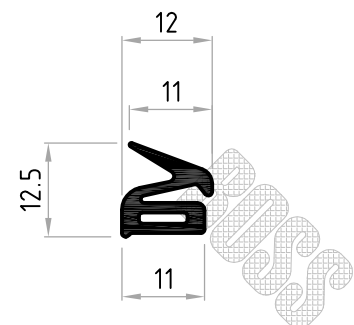
Part No. D02582



Part No. D03550



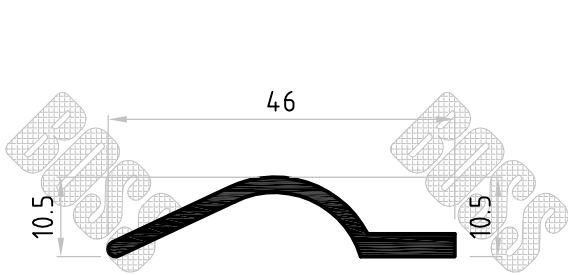
Part No. D03484



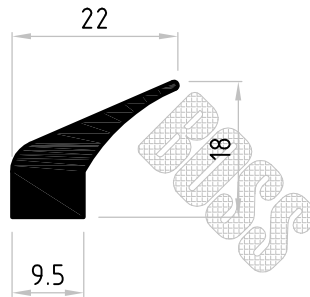
Part No. D02871

* Profile drawings appearing in this section are indicative only. some profiles may be restricted to specific customers, patents and or other limitations. The material displayed on this page may not be reprinted or otherwise reproduced without the express written permission of Boss Polymer Technologies.

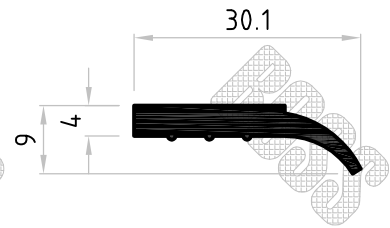
BOSS POLYMER TECHNOLOGIES PTY LTD
Melbourne Australia
PH: (613) 9561 2777
FAX: (613) 9560 8777
www.bosspolymer.com.au
E-MAIL: sales@bosspolymer.com.au



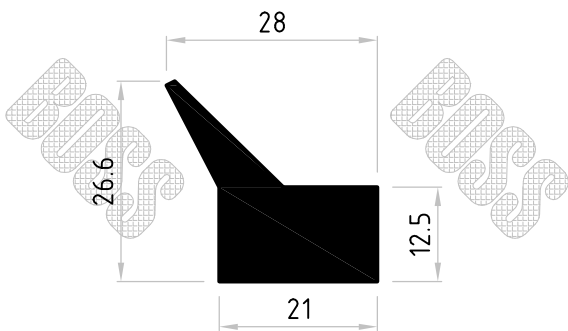
Part No. D03540



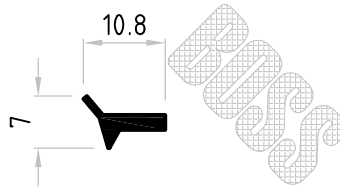
Part No. D03591



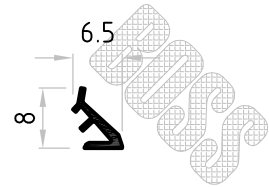
Part No. D03557



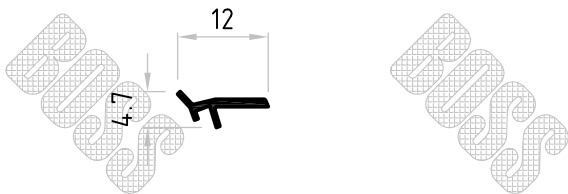
Part No. D03564



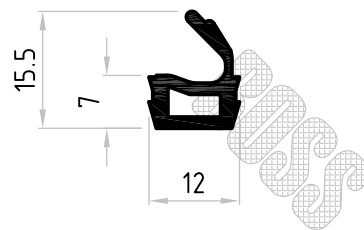
Part No. D03640



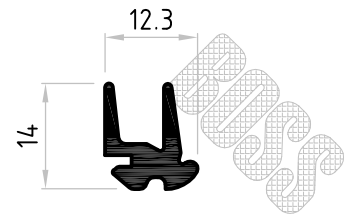
Part No. D03603



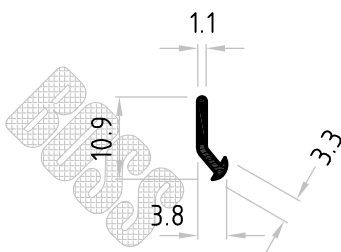
Part No. D03604



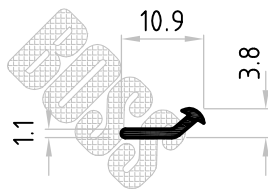
Part No. D01045



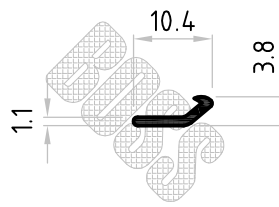
Part No. D02465



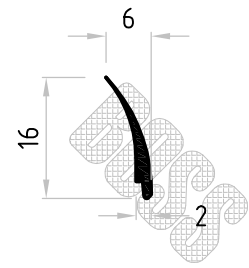
Part No. D02630



Part No. D02337

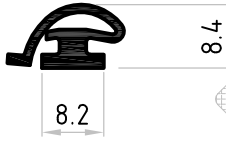


Part No. D02466

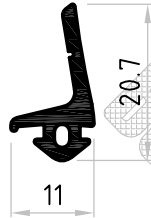


Part No. D02696

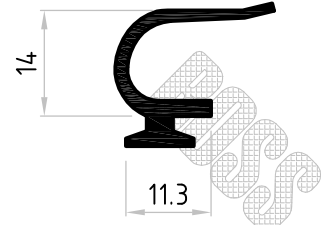
* Profile drawings appearing in this section are indicative only. some profiles may be restricted to specific customers, patents and or other limitations, The material displayed on this page may not be reprinted or otherwise reproduced without the express written permission of Boss Polymer Technologies.



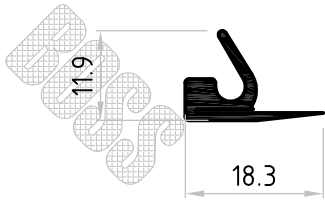
Part No. D03155



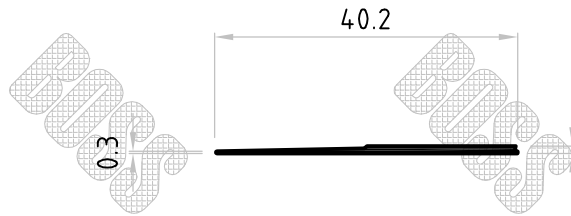
Part No. D03526



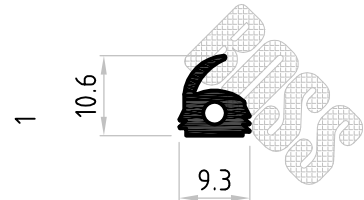
Part No. D03156



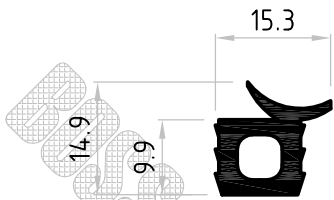
Part No. D03319



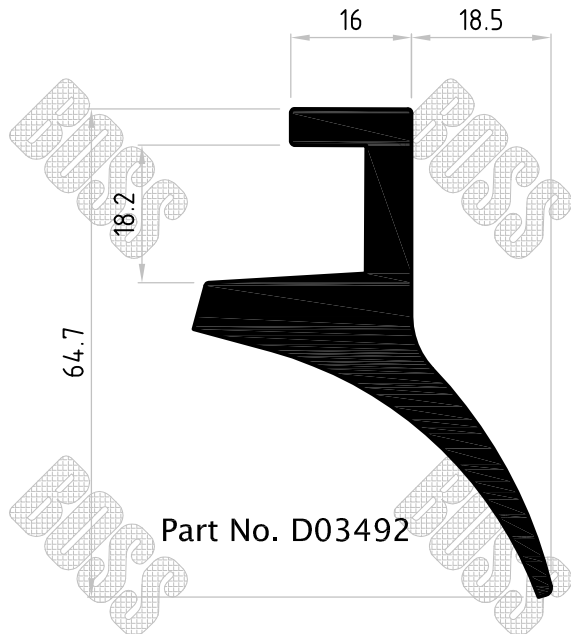
Part No. D02912



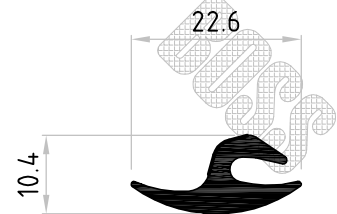
Part No. D03655



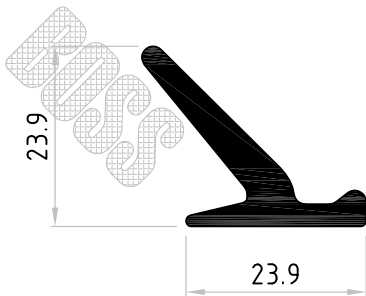
Part No. D00769



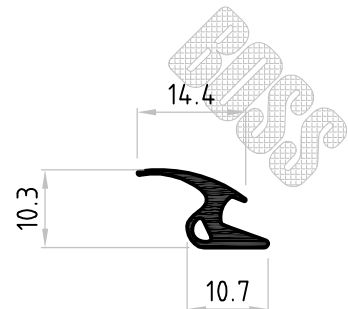
Part No. D03492



Part No. D03399



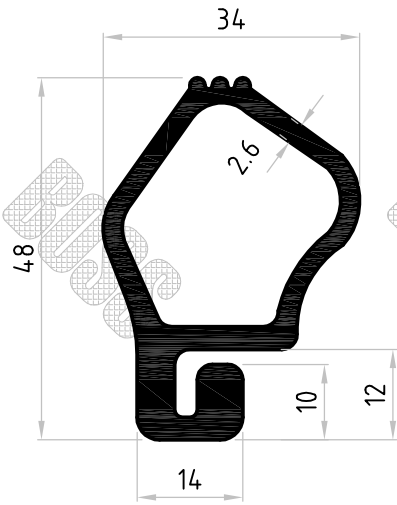
Part No. D02431



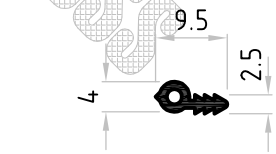
Part No. D03501

* Profile drawings appearing in this section are indicative only. some profiles may be restricted to specific customers, patents and or other limitations. The material displayed on this page may not be reprinted or otherwise reproduced without the express written permission of Boss Polymer Technologies.

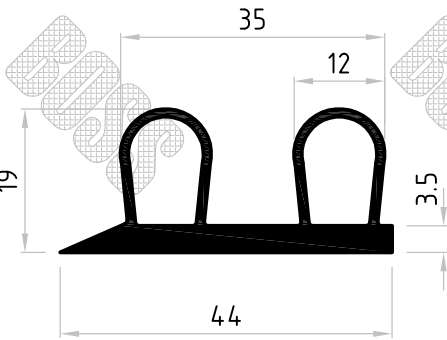
BOSS POLYMER TECHNOLOGIES PTY LTD
Melbourne Australia
PH: (613) 9561 2777
FAX: (613) 9560 8777
www.bosspolymer.com.au
E-MAIL: sales@bosspolymer.com.au



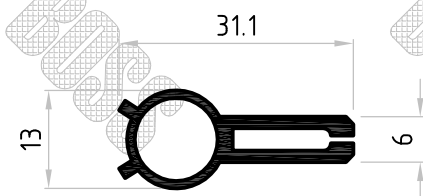
Part No. D03104



Part No. D02304



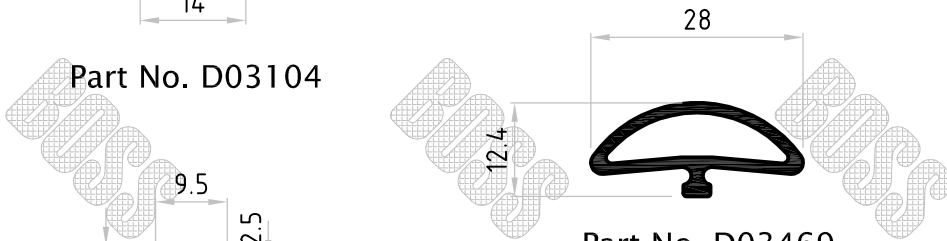
Part No. D01095



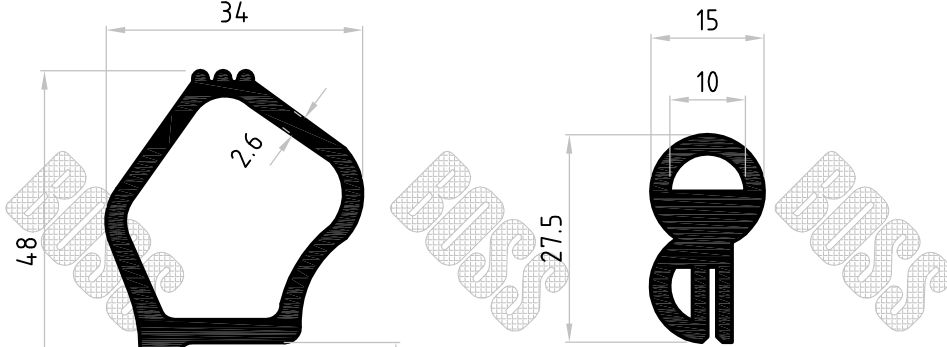
Part No. D02911



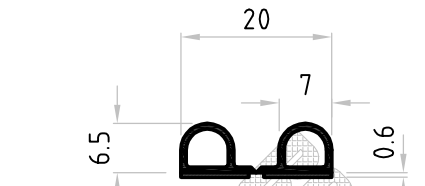
Part No. D02584



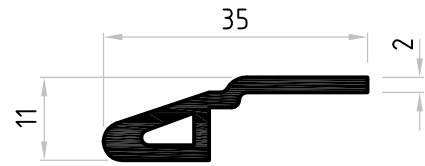
Part No. D03469



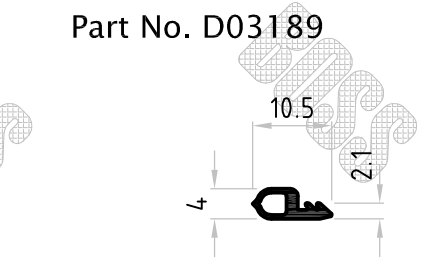
Part No. D02495



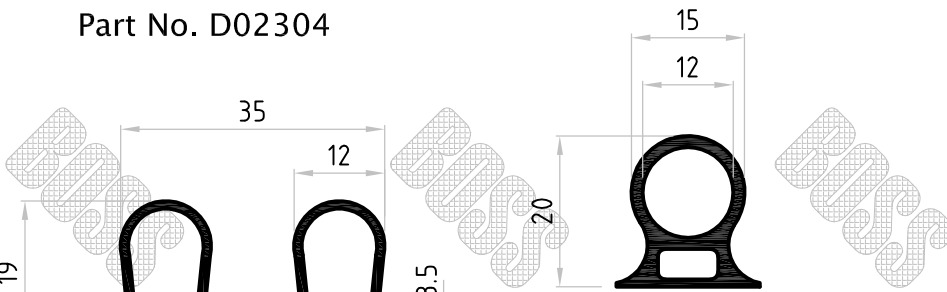
Part No. SK0058



Part No. D03189



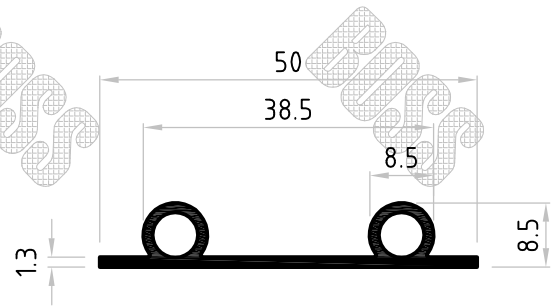
Part No. D02492



Part No. D02201



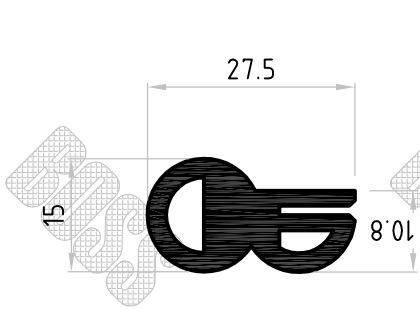
Part No. D03016



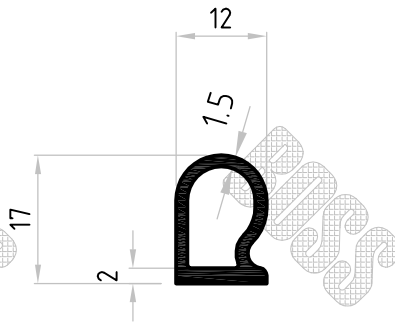
Part No. D00908

* Profile drawings appearing in this section are indicative only. some profiles may be restricted to specific customers, patents and or other limitations. The material displayed on this page may not be reprinted or otherwise reproduced without the express written permission of Boss Polymer Technologies.

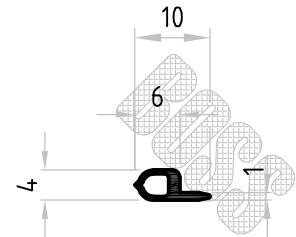
BOSS POLYMER TECHNOLOGIES PTY LTD
Melbourne Australia
PH: (613) 9561 2777
FAX: (613) 9560 8777
www.bosspolymer.com.au
E-MAIL: sales@bosspolymer.com.au



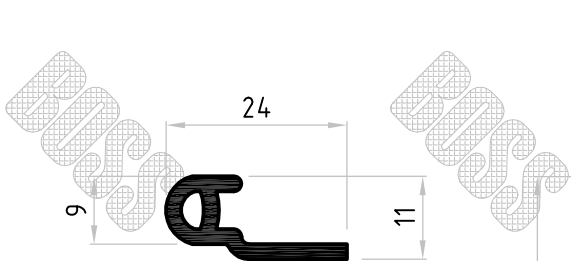
Part No. D02495



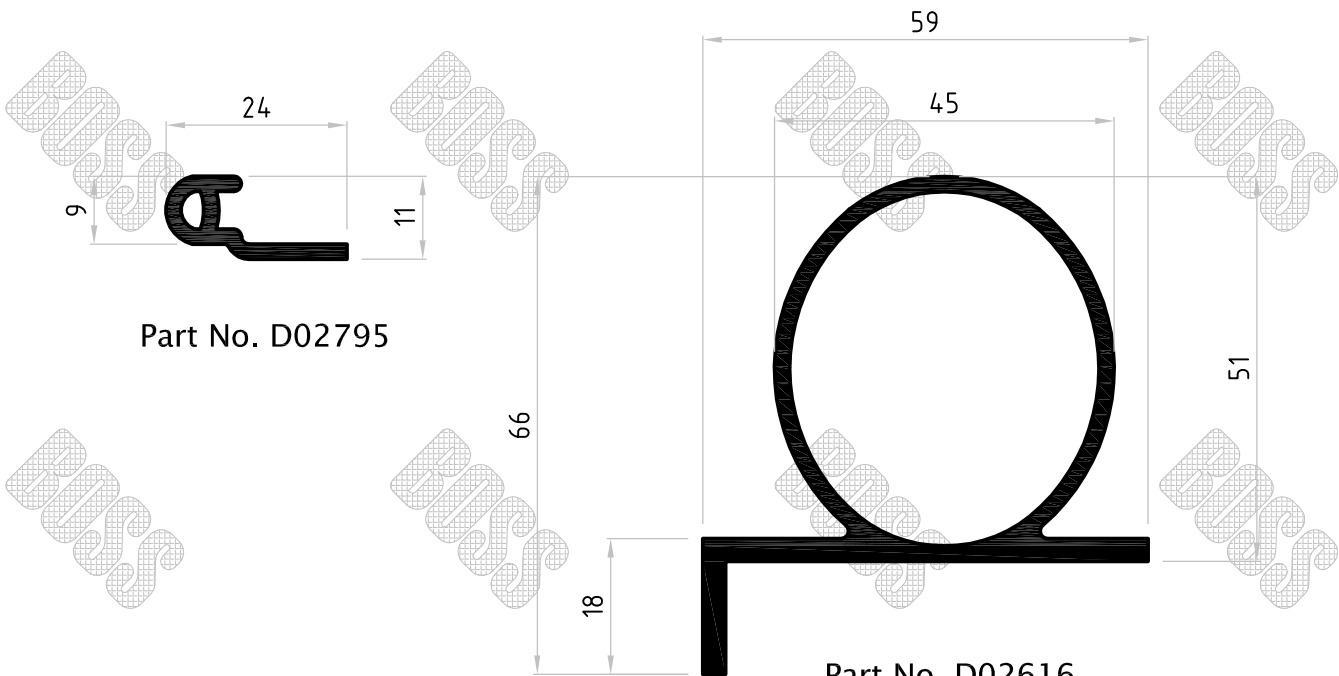
Part No. D02700



Part No. D02430



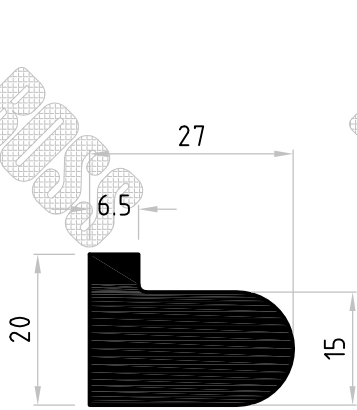
Part No. D02795



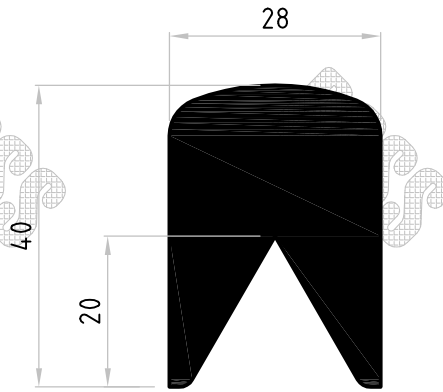
Part No. D02616

* Profile drawings appearing in this section are indicative only. some profiles may be restricted to specific customers, patents and or other limitations, The material displayed on this page may not be reprinted or otherwise reproduced without the express written permission of Boss Polymer Technologies.

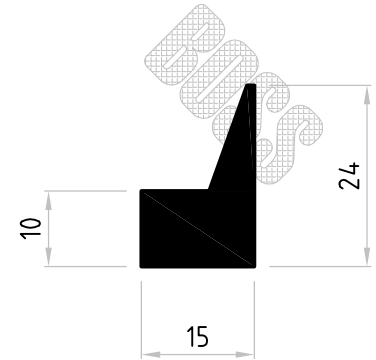
BOSS POLYMER TECHNOLOGIES PTY LTD
Melbourne Australia
PH: (613) 9561 2777
FAX: (613) 9560 8777
www.bosspolymer.com.au
E-MAIL: sales@bosspolymer.com.au



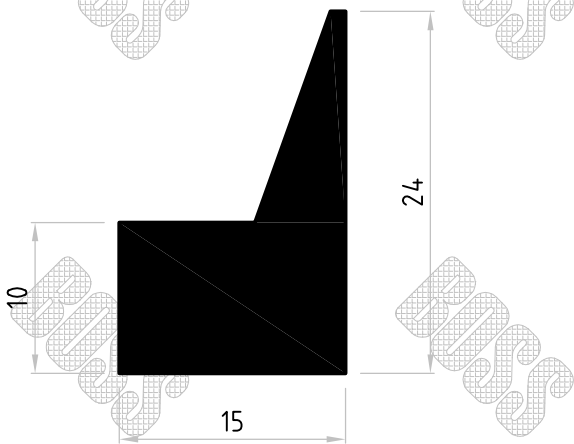
Part No. D02866



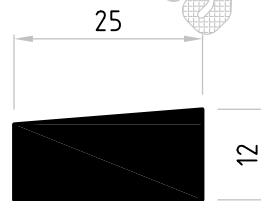
Part No. D02314



Part No. D03100



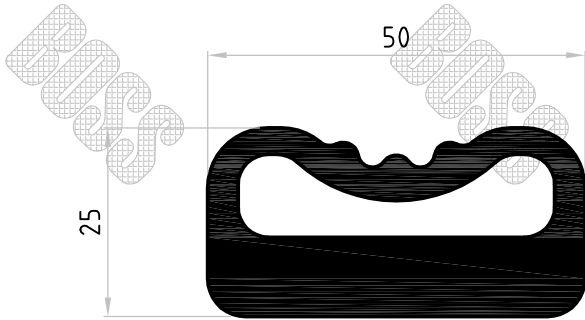
Part No. D03176



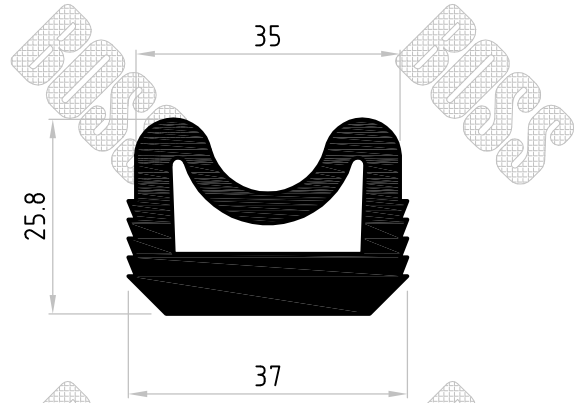
Part No. D03517

* Profile drawings appearing in this section are indicative only. some profiles may be restricted to specific customers, patents and or other limitations, The material displayed on this page may not be reprinted or otherwise reproduced without the express written permission of Boss Polymer Technologies.

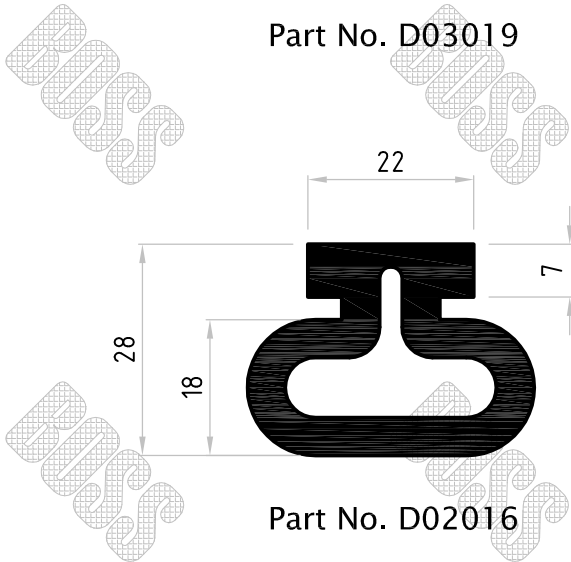
BOSS POLYMER TECHNOLOGIES PTY LTD
Melbourne Australia
PH: (613) 9561 2777
FAX: (613) 9560 8777
www.bosspolymer.com.au
E-MAIL: sales@bosspolymer.com.au



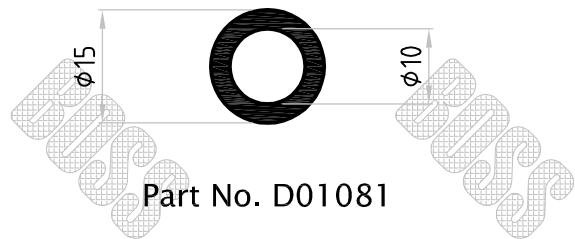
Part No. D03019



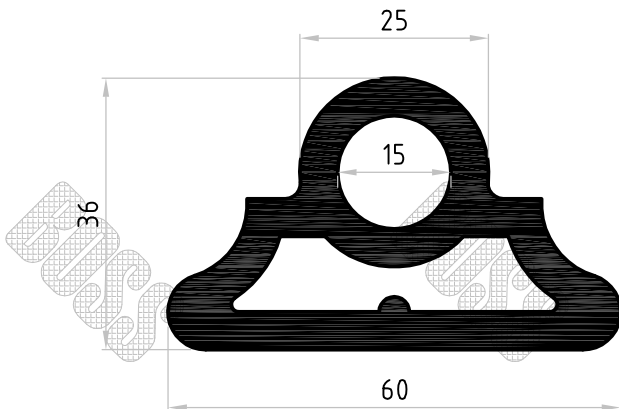
Part No. D02255



Part No. D02016



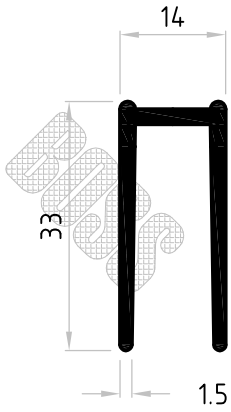
Part No. D01081



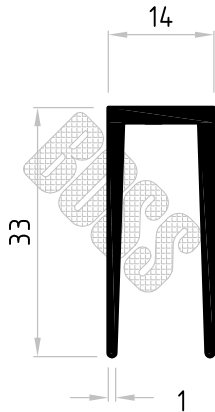
Part No. D02311

* Profile drawings appearing in this section are indicative only. some profiles may be restricted to specific customers, patents and or other limitations, The material displayed on this page may not be reprinted or otherwise reproduced without the express written permission of Boss Polymer Technologies.

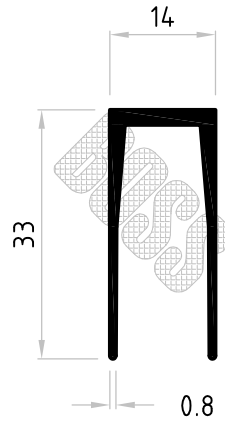
BOSS POLYMER TECHNOLOGIES PTY LTD
Melbourne Australia
PH: (613) 9561 2777
FAX: (613) 9560 8777
www.bosspolymer.com.au
E-MAIL: sales@bosspolymer.com.au



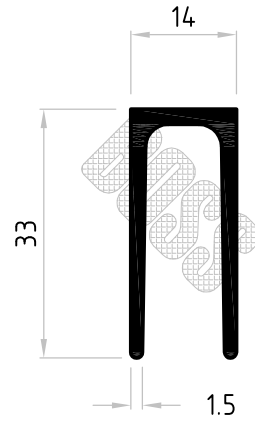
Part No. D02065



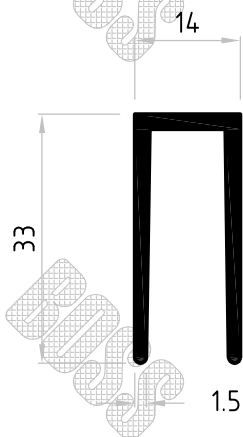
Part No. D02252
Part No. D02497
Part No. D02970



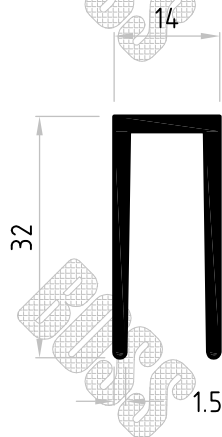
Part No. D03027



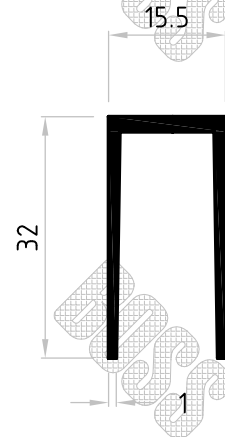
Part No. D02165



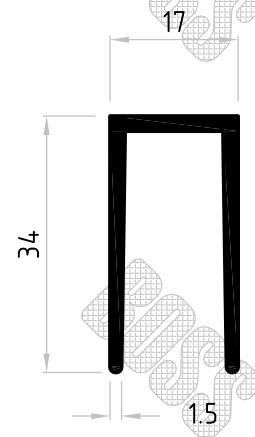
Part No. D01055
Part No. D01070
Part No. D01090
Part No. D02115
Part No. D02116
Part No. D02166
Part No. D02193
Part No. D02044
Part No. D02241
Part No. D02970



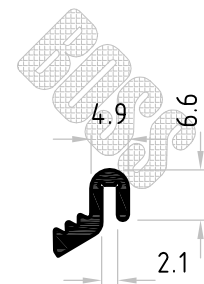
Part No. D00992
Part No. D02009
Part No. D02019
Part No. D02253



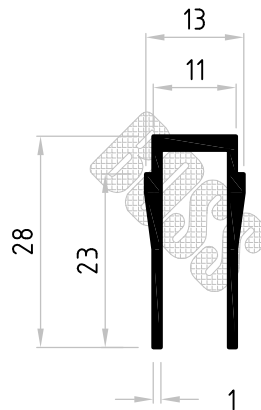
Part No. D00997



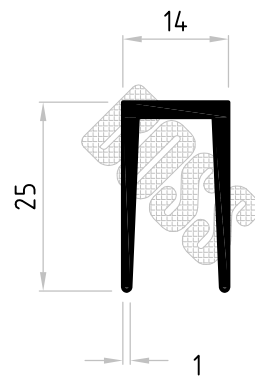
Part No. D02233



Part No. D03487

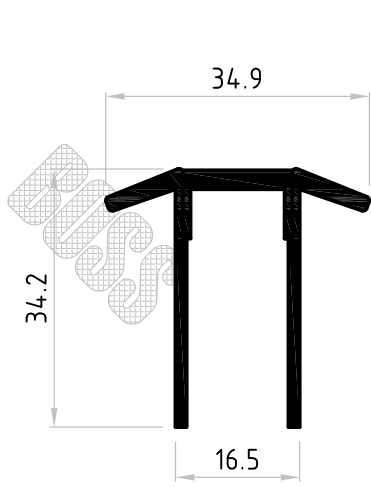


Part No. D02244

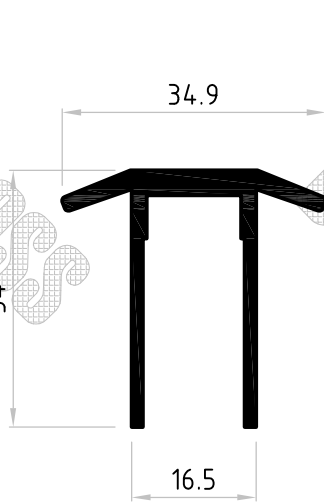


Part No. D02540

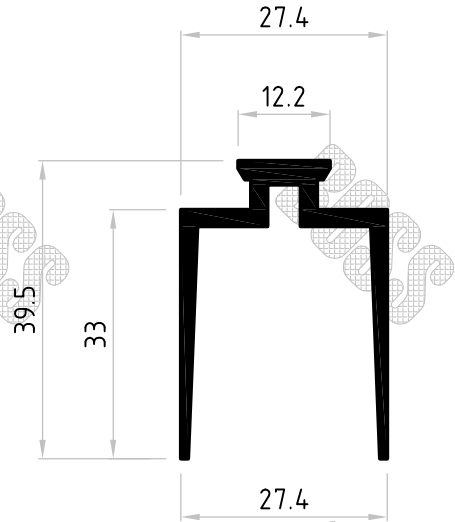
* Profile drawings appearing in this section are indicative only. some profiles may be restricted to specific customers, patents and or other limitations, The material displayed on this page may not be reprinted or otherwise reproduced without the express written permission of Boss Polymer Technologies.



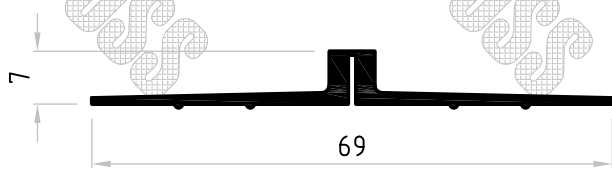
Part No. D02066



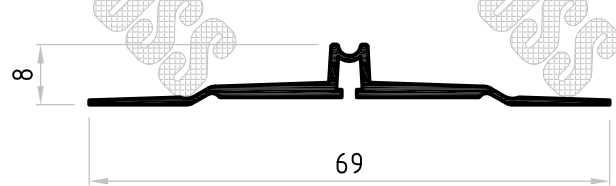
Part No. D01050



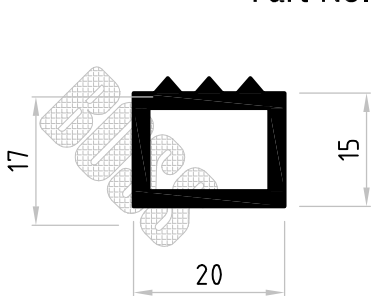
Part No. D02259



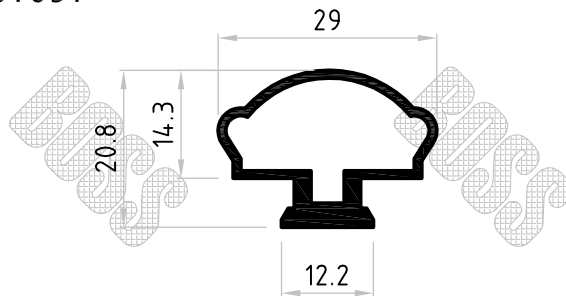
Part No. D01051



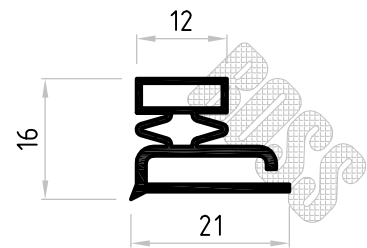
Part No. D03294



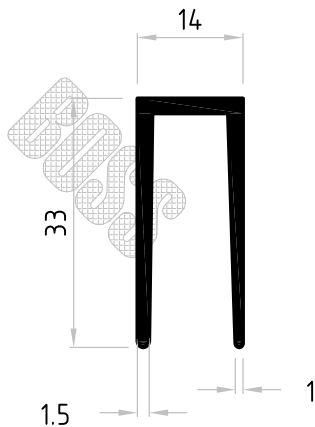
Part No. D01043



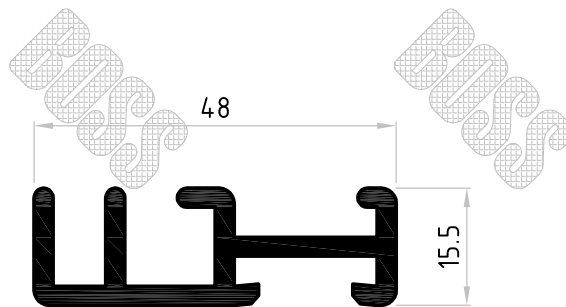
Part No. D02267



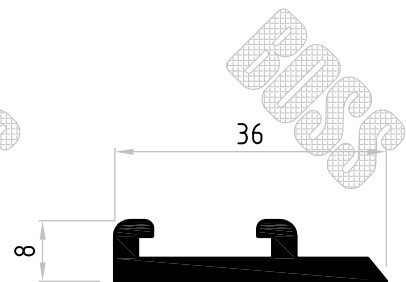
Part No. D01077



Part No. D01061



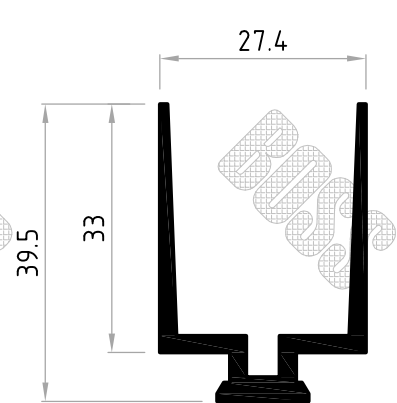
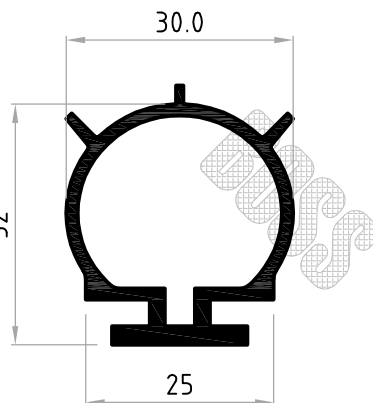
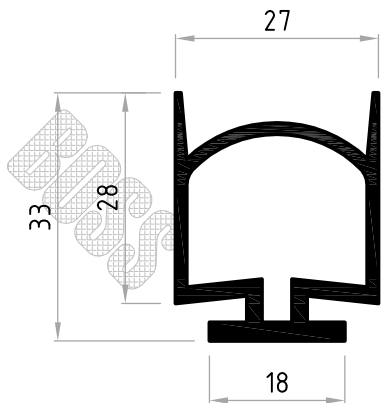
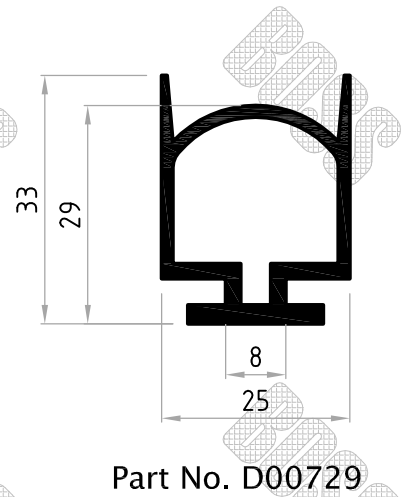
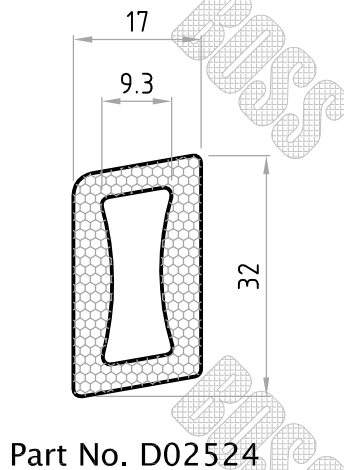
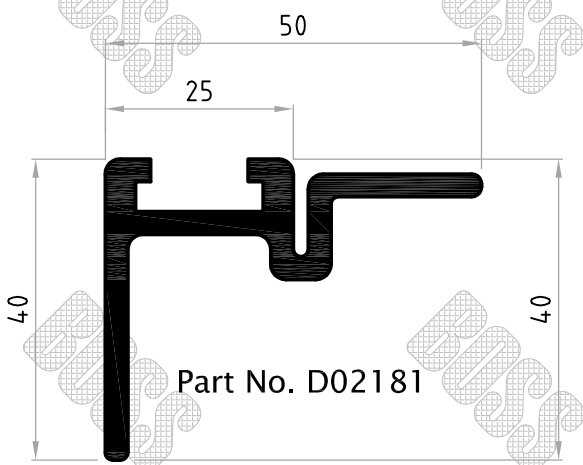
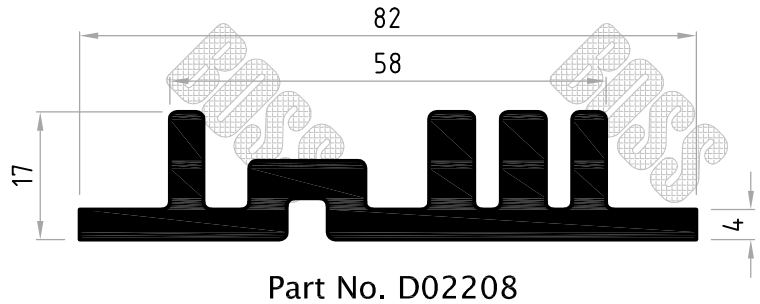
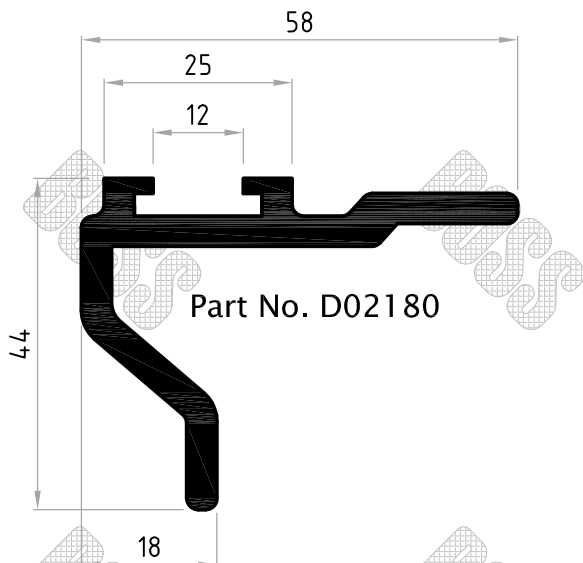
Part No. D02196



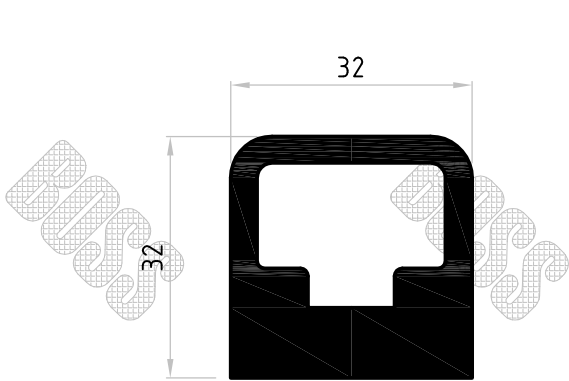
Part No. D02182

* Profile drawings appearing in this section are indicative only. some profiles may be restricted to specific customers, patents and or other limitations. The material displayed on this page may not be reprinted or otherwise reproduced without the express written permission of Boss Polymer Technologies.

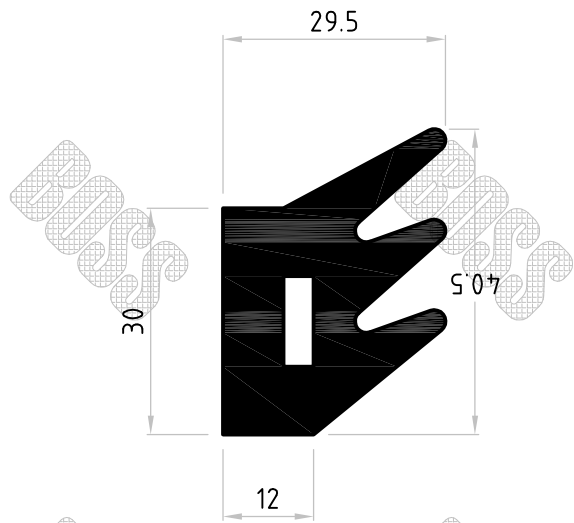
BOSS POLYMER TECHNOLOGIES PTY LTD
Melbourne Australia
PH: (613) 9561 2777
FAX: (613) 9560 8777
www.bosspolymer.com.au
E-MAIL: sales@bosspolymer.com.au



* Profile drawings appearing in this section are indicative only. some profiles may be restricted to specific customers, patents and or other limitations. The material displayed on this page may not be reprinted or otherwise reproduced without the express written permission of Boss Polymer Technologies.

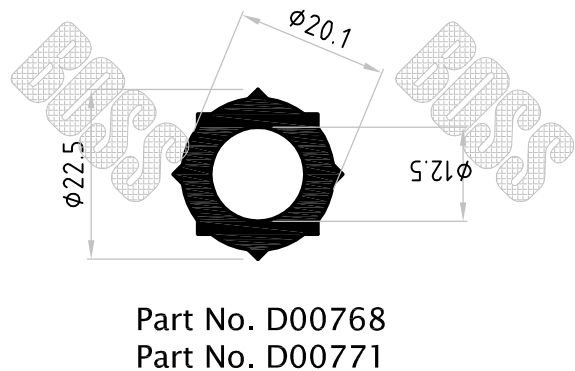
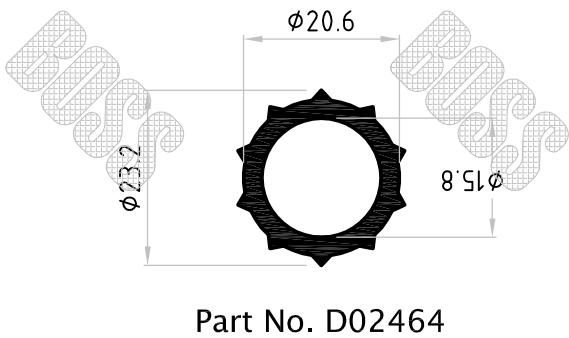
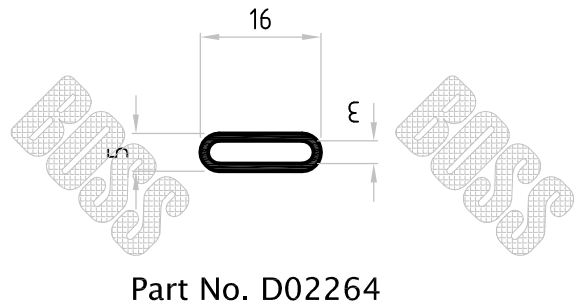
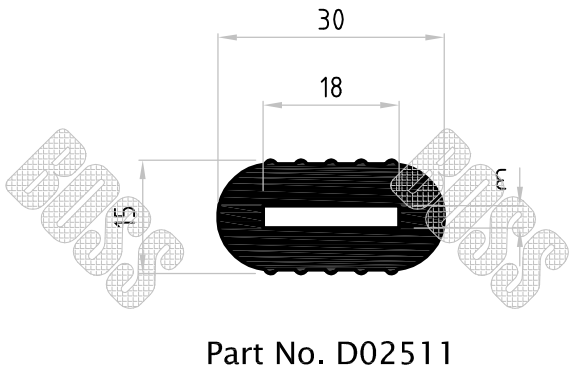
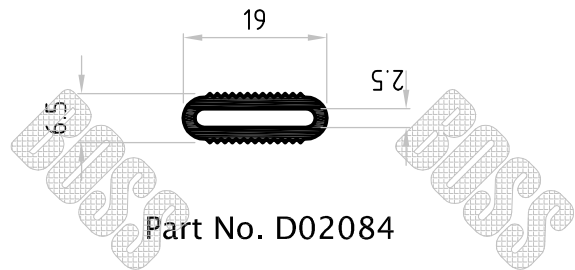
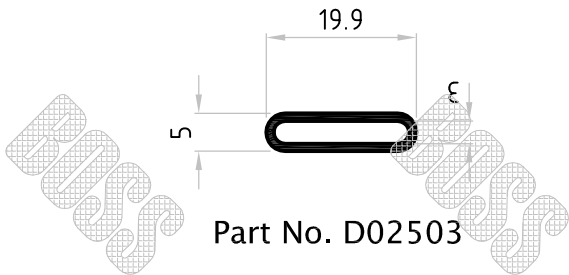
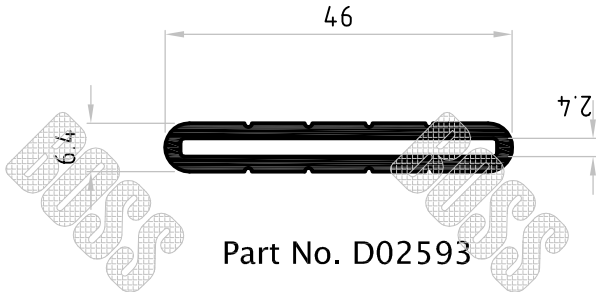


Part No. D03606

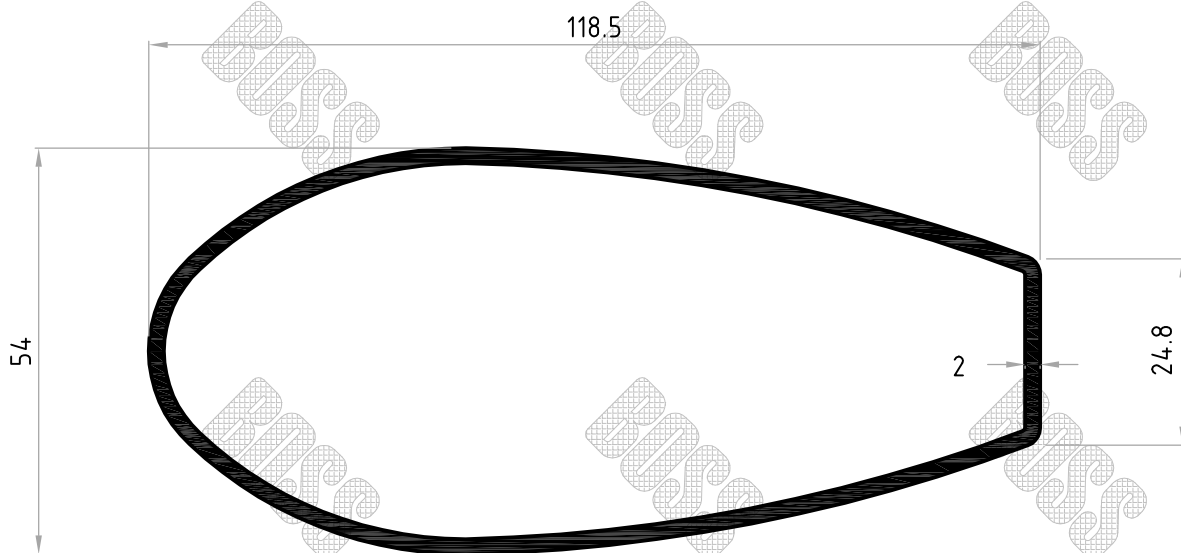


Part No. D00653

* Profile drawings appearing in this section are indicative only. some profiles may be restricted to specific customers, patents and or other limitations, The material displayed on this page may not be reprinted or otherwise reproduced without the express written permission of Boss Polymer Technologies.

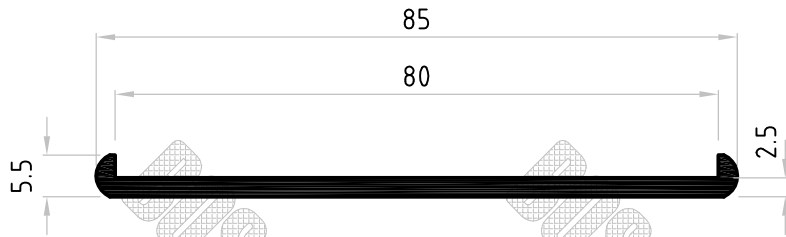


* Profile drawings appearing in this section are indicative only. some profiles may be restricted to specific customers, patents and or other limitations. The material displayed on this page may not be reprinted or otherwise reproduced without the express written permission of Boss Polymer Technologies.

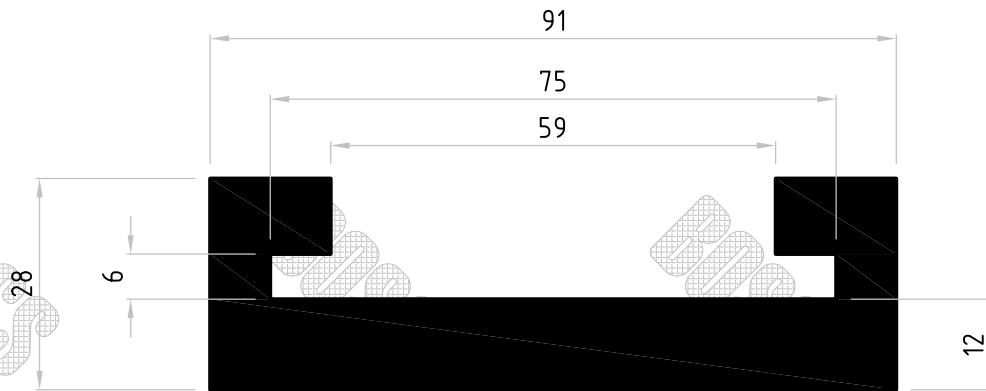


Part No. D02170

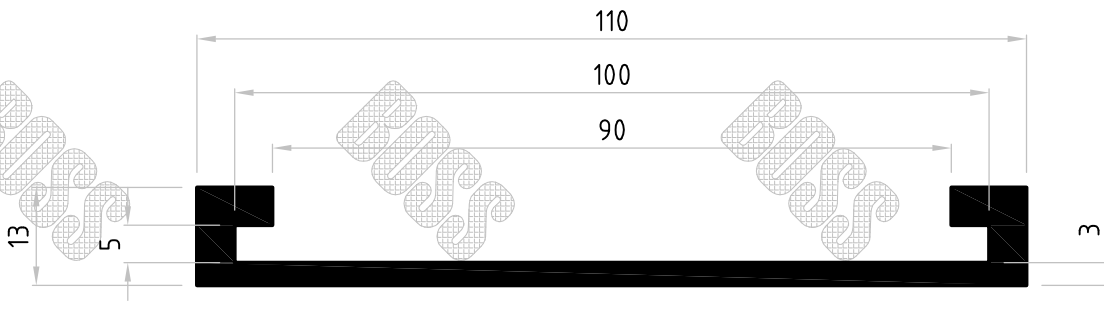
* Profile drawings appearing in this section are indicative only. some profiles may be restricted to specific customers, patents and or other limitations, The material displayed on this page may not be reprinted or otherwise reproduced without the express written permission of Boss Polymer Technologies.



Part No. D03127



Part No. D02173



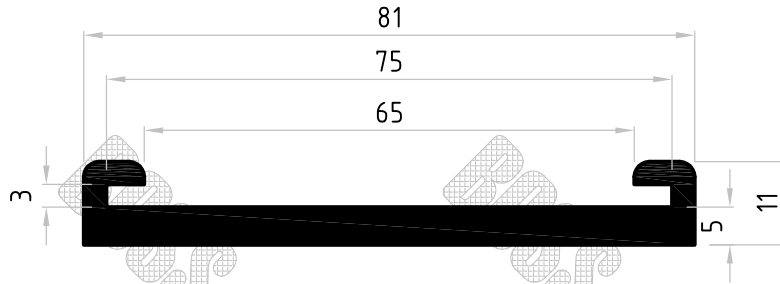
Part No. D03128



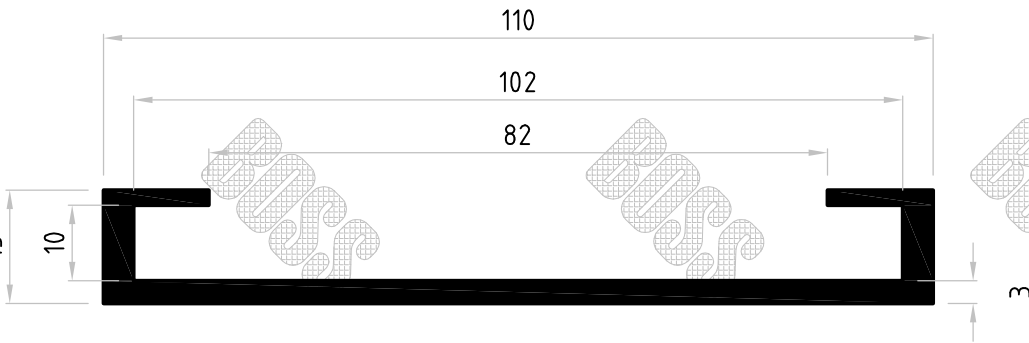
Part No. D02171

* Profile drawings appearing in this section are indicative only. some profiles may be restricted to specific customers, patents and or other limitations, The material displayed on this page may not be reprinted or otherwise reproduced without the express written permission of Boss Polymer Technologies.

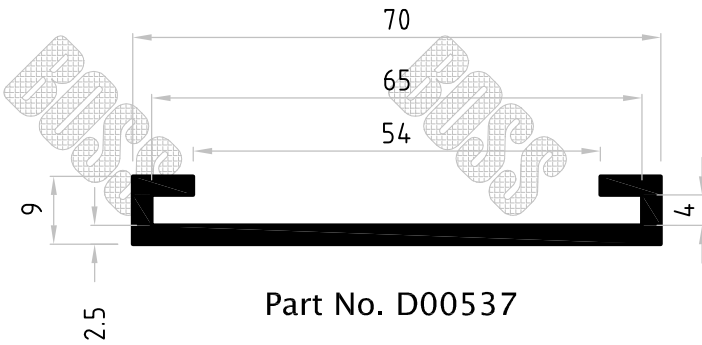
BOSS POLYMER TECHNOLOGIES PTY LTD
Melbourne Australia
PH: (613) 9561 2777
FAX: (613) 9560 8777
www.bosspolymer.com.au
E-MAIL: sales@bosspolymer.com.au



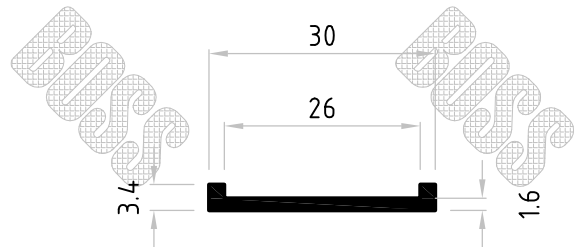
Part No. D02174



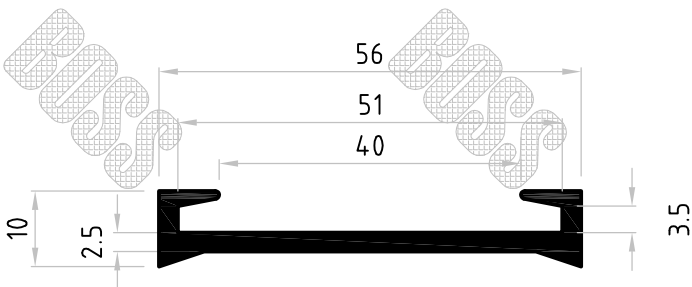
Part No. D01083



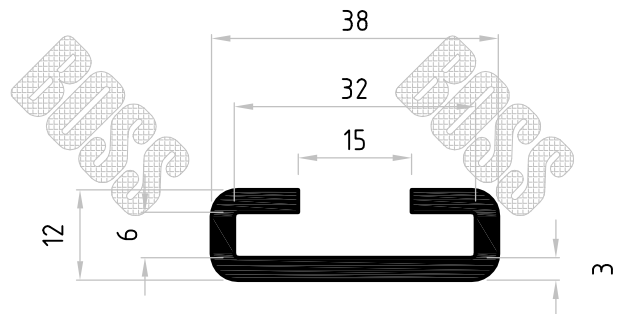
Part No. D00537



Part No. D03129

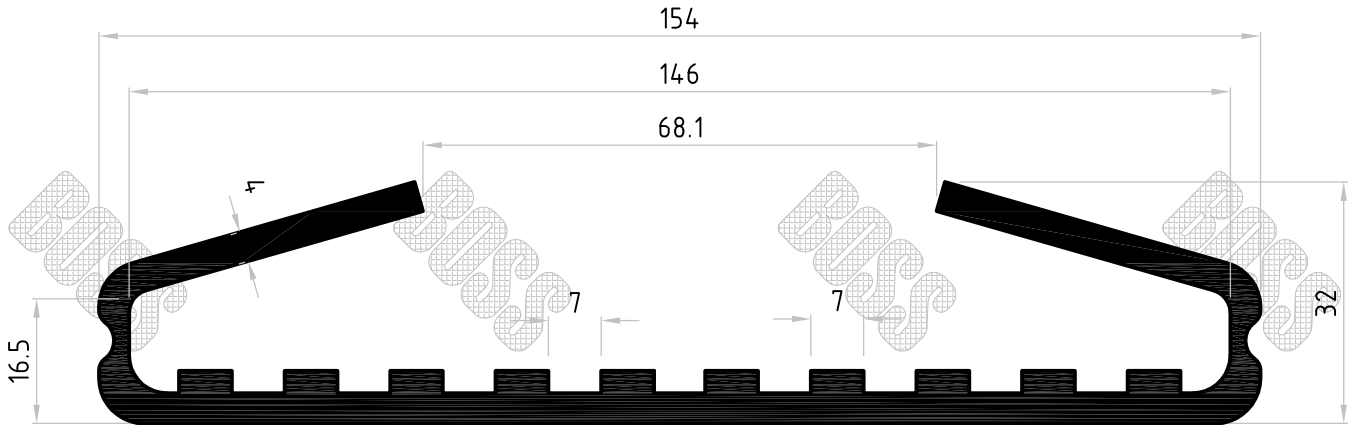


Part No. D03126
Part No. D03295

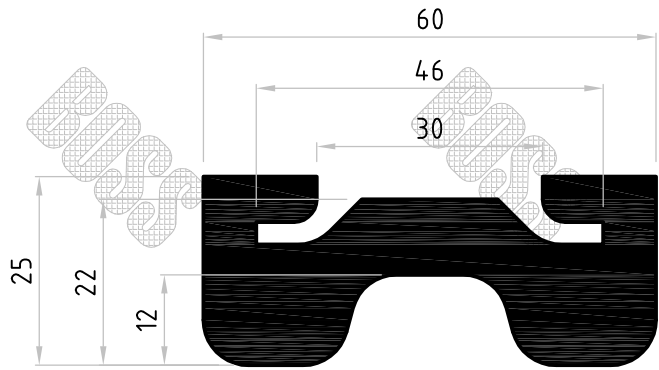


Part No. D01064

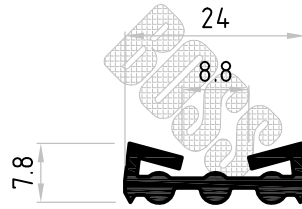
* Profile drawings appearing in this section are indicative only. some profiles may be restricted to specific customers, patents and or other limitations, The material displayed on this page may not be reprinted or otherwise reproduced without the express written permission of Boss Polymer Technologies.



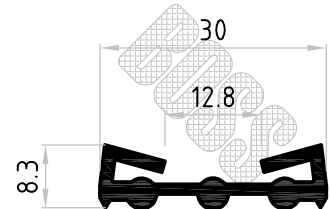
Part No. D02439



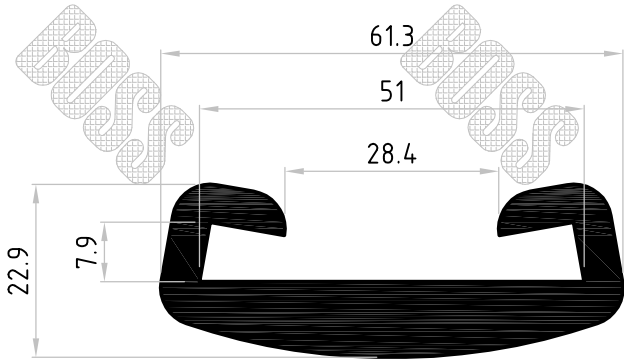
Part No. D03072



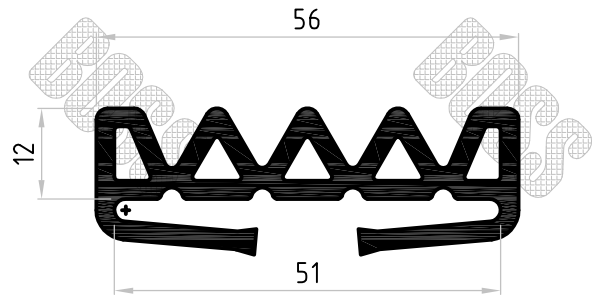
Part No. D02522



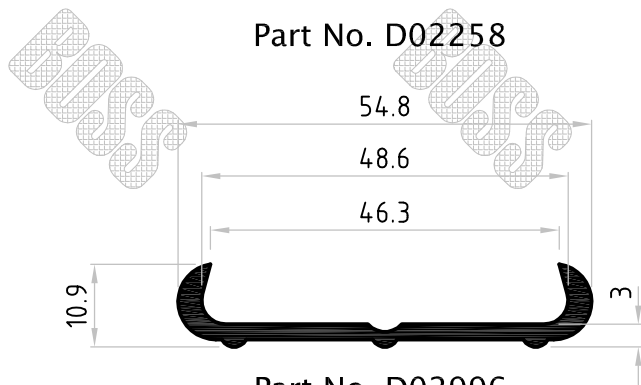
Part No. D02523



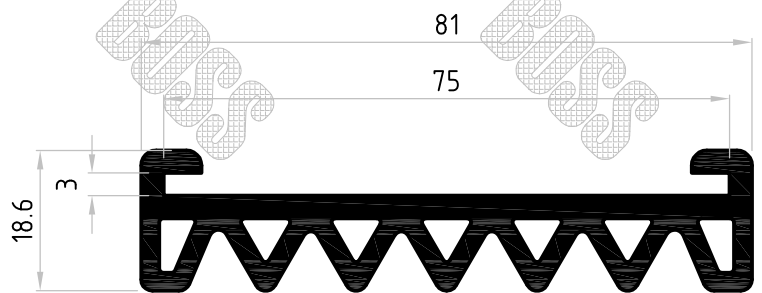
Part No. D02258



Part No. D03190

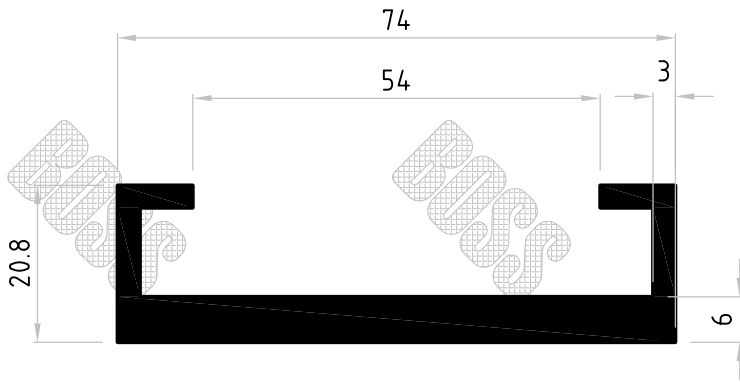


Part No. D02996

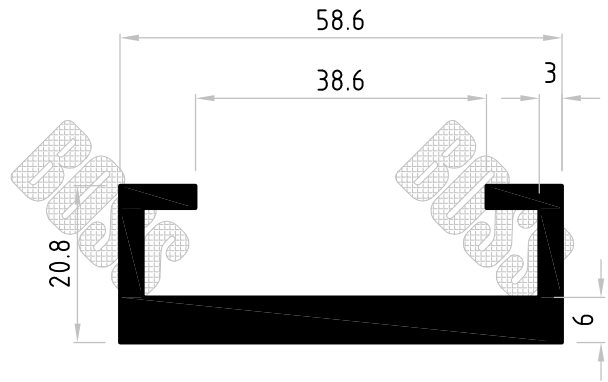


Part No. D03386

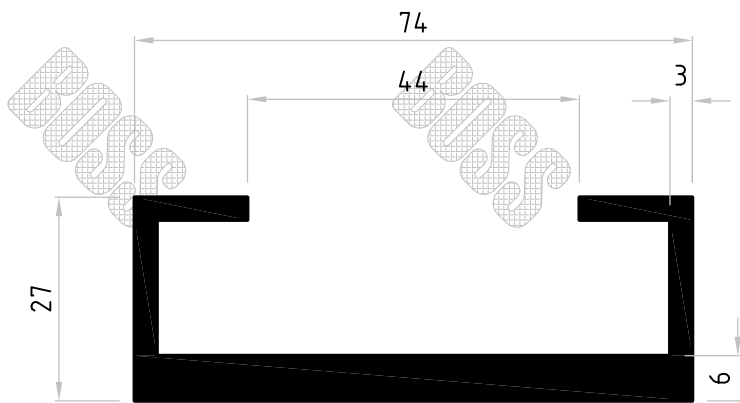
* Profile drawings appearing in this section are indicative only. some profiles may be restricted to specific customers, patents and or other limitations, The material displayed on this page may not be reprinted or otherwise reproduced without the express written permission of Boss Polymer Technologies.



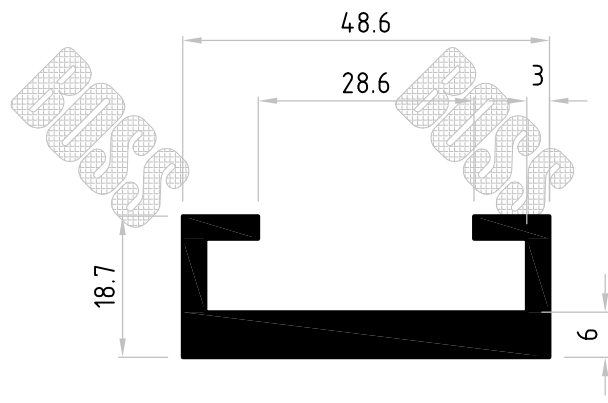
Part No. D03543



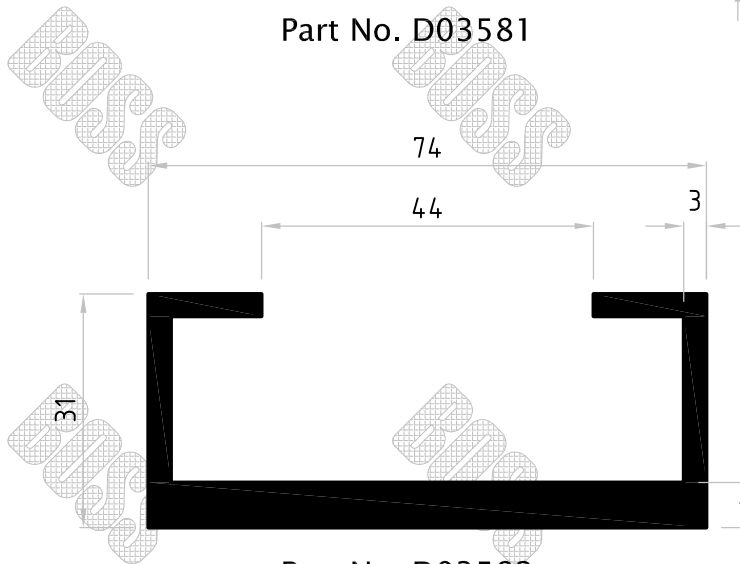
Part No. D03580



Part No. D03581



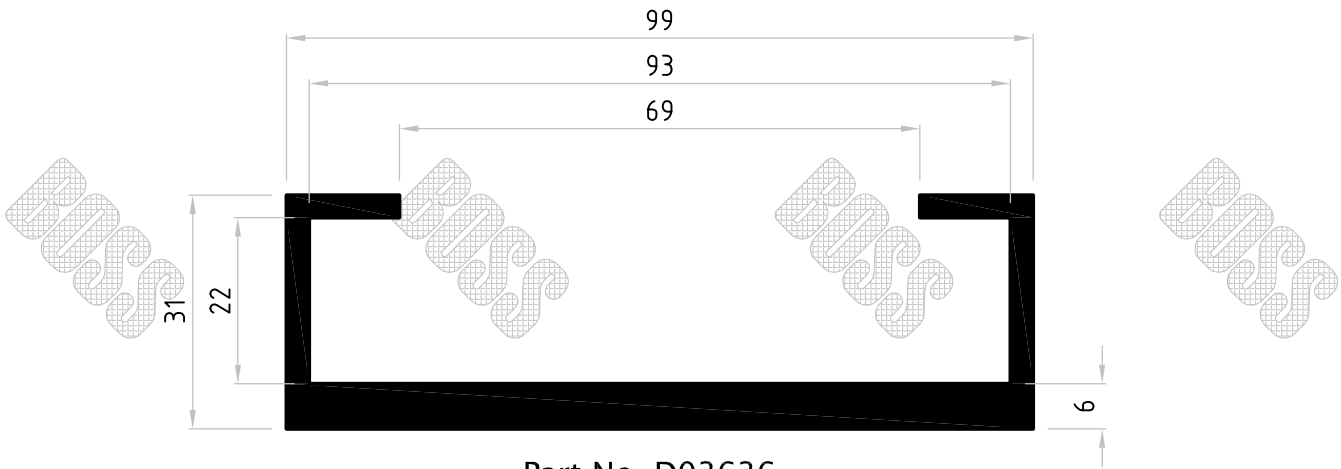
Part No. D03611



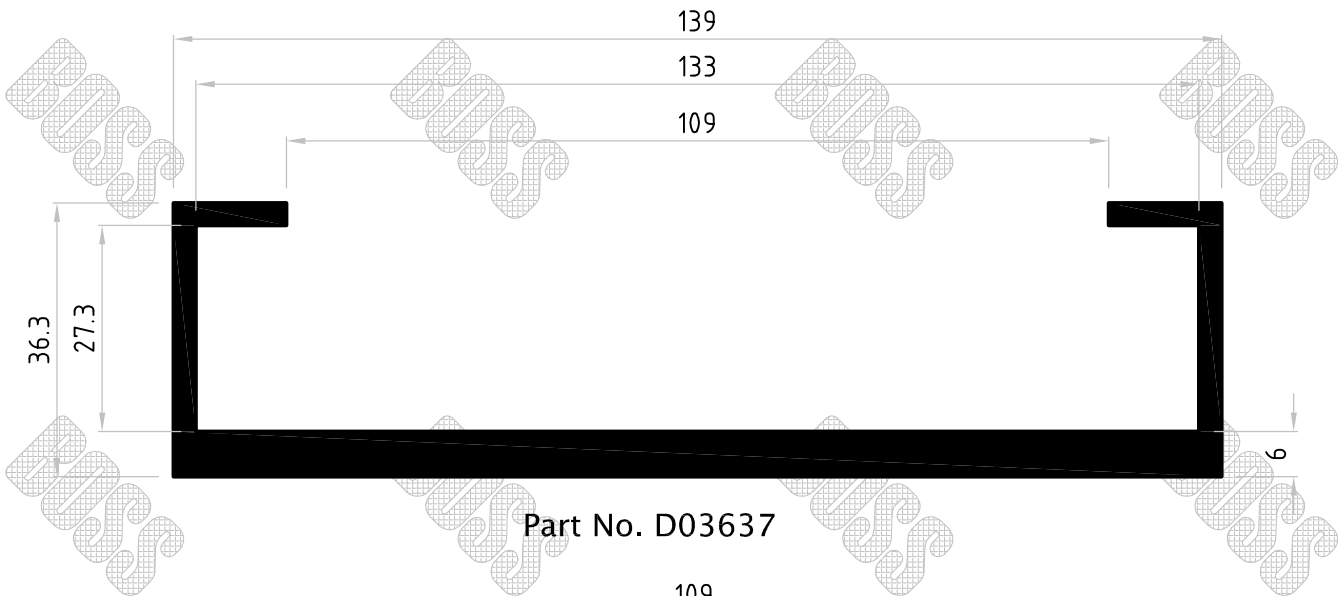
Part No. D03582

* Profile drawings appearing in this section are indicative only. some profiles may be restricted to specific customers, patents and or other limitations, The material displayed on this page may not be reprinted or otherwise reproduced without the express written permission of Boss Polymer Technologies.

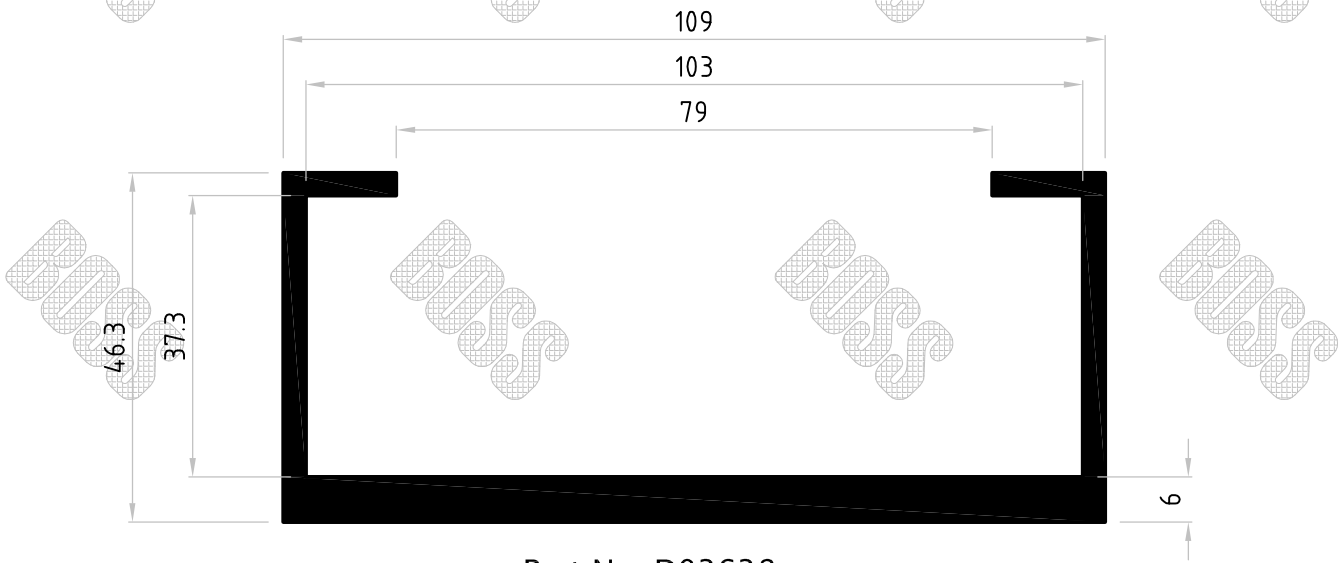
BOSS POLYMER TECHNOLOGIES PTY LTD
Melbourne Australia
PH: (613) 9561 2777
FAX: (613) 9560 8777
www.bosspolymer.com.au
E-MAIL: sales@bosspolymer.com.au



Part No. D03636

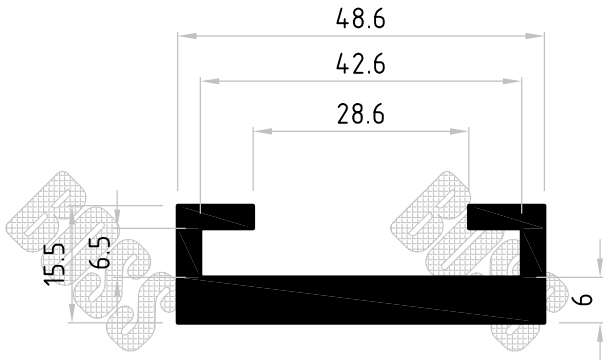


Part No. D03637

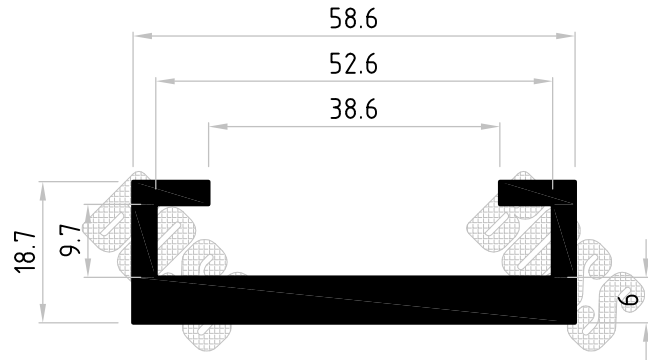


Part No. D03638

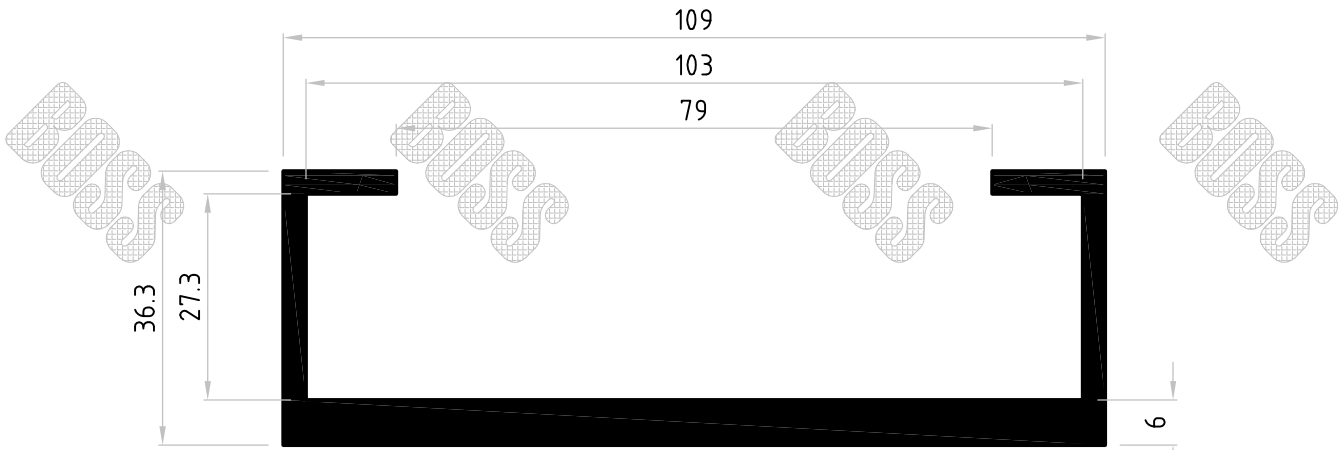
* Profile drawings appearing in this section are indicative only. some profiles may be restricted to specific customers, patents and or other limitations, The material displayed on this page may not be reprinted or otherwise reproduced without the express written permission of Boss Polymer Technologies.



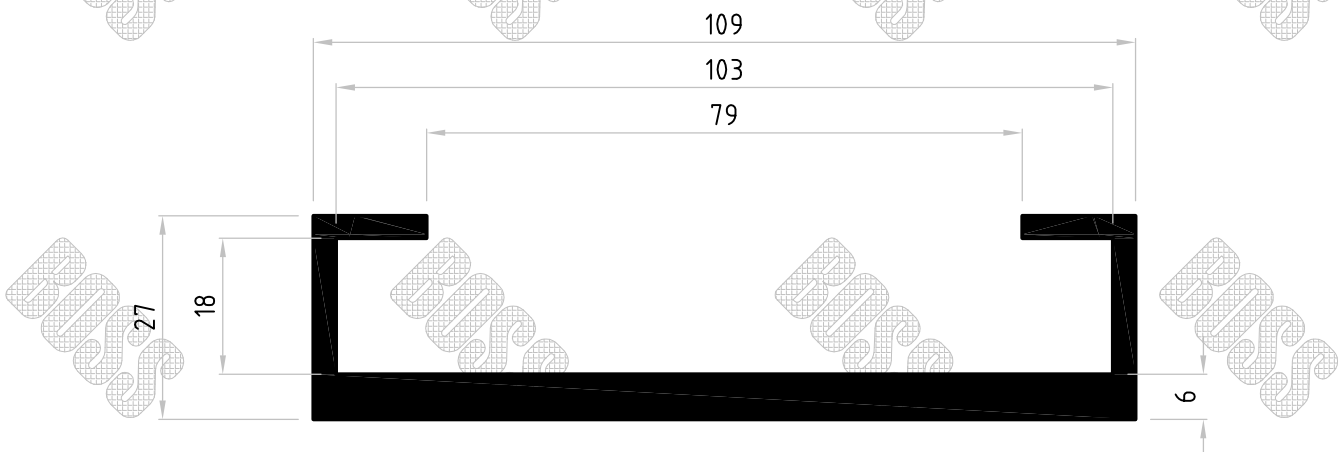
Part No. D03639



Part No. D03647

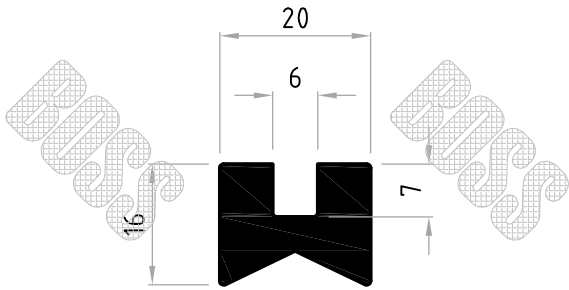


Part No. D03648

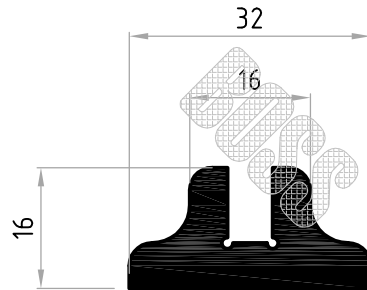


Part No. D03649

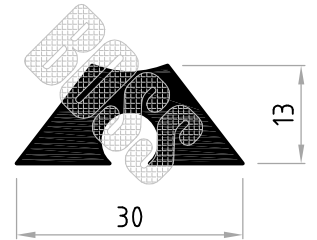
* Profile drawings appearing in this section are indicative only. some profiles may be restricted to specific customers, patents and or other limitations, The material displayed on this page may not be reprinted or otherwise reproduced without the express written permission of Boss Polymer Technologies.



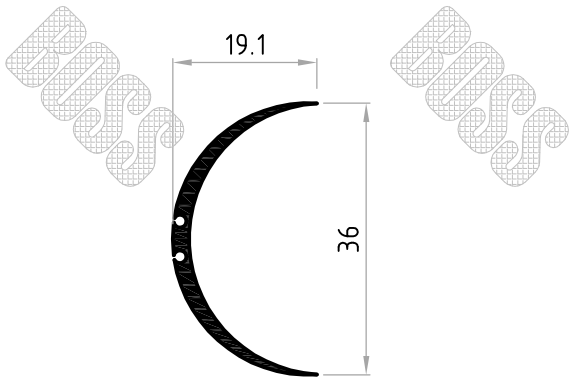
Part No. D03183



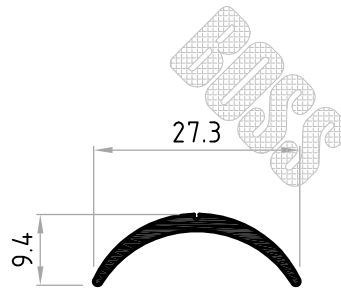
Part No. D03356



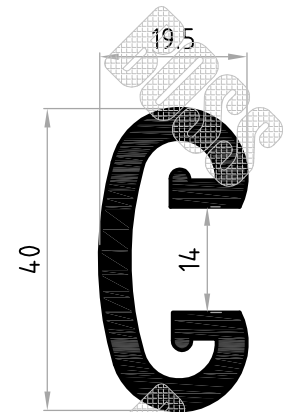
Part No. D03309



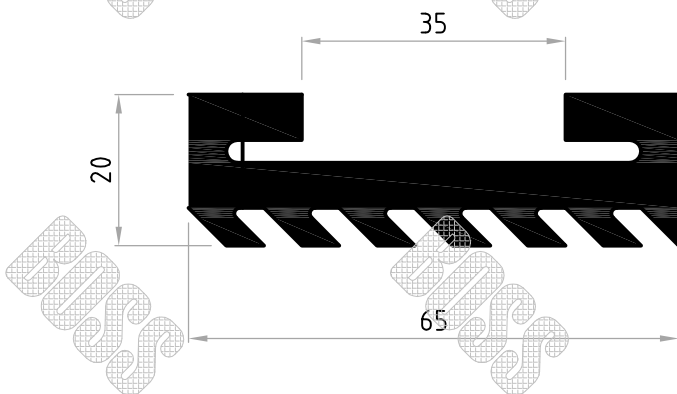
Part No. D02546



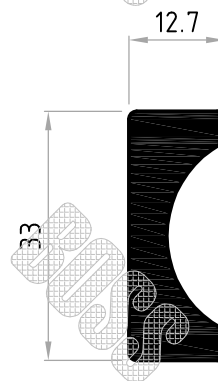
Part No. D03518



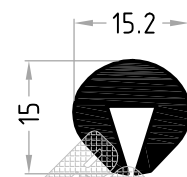
Part No. D02266



Part No. D02105



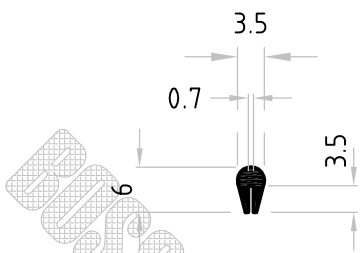
Part No. D00597



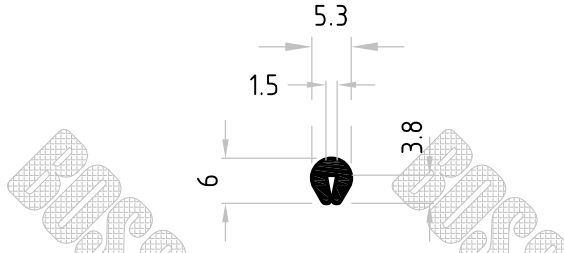
Part No. D03654

* Profile drawings appearing in this section are indicative only. some profiles may be restricted to specific customers, patents and or other limitations, The material displayed on this page may not be reprinted or otherwise reproduced without the express written permission of Boss Polymer Technologies.

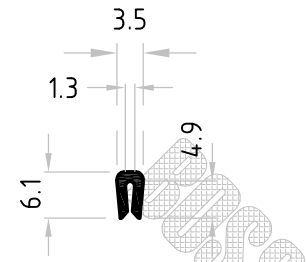
BOSS POLYMER TECHNOLOGIES PTY LTD
Melbourne Australia
PH: (613) 9561 2777
FAX: (613) 9560 8777
www.bosspolymer.com.au
E-MAIL: sales@bosspolymer.com.au



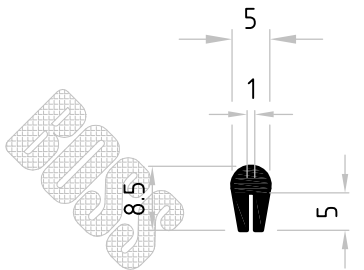
Part No. D02358



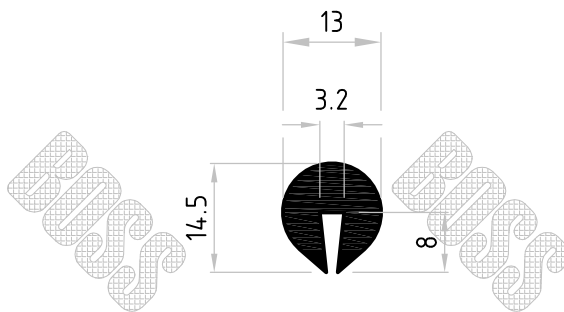
Part No. D00925



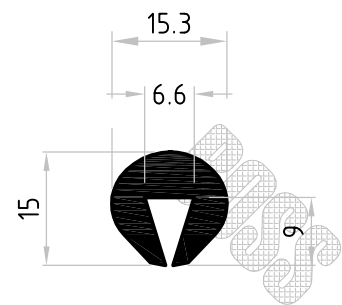
Part No. D02575



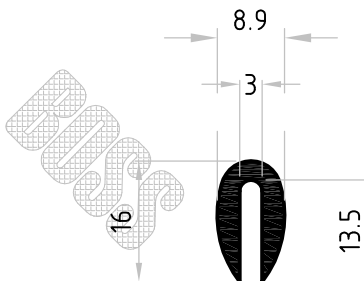
Part No. D01069



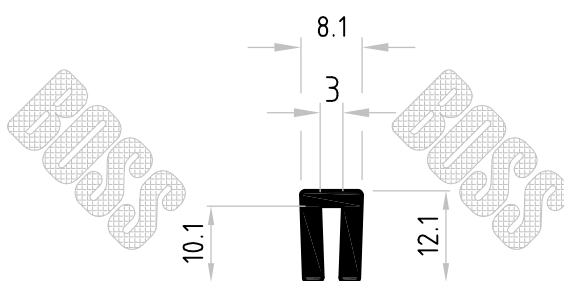
Part No. D02243



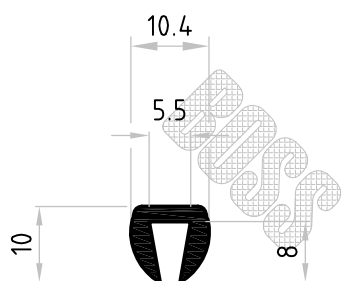
Part No. D02223



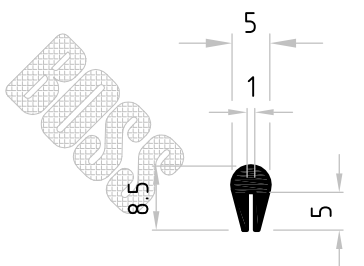
Part No. D02080



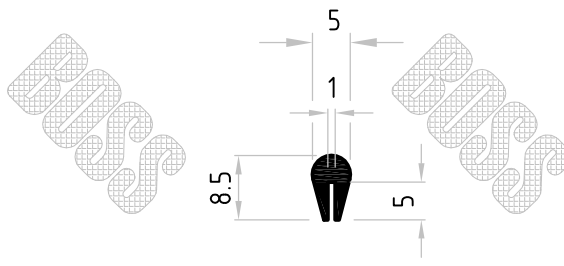
Part No. D02356



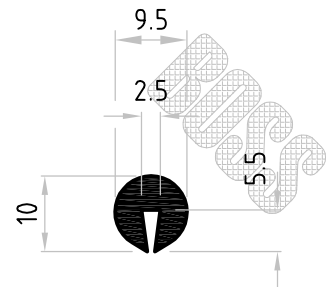
Part No. D02327



Part No. D02202



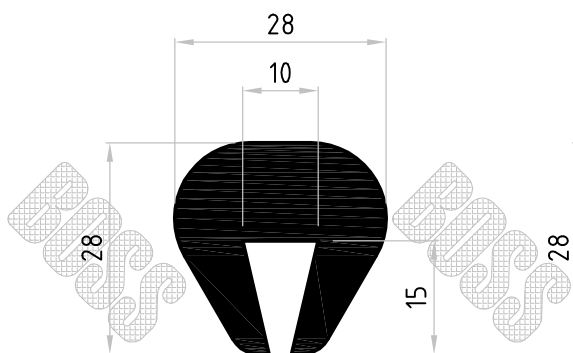
Part No. D02206
Part No. D02463



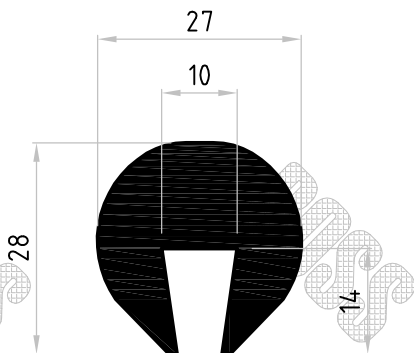
Part No. D02321

* Profile drawings appearing in this section are indicative only. some profiles may be restricted to specific customers, patents and or other limitations. The material displayed on this page may not be reprinted or otherwise reproduced without the express written permission of Boss Polymer Technologies.

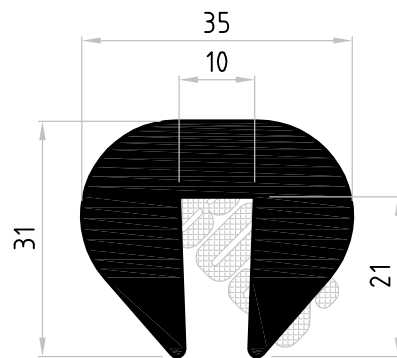
BOSS POLYMER TECHNOLOGIES PTY LTD
Melbourne Australia
PH: (613) 9561 2777
FAX: (613) 9560 8777
www.bosspolymer.com.au
E-MAIL: sales@bosspolymer.com.au



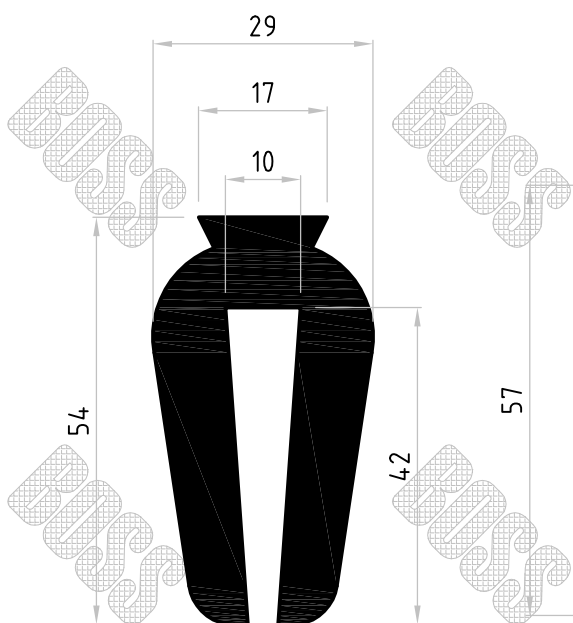
No. 5
Part No. D00689



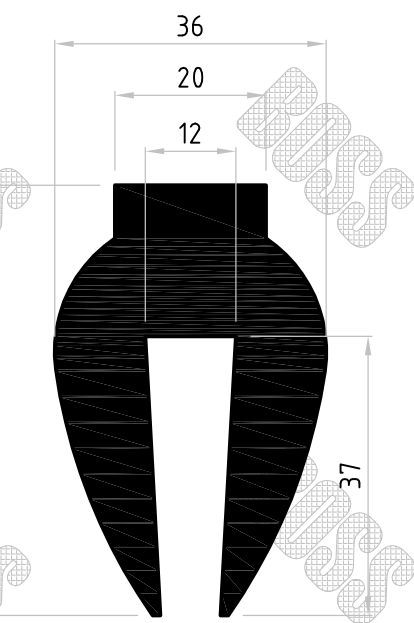
No. 5
Part No. D02444



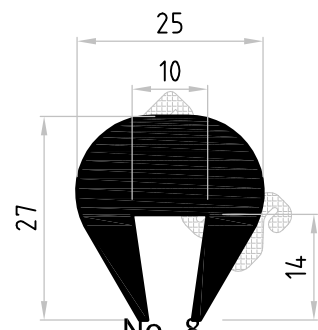
No. 7
Part No. D00692



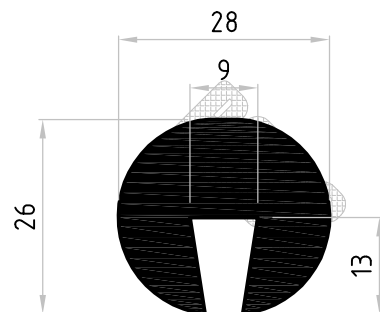
No. 6
Part No. D02393



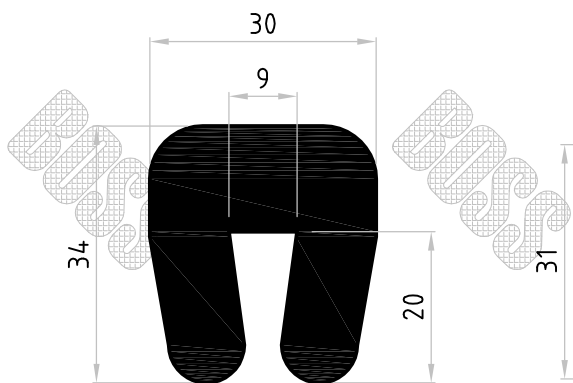
No. 6
Part No. D00690



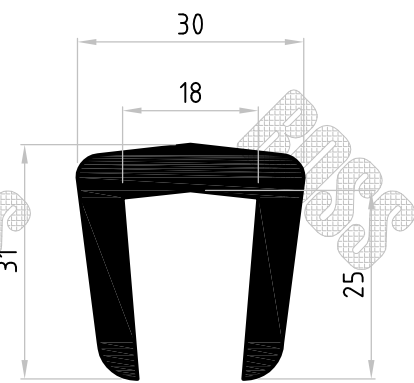
No. 8
Part No. D02583



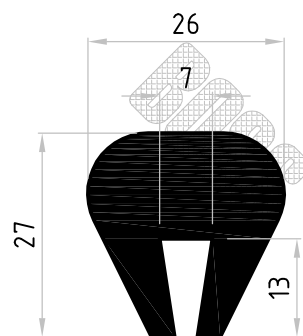
No. 8
Part No. D02640



No. 9
Part No. D02637



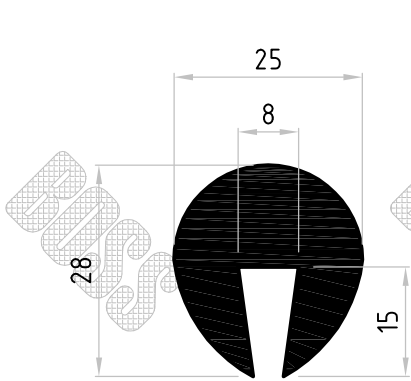
No. 10
Part No. D02636



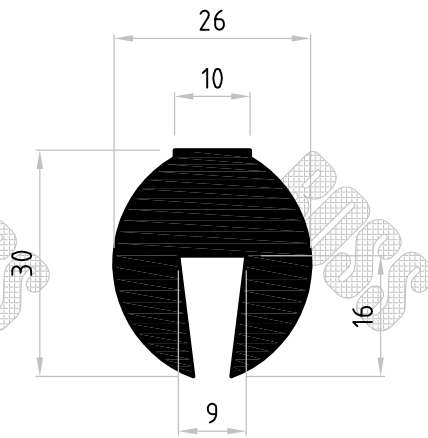
No. 11
Part No. D02635

* Profile drawings appearing in this section are indicative only. some profiles may be restricted to specific customers, patents and or other limitations, The material displayed on this page may not be reprinted or otherwise reproduced without the express written permission of Boss Polymer Technologies.

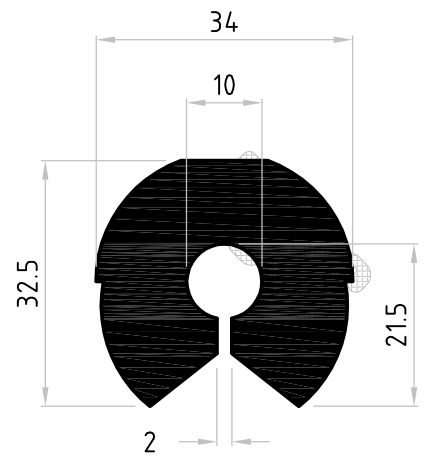
BOSS POLYMER TECHNOLOGIES PTY LTD
Melbourne Australia
PH: (613) 9561 2777
FAX: (613) 9560 8777
www.bosspolymer.com.au
E-MAIL: sales@bosspolymer.com.au



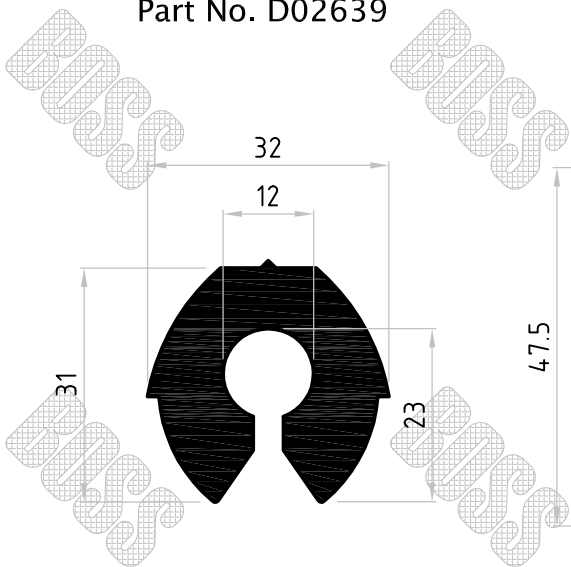
No. 12
Part No. D02639



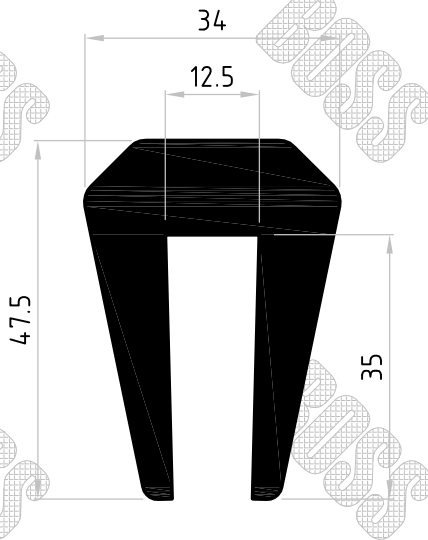
No. 12
Part No. D02638



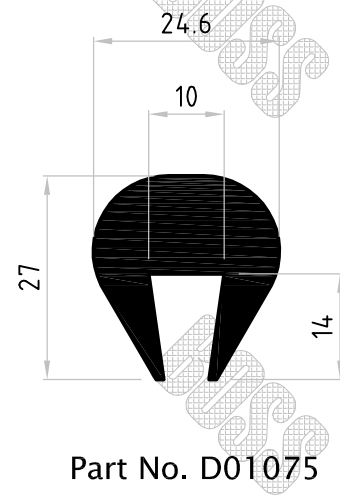
No. 13
Part No. D01089



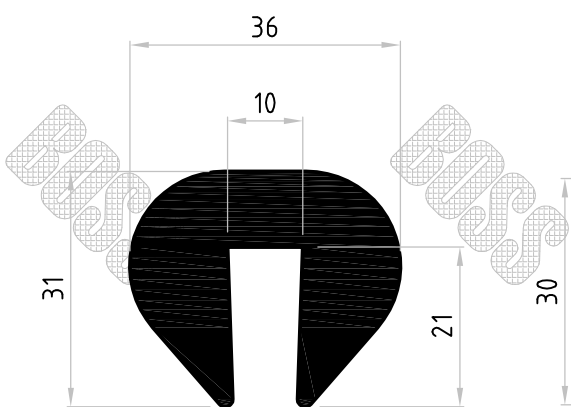
No. 13
Part No. D02427



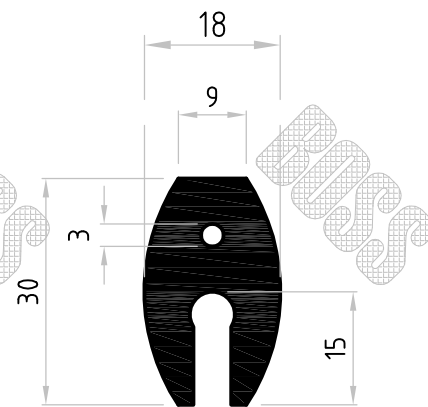
No. 14
Part No. D02488



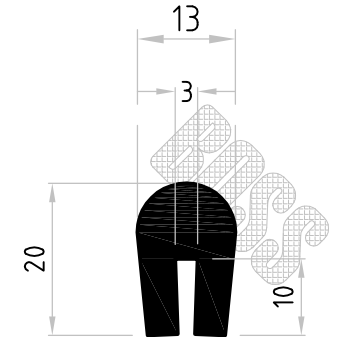
Part No. D01075



Part No. D02633



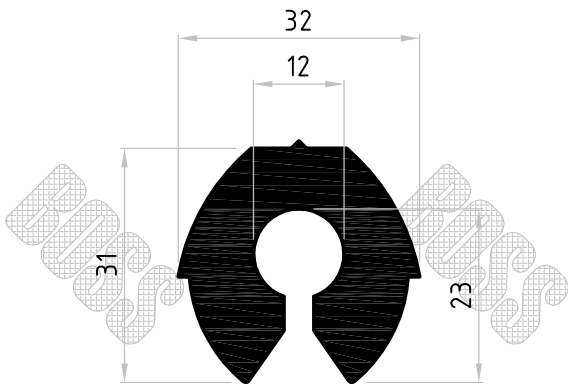
Part No. D02480



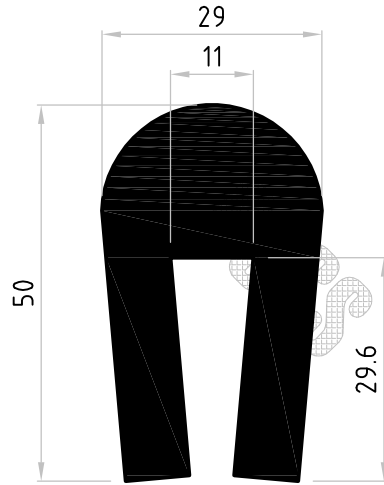
Part No. D02059

* Profile drawings appearing in this section are indicative only. some profiles may be restricted to specific customers, patents and or other limitations, The material displayed on this page may not be reprinted or otherwise reproduced without the express written permission of Boss Polymer Technologies.

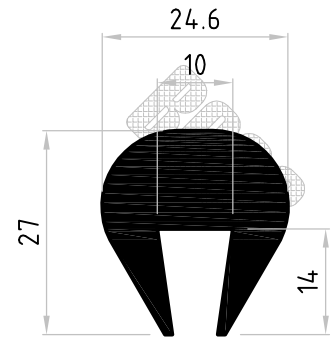
BOSS POLYMER TECHNOLOGIES PTY LTD
Melbourne Australia
PH: (613) 9561 2777
FAX: (613) 9560 8777
www.bosspolymer.com.au
E-MAIL: sales@bosspolymer.com.au



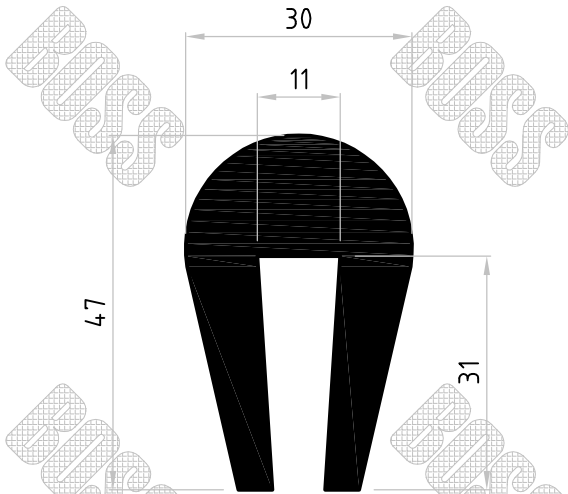
No. 13
Part No. D02155



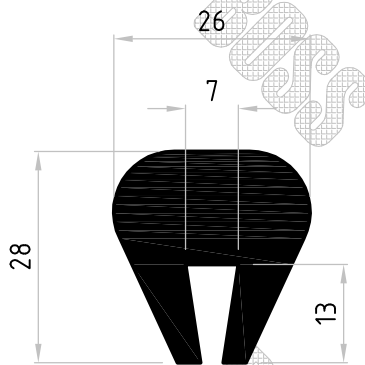
Part No. D02002



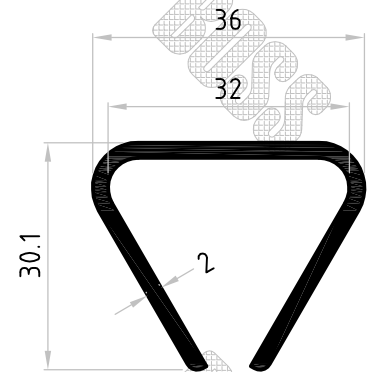
Part No. D02365



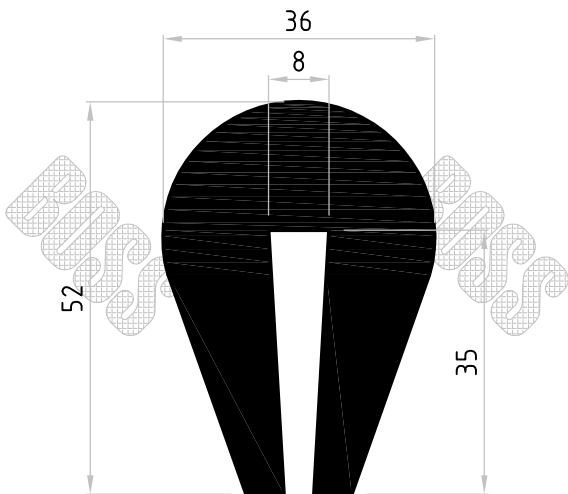
No. 3
Part No. D02429



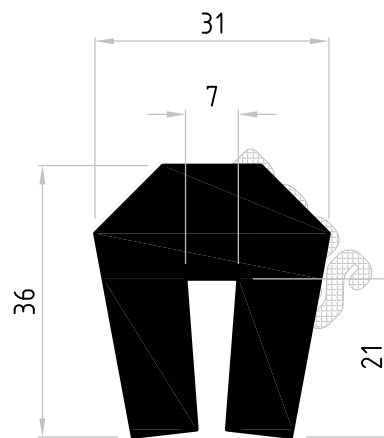
Part No. D01057



Part No. D02958



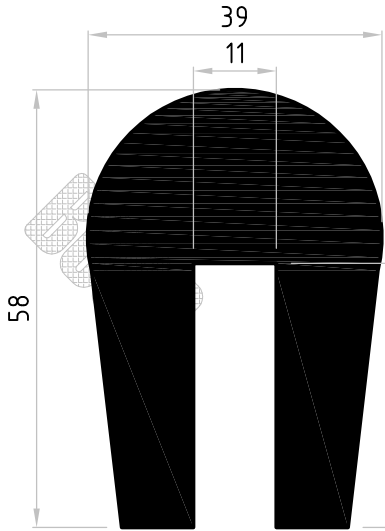
Part No. D02453



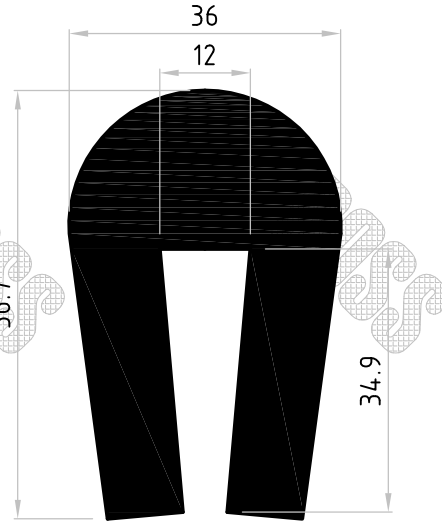
Part No. D02198

* Profile drawings appearing in this section are indicative only. some profiles may be restricted to specific customers, patents and or other limitations, The material displayed on this page may not be reprinted or otherwise reproduced without the express written permission of Boss Polymer Technologies.

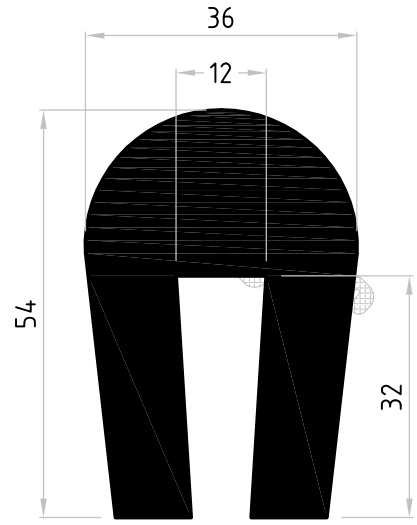
BOSS POLYMER TECHNOLOGIES PTY LTD
Melbourne Australia
PH: (613) 9561 2777
FAX: (613) 9560 8777
www.bosspolymer.com.au
E-MAIL: sales@bosspolymer.com.au



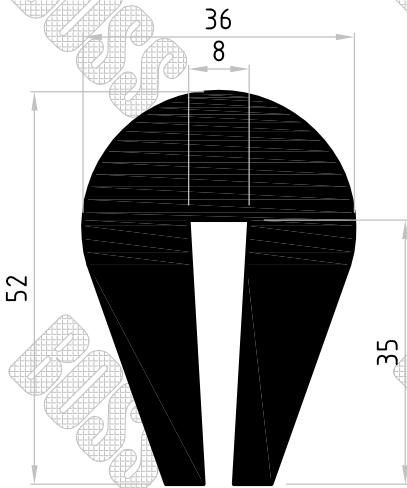
No. 1
Part No. D00685



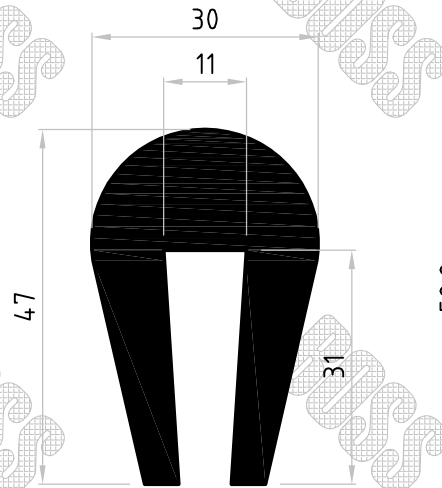
No. 1
Part No. D02043



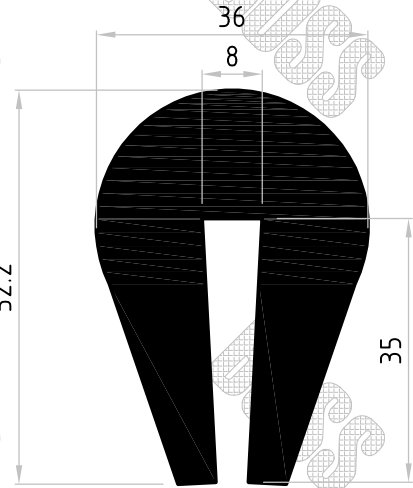
No. 2
Part No. D02428



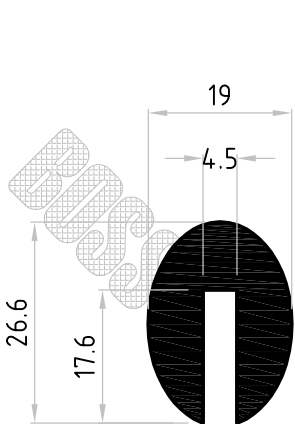
No. 3
Part No. D02518



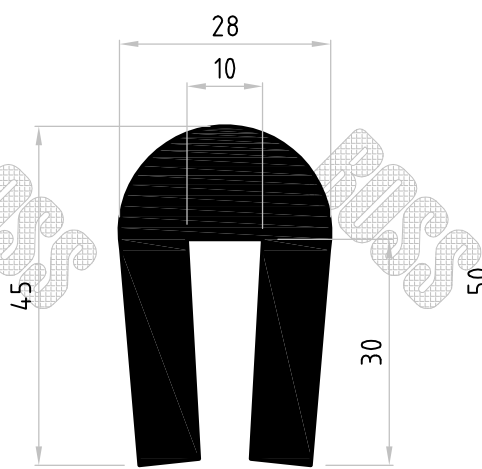
No. 3
Part No. D02614



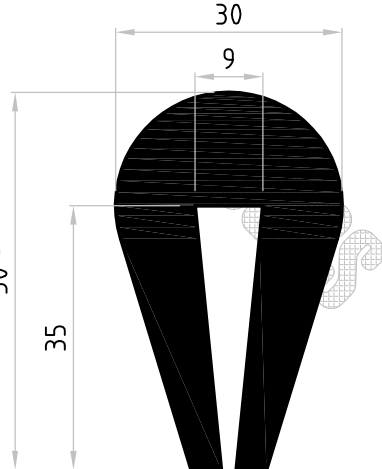
No. 3
Part No. D02343



Part No. D03124



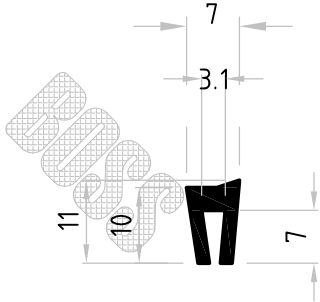
No. 45P
Part No. D02344



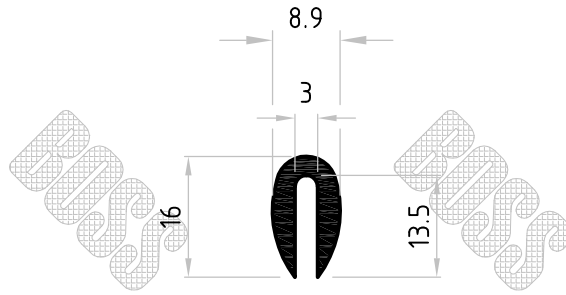
Part No. D02739

* Profile drawings appearing in this section are indicative only. some profiles may be restricted to specific customers, patents and or other limitations, The material displayed on this page may not be reprinted or otherwise reproduced without the express written permission of Boss Polymer Technologies.

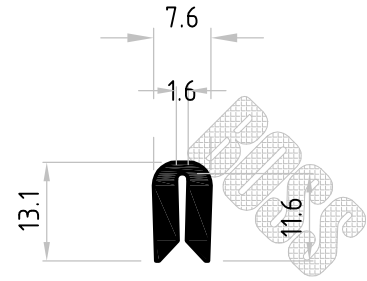
BOSS POLYMER TECHNOLOGIES PTY LTD
Melbourne Australia
PH: (613) 9561 2777
FAX: (613) 9560 8777
www.bosspolymer.com.au
E-MAIL: sales@bosspolymer.com.au



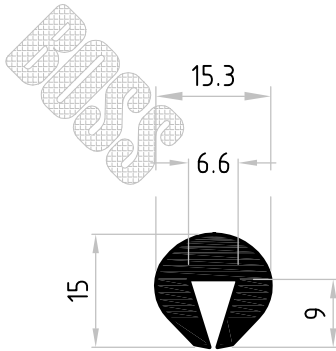
Part No. D02475



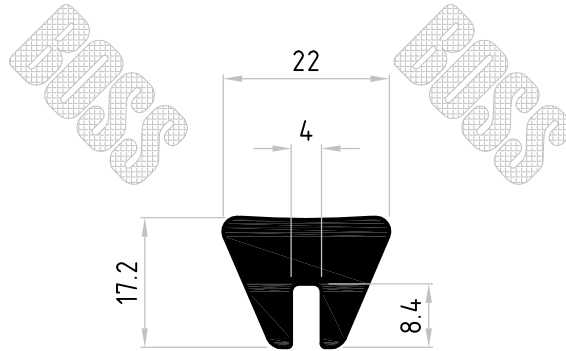
Part No. D02081



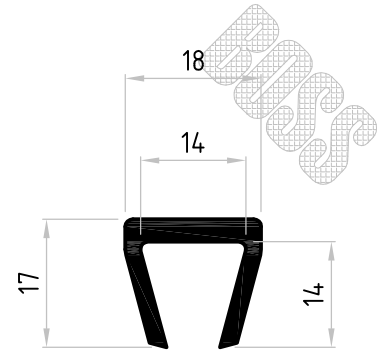
Part No. D02588



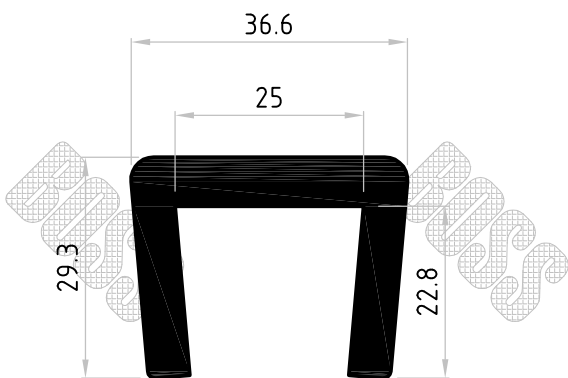
Part No. D02435



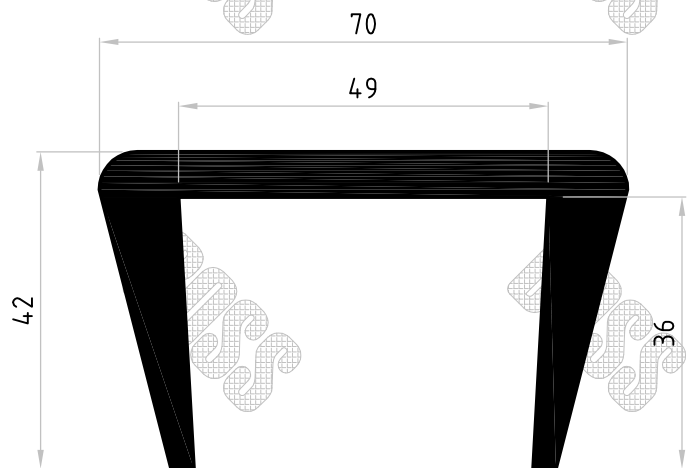
Part No. D02169



Part No. D02868

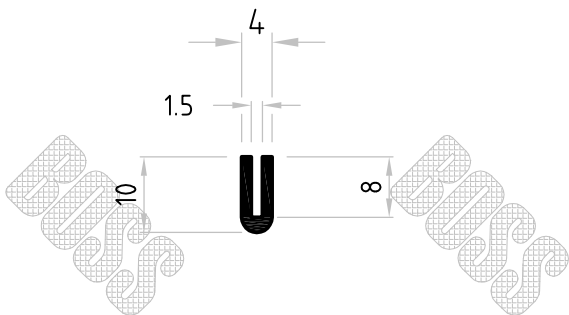


Part No. D02000

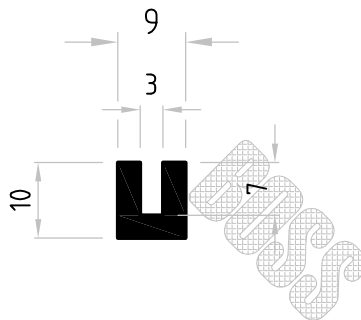


Part No. D02848

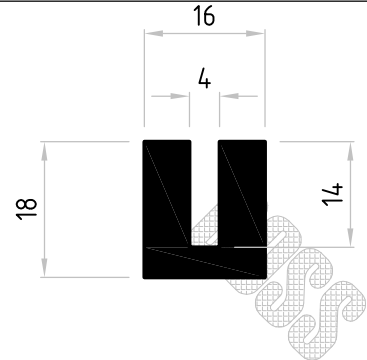
* Profile drawings appearing in this section are indicative only. some profiles may be restricted to specific customers, patents and or other limitations, The material displayed on this page may not be reprinted or otherwise reproduced without the express written permission of Boss Polymer Technologies.



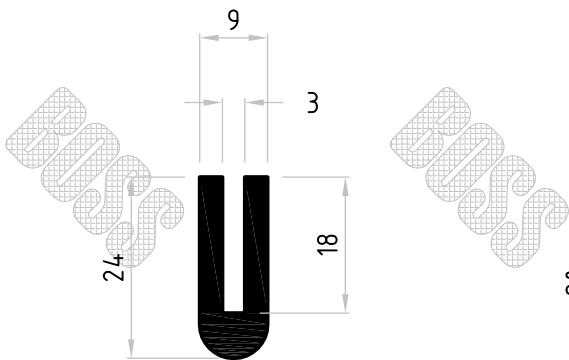
Part No. D00838



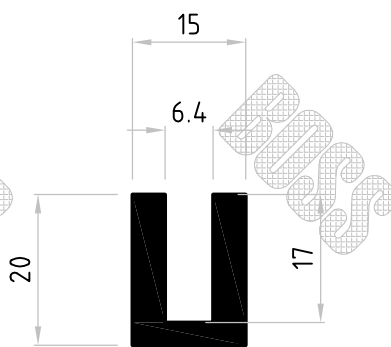
Part No. D01087



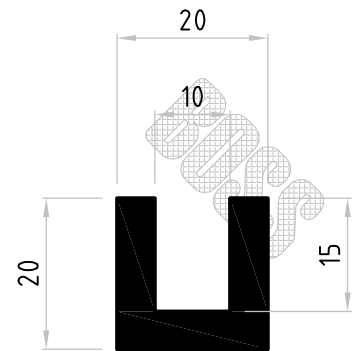
Part No. D03047



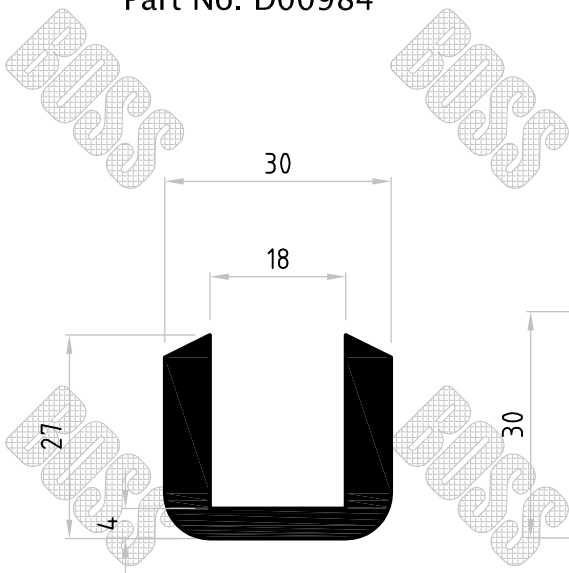
Part No. D00984



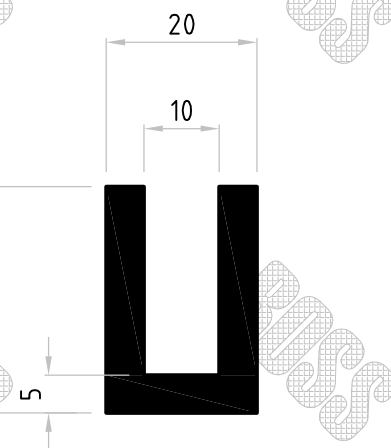
Part No. D02440



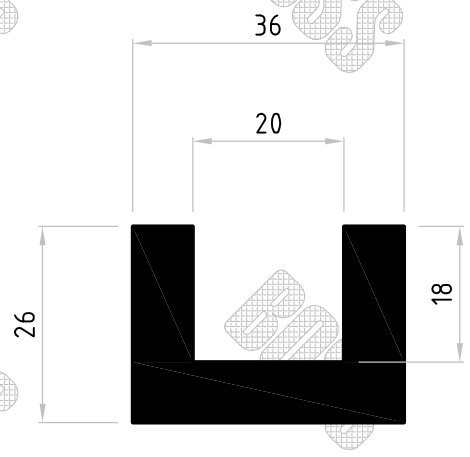
Part No. D02681



Part No. D00409

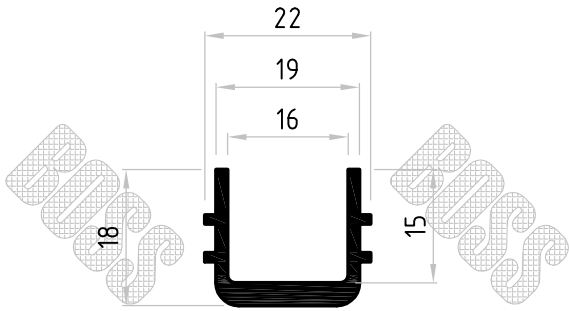


Part No. D03121

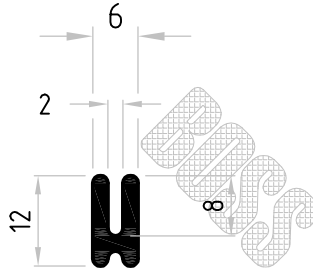


Part No. D02489

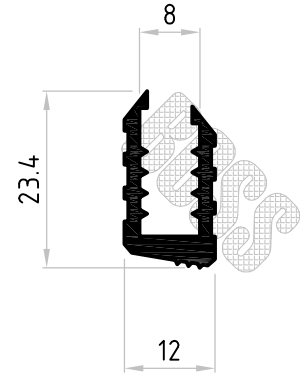
* Profile drawings appearing in this section are indicative only. some profiles may be restricted to specific customers, patents and or other limitations. The material displayed on this page may not be reprinted or otherwise reproduced without the express written permission of Boss Polymer Technologies.



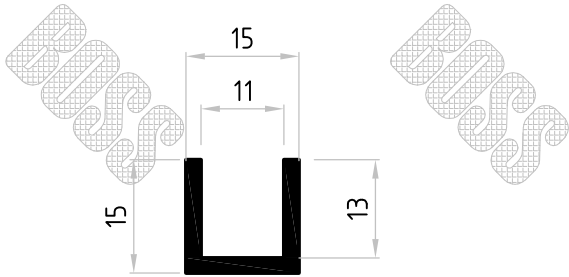
Part No. D03018



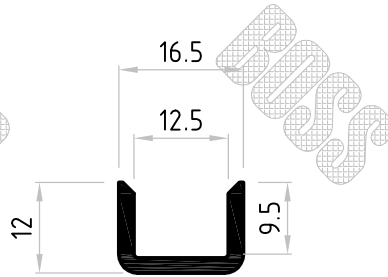
Part No. D02841



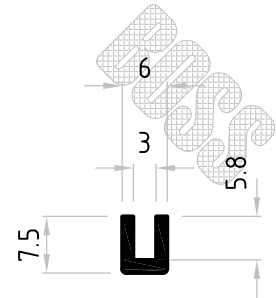
Part No. D01097



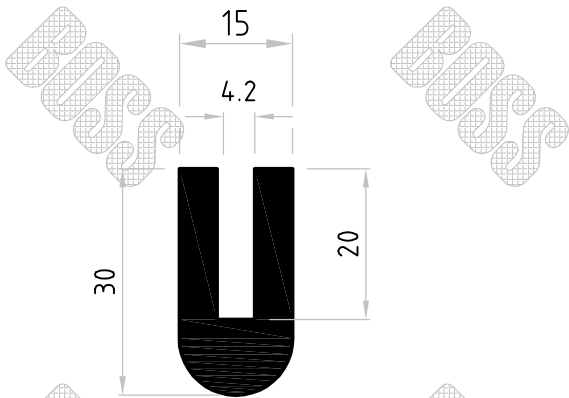
Part No. D02972



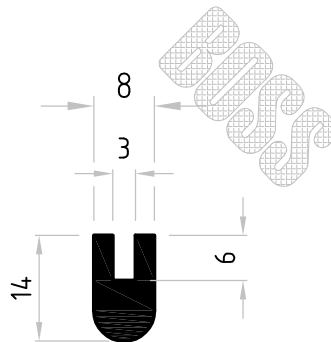
Part No. D02890



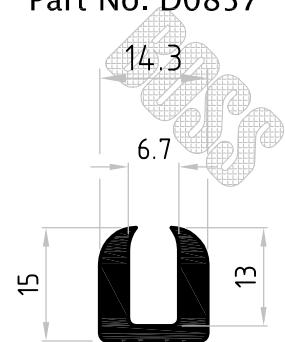
Part No. D0857



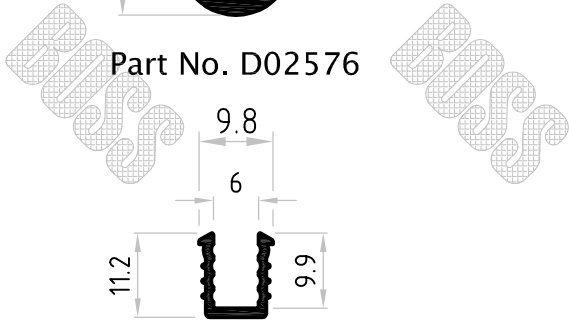
Part No. D02576



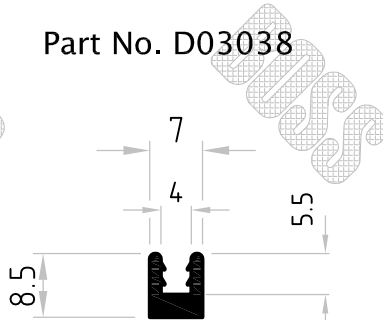
Part No. D03038



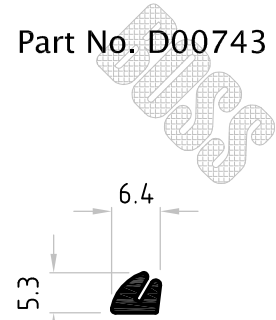
Part No. D00743



Part No. D02953



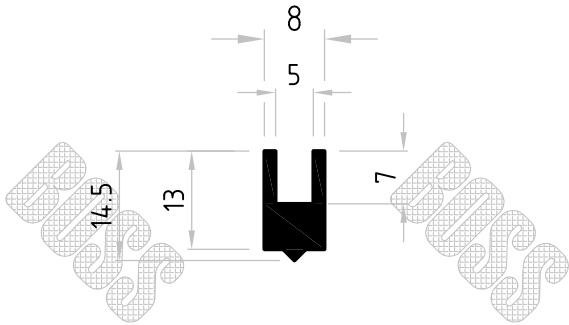
Part No. D02578



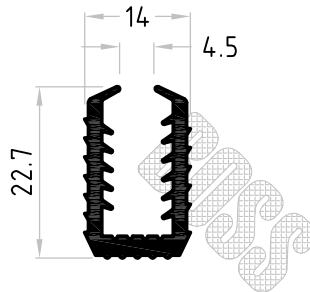
Part No. D03346

* Profile drawings appearing in this section are indicative only. some profiles may be restricted to specific customers, patents and or other limitations. The material displayed on this page may not be reprinted or otherwise reproduced without the express written permission of Boss Polymer Technologies.

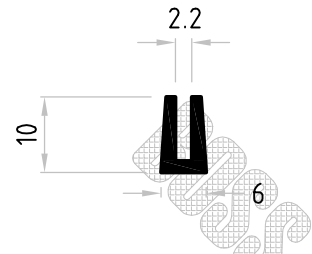
BOSS POLYMER TECHNOLOGIES PTY LTD
Melbourne Australia
PH: (613) 9561 2777
FAX: (613) 9560 8777
www.bosspolymer.com.au
E-MAIL: sales@bosspolymer.com.au



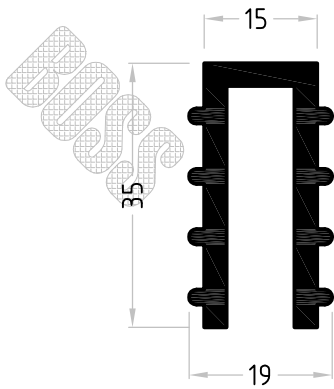
Part No. D00804



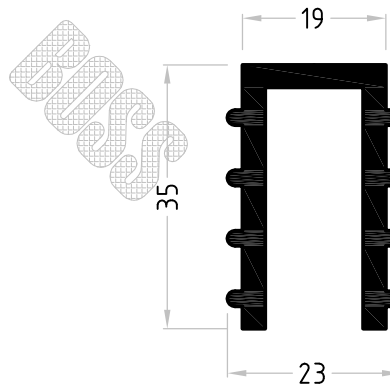
Part No. D03656



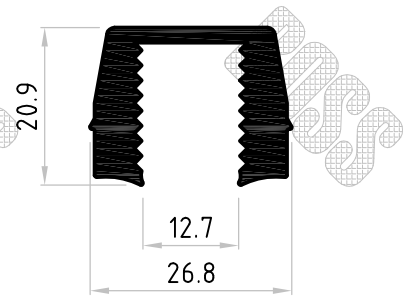
Part No. D03419



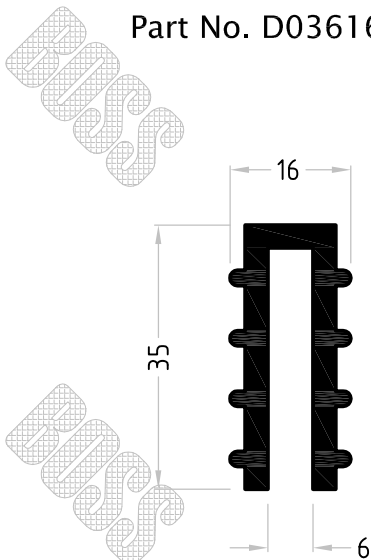
Part No. D03616



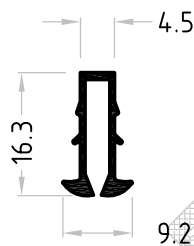
Part No. D03617



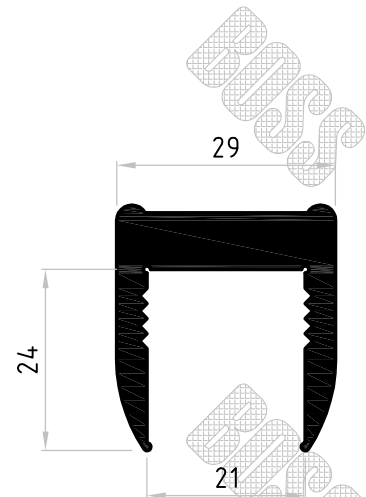
Part No. D03658



Part No. D03615



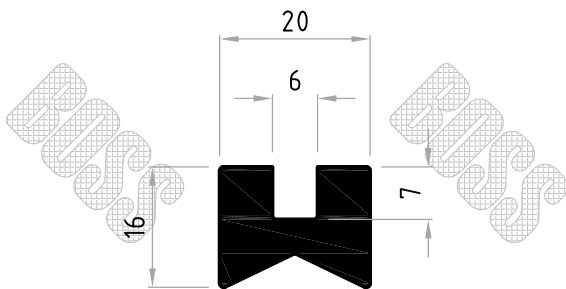
Part No. D03563



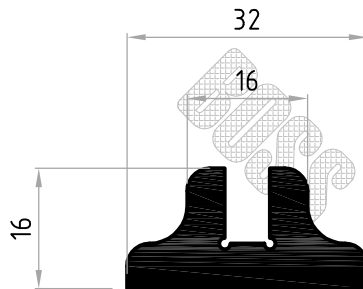
Part No. D03488

* Profile drawings appearing in this section are indicative only. some profiles may be restricted to specific customers, patents and or other limitations, The material displayed on this page may not be reprinted or otherwise reproduced without the express written permission of Boss Polymer Technologies.

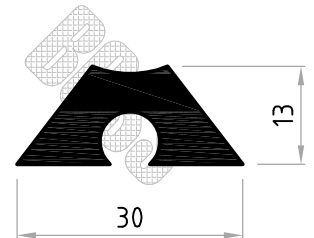
BOSS POLYMER TECHNOLOGIES PTY LTD
Melbourne Australia
PH: (613) 9561 2777
FAX: (613) 9560 8777
www.bosspolymer.com.au
E-MAIL: sales@bosspolymer.com.au



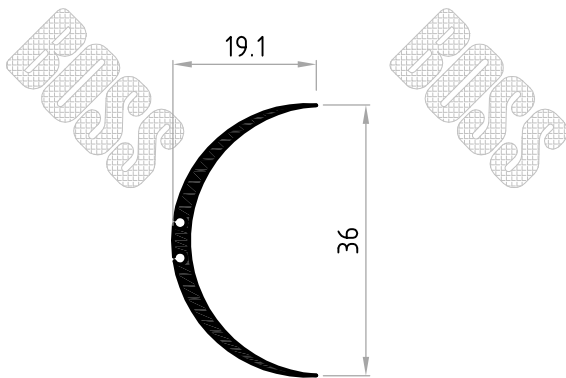
Part No. D03183



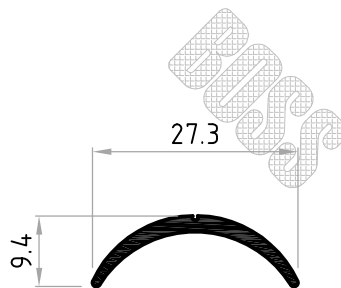
Part No. D03356



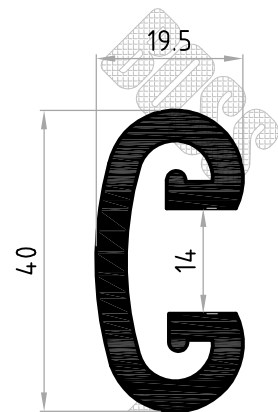
Part No. D03309



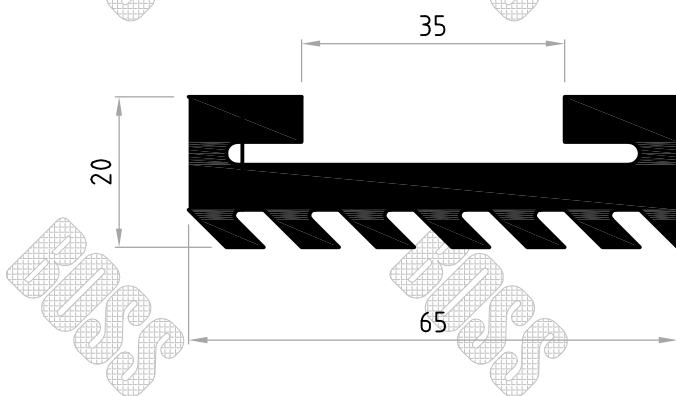
Part No. D02546



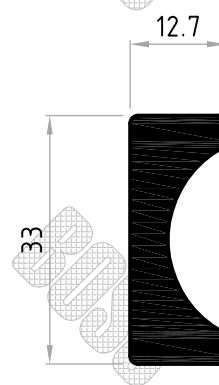
Part No. D03518



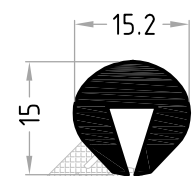
Part No. D02266



Part No. D02105



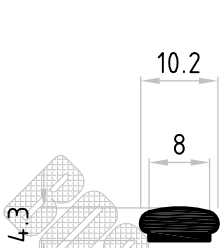
Part No. D00597



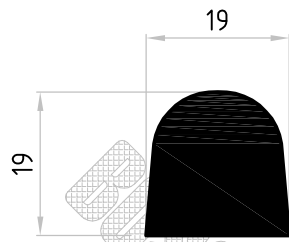
Part No. D03654

* Profile drawings appearing in this section are indicative only. some profiles may be restricted to specific customers, patents and or other limitations, The material displayed on this page may not be reprinted or otherwise reproduced without the express written permission of Boss Polymer Technologies.

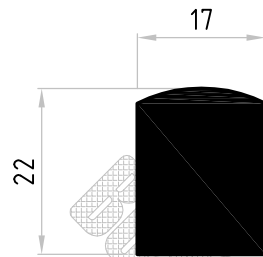
BOSS POLYMER TECHNOLOGIES PTY LTD
Melbourne Australia
PH: (613) 9561 2777
FAX: (613) 9560 8777
www.bosspolymer.com.au
E-MAIL: sales@bosspolymer.com.au



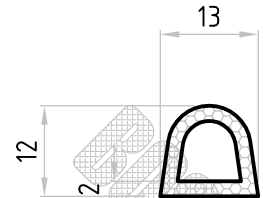
Part No. D02270



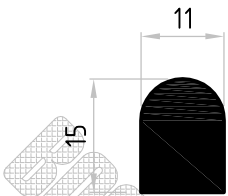
Part No. D00867



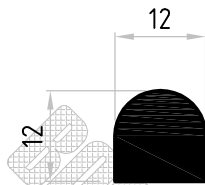
Part No. D02544



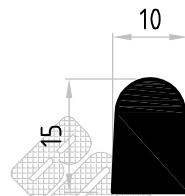
Part No. D00928



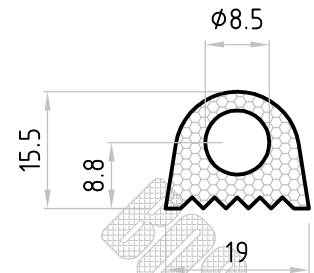
Part No. D02512



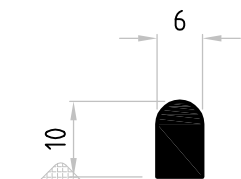
Part No. D02929



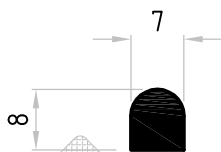
Part No. D02167



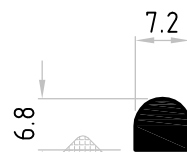
Part No. D03248



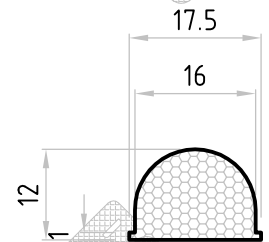
Part No. D02997



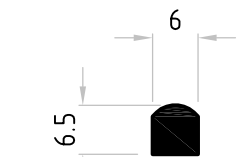
Part No. D02539



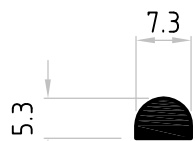
Part No. D02231



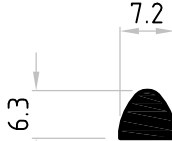
Part No. D00657



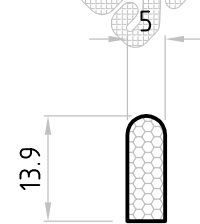
Part No. D02673



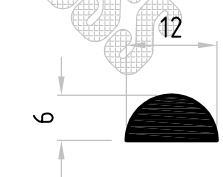
Part No. D01092



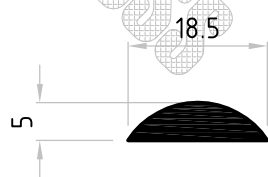
Part No. D02533



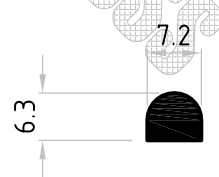
Part No. D02203



Part No. D00933



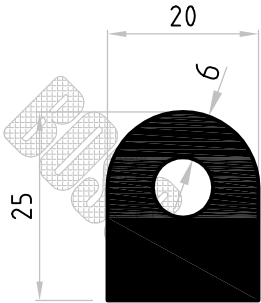
Part No. D00932



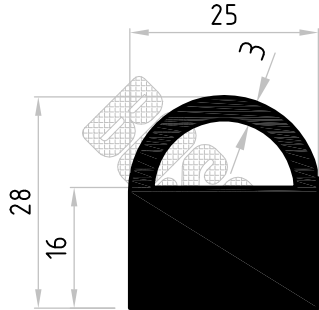
Part No. D00834

* Profile drawings appearing in this section are indicative only. some profiles may be restricted to specific customers, patents and or other limitations, The material displayed on this page may not be reprinted or otherwise reproduced without the express written permission of Boss Polymer Technologies.

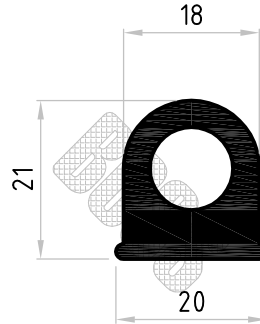
BOSS POLYMER TECHNOLOGIES PTY LTD
Melbourne Australia
PH: (613) 9561 2777
FAX: (613) 9560 8777
www.bosspolymer.com.au
E-MAIL: sales@bosspolymer.com.au



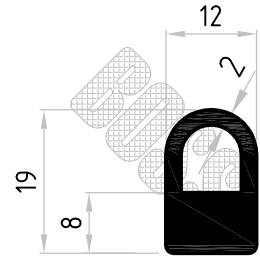
Part No. D03075



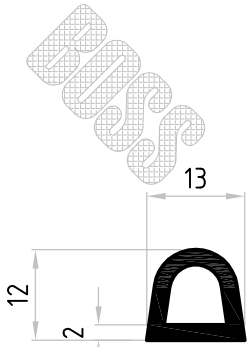
Part No. D03078



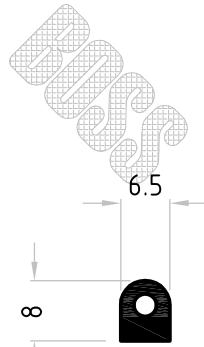
Part No. D03587



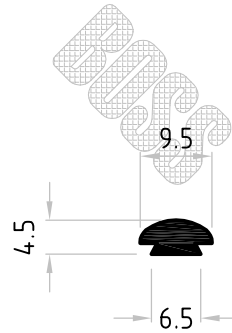
Part No. D01085
Part No. D02853



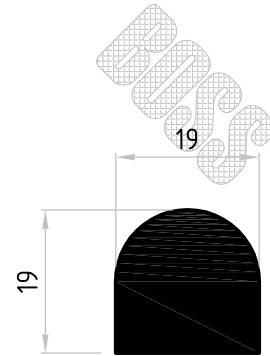
Part No. D00929



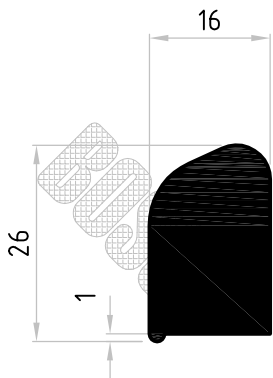
Part No. D02058



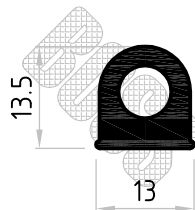
Part No. D02542



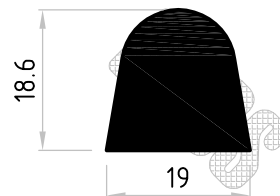
Part No. D03458



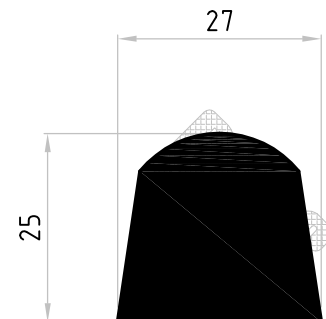
Part No. D00437



Part No. D03544



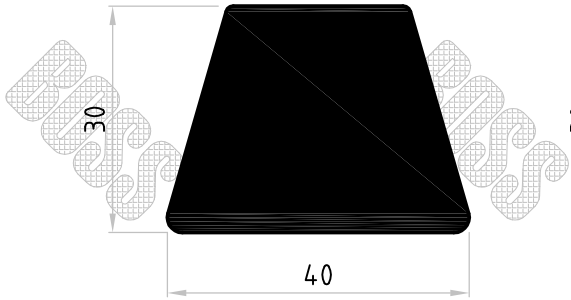
Part No. D03562



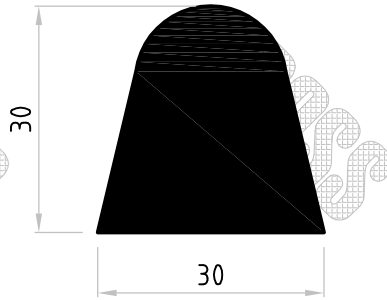
Part No. D02131

* Profile drawings appearing in this section are indicative only. some profiles may be restricted to specific customers, patents and or other limitations, The material displayed on this page may not be reprinted or otherwise reproduced without the express written permission of Boss Polymer Technologies.

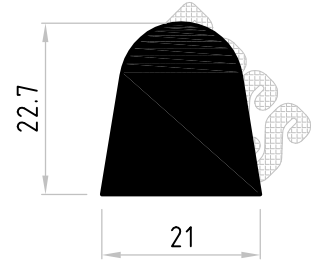
BOSS POLYMER TECHNOLOGIES PTY LTD
Melbourne Australia
PH: (613) 9561 2777
FAX: (613) 9560 8777
www.bosspolymer.com.au
E-MAIL: sales@bosspolymer.com.au



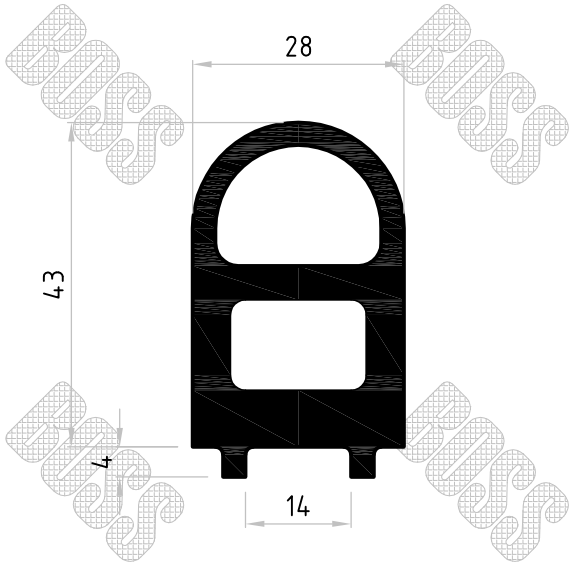
Part No. D03552



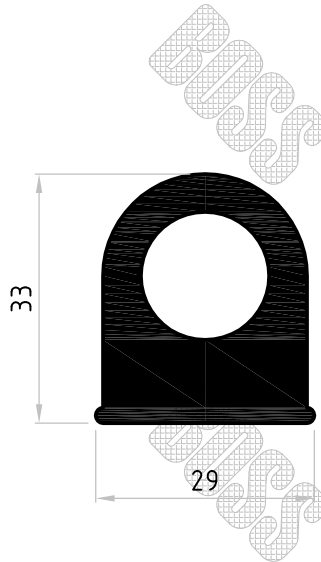
Part No. D03560



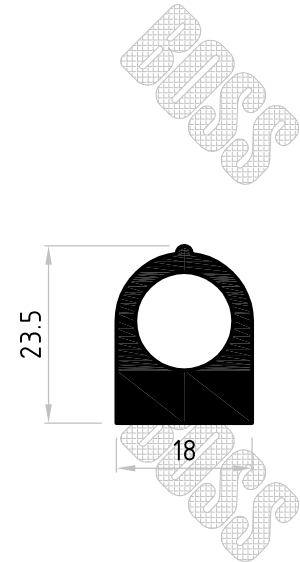
Part No. D03561



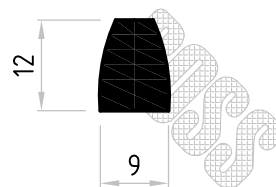
Part No. D03274



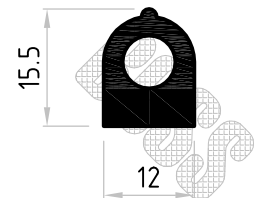
Part No. D03586



Part No. D03599



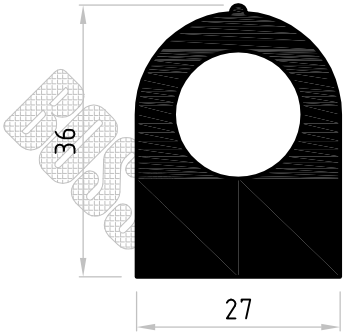
Part No. D03605



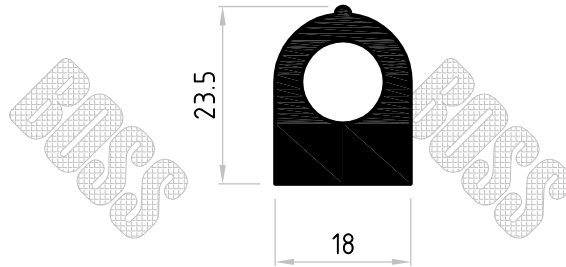
Part No. D03607

* Profile drawings appearing in this section are indicative only. some profiles may be restricted to specific customers, patents and or other limitations, The material displayed on this page may not be reprinted or otherwise reproduced without the express written permission of Boss Polymer Technologies.

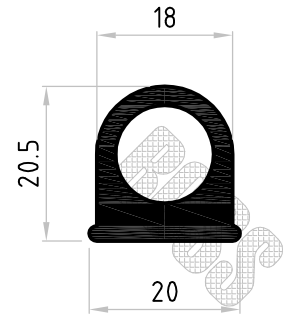
BOSS POLYMER TECHNOLOGIES PTY LTD
Melbourne Australia
PH: (613) 9561 2777
FAX: (613) 9560 8777
www.bosspolymer.com.au
E-MAIL: sales@bosspolymer.com.au



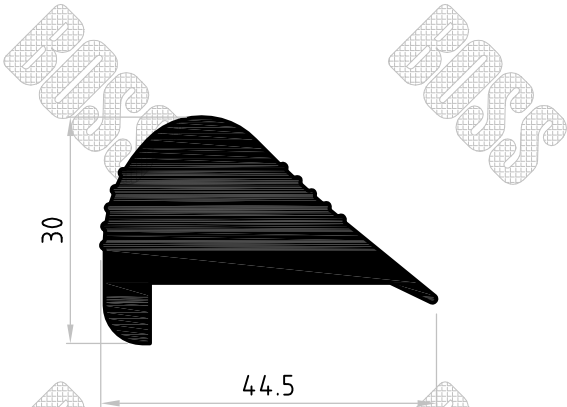
Part No. D03608



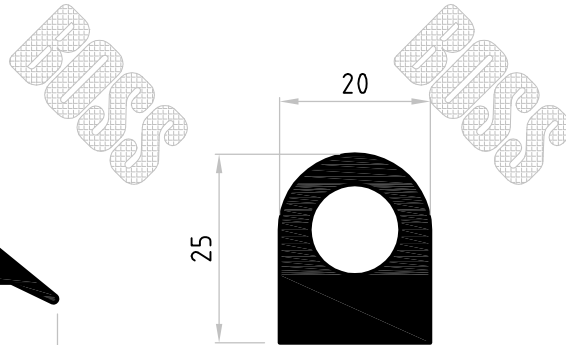
Part No. D03609



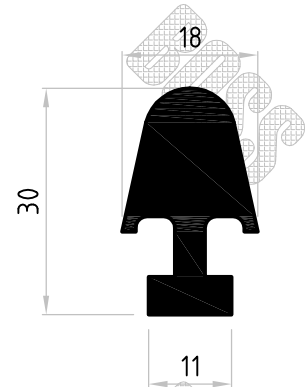
Part No. D03610



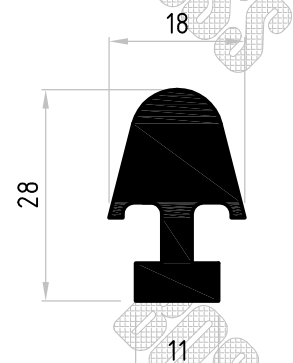
Part No. D03645



Part No. D03678

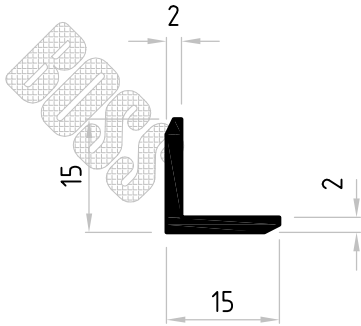


Part No. D01017

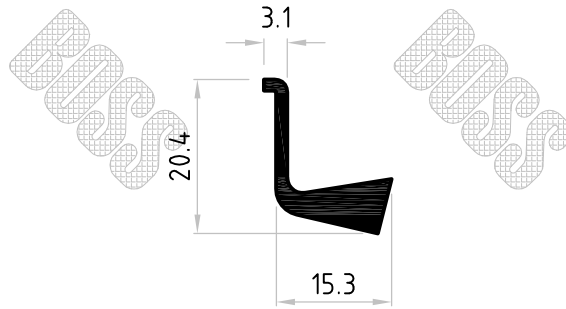


Part No. D01016

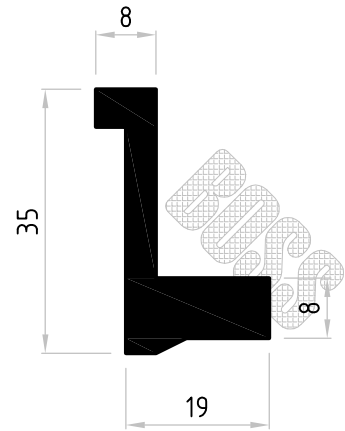
* Profile drawings appearing in this section are indicative only. some profiles may be restricted to specific customers, patents and or other limitations, The material displayed on this page may not be reprinted or otherwise reproduced without the express written permission of Boss Polymer Technologies.



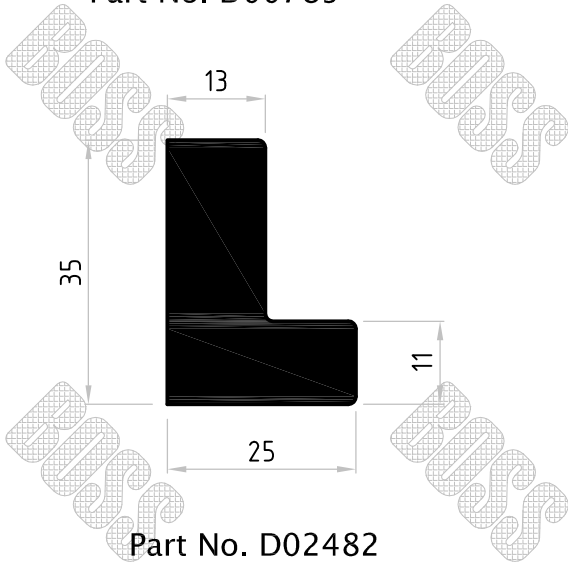
Part No. D00789



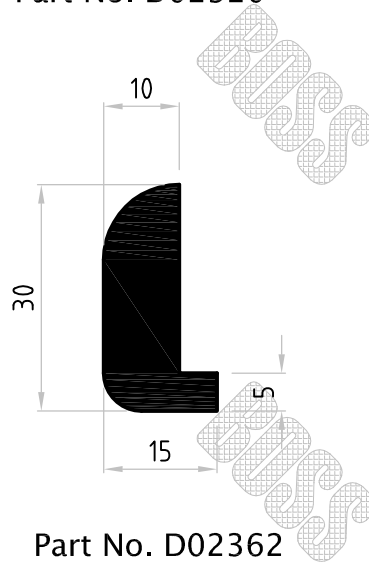
Part No. D02320



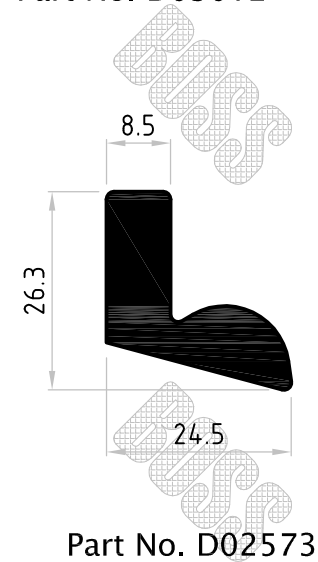
Part No. D03012



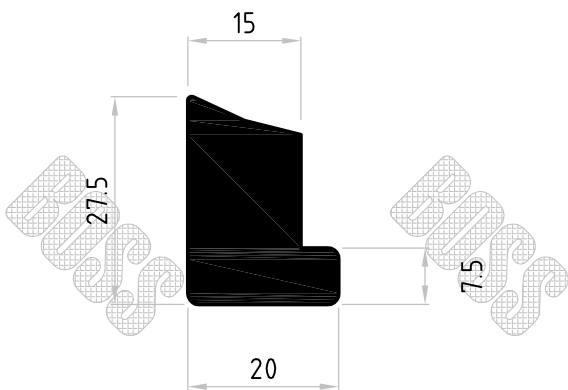
Part No. D02482



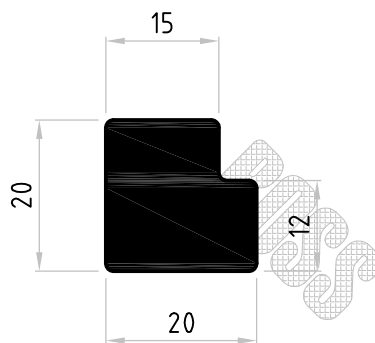
Part No. D02362



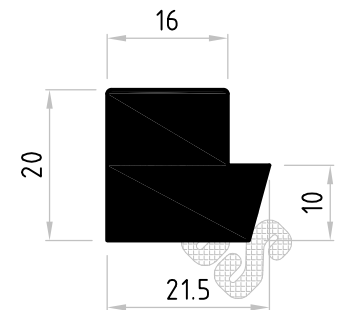
Part No. D02573



Part No. D00737



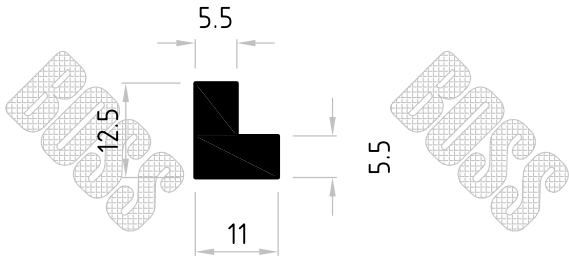
Part No. D02389



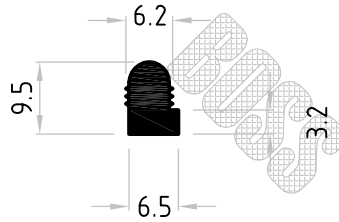
Part No. D00915
Part No. D01018

Part No. D01040

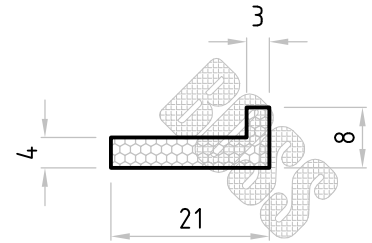
* Profile drawings appearing in this section are indicative only. some profiles may be restricted to specific customers, patents and or other limitations. The material displayed on this page may not be reprinted or otherwise reproduced without the express written permission of Boss Polymer Technologies.



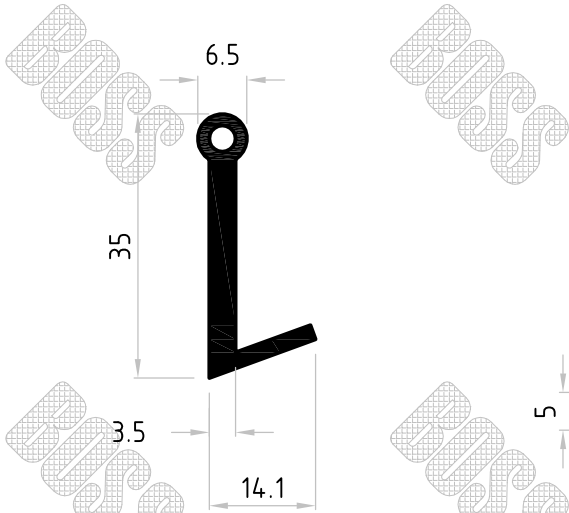
Part No. D02353



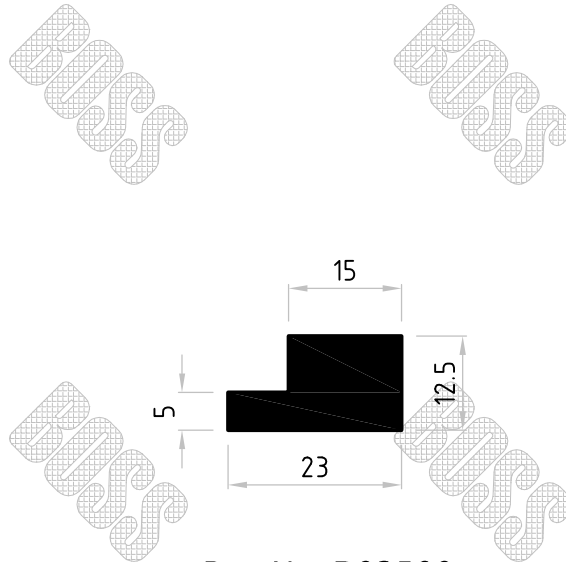
Part No. D02960



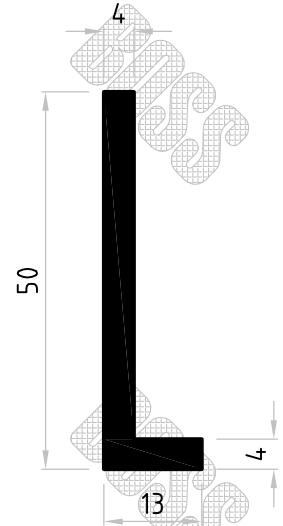
Part No. D02438



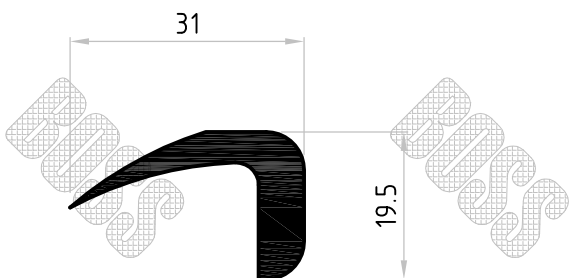
Part No. D02328



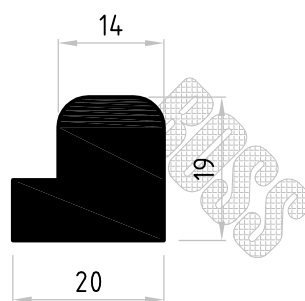
Part No. D03590



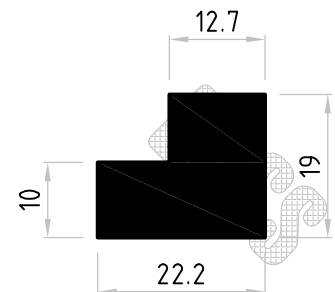
Part No. D02613



Part No. D03082



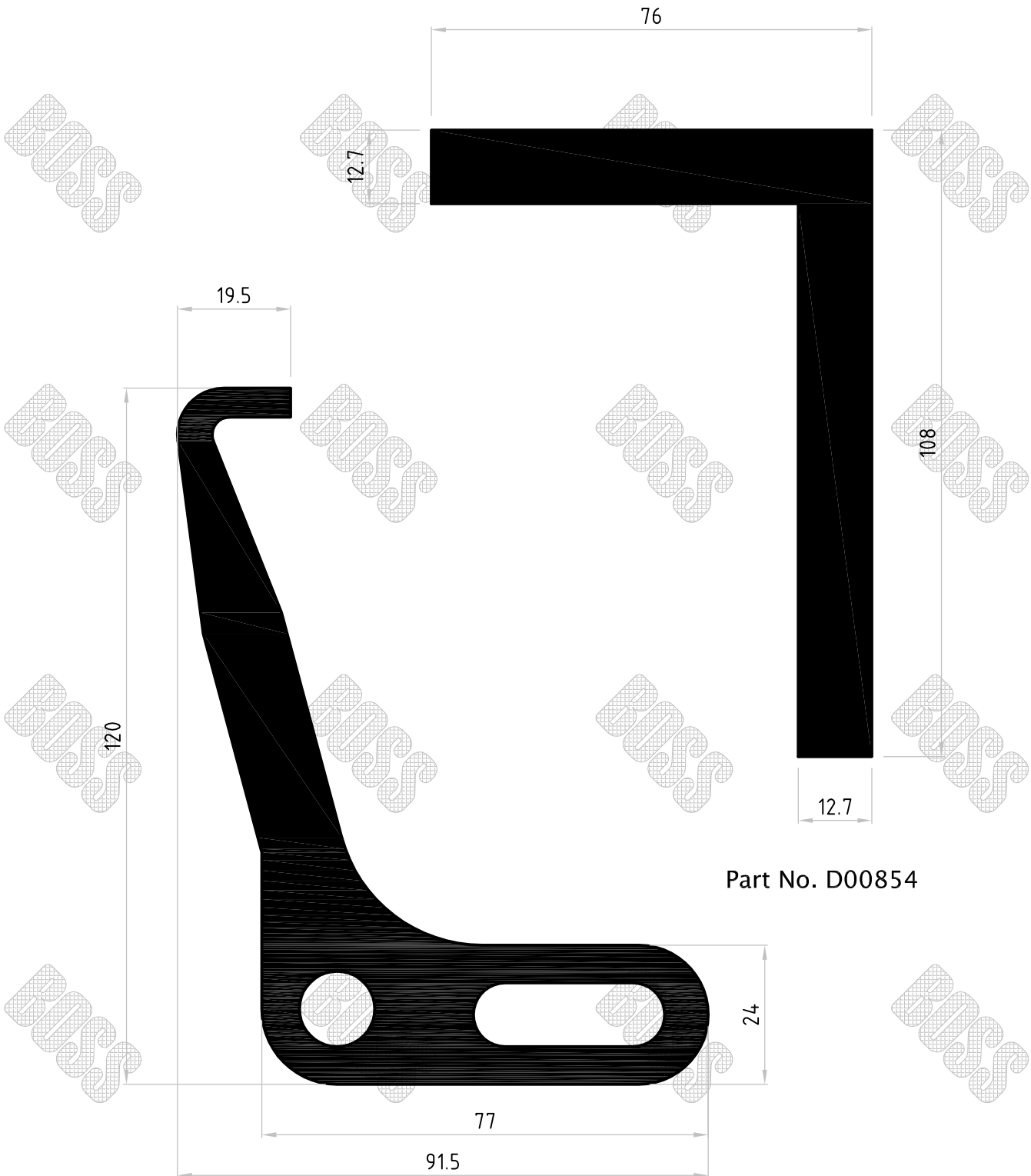
Part No. D03110



Part No. D03120

* Profile drawings appearing in this section are indicative only. some profiles may be restricted to specific customers, patents and or other limitations, The material displayed on this page may not be reprinted or otherwise reproduced without the express written permission of Boss Polymer Technologies.

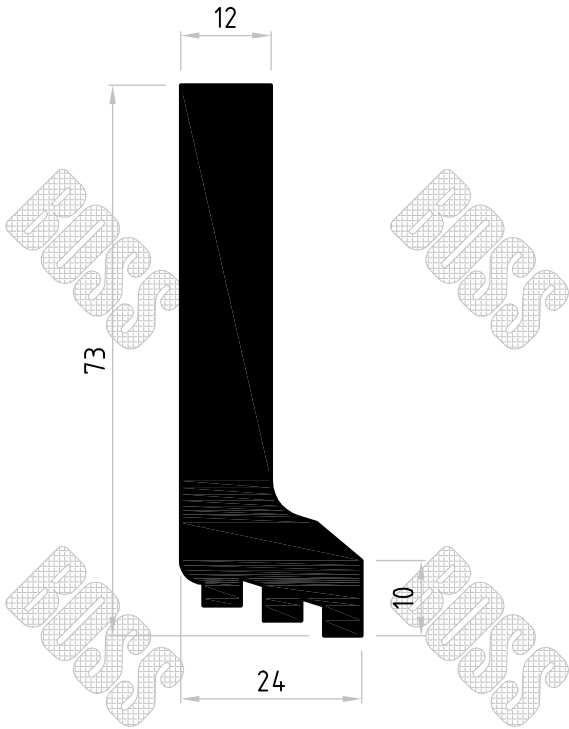
BOSS POLYMER TECHNOLOGIES PTY LTD
Melbourne Australia
PH: (613) 9561 2777
FAX: (613) 9560 8777
www.bosspolymer.com.au
E-MAIL: sales@bosspolymer.com.au



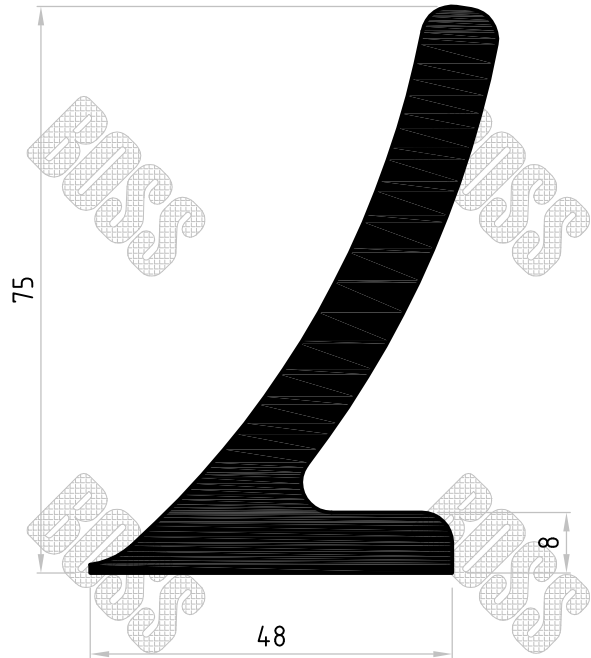
Part No. D00854

Part No. D00894

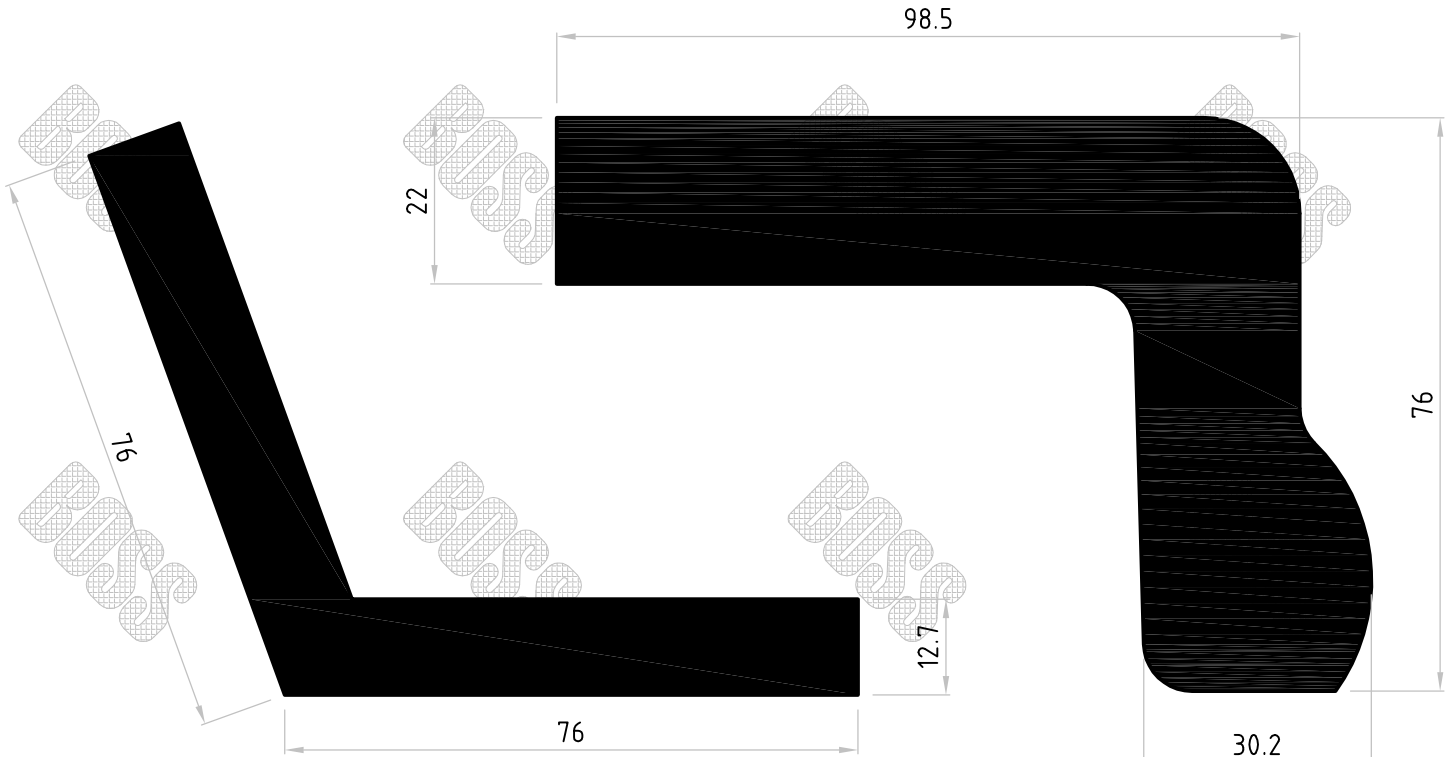
* Profile drawings appearing in this section are indicative only. some profiles may be restricted to specific customers, patents and or other limitations, The material displayed on this page may not be reprinted or otherwise reproduced without the express written permission of Boss Polymer Technologies.



Part No. D02477



Part No. D00854

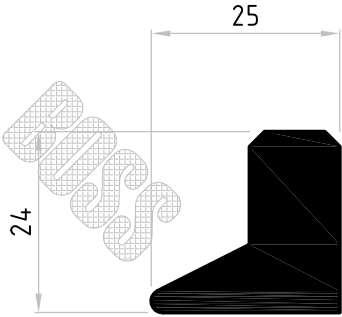


Part No. D00854
Part No. D00901

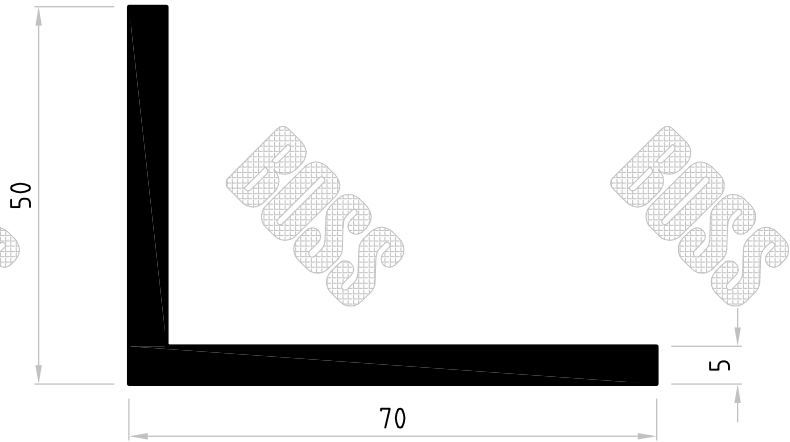
Part No. D03425

* Profile drawings appearing in this section are indicative only. some profiles may be restricted to specific customers, patents and or other limitations, The material displayed on this page may not be reprinted or otherwise reproduced without the express written permission of Boss Polymer Technologies.

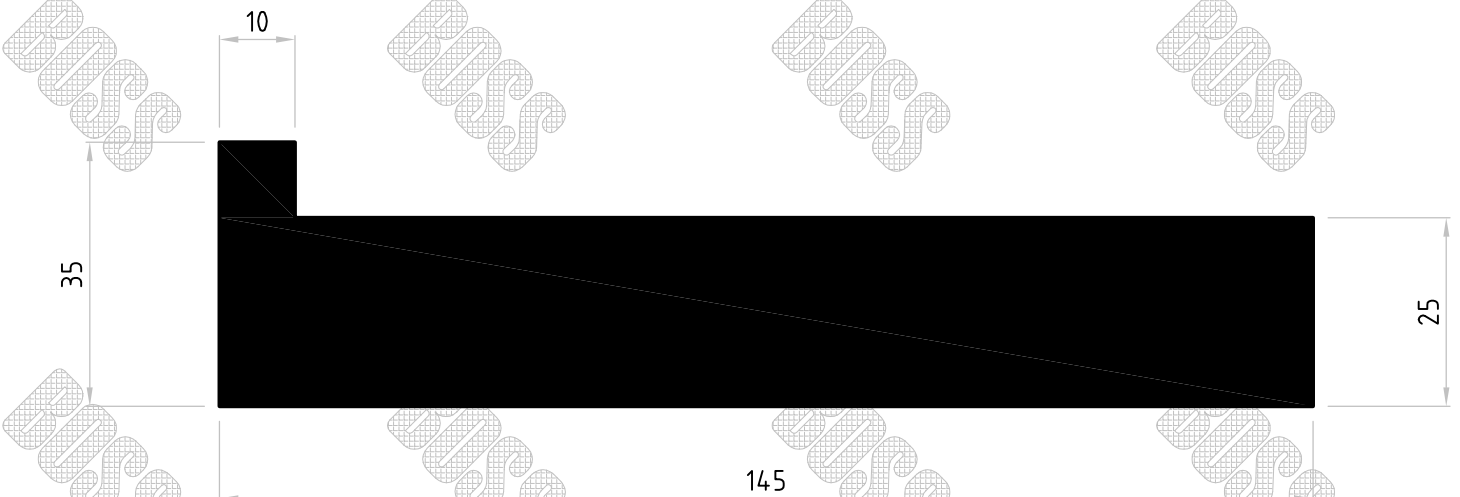
BOSS POLYMER TECHNOLOGIES PTY LTD
Melbourne Australia
PH: (613) 9561 2777
FAX: (613) 9560 8777
www.bosspolymer.com.au
E-MAIL: sales@bosspolymer.com.au



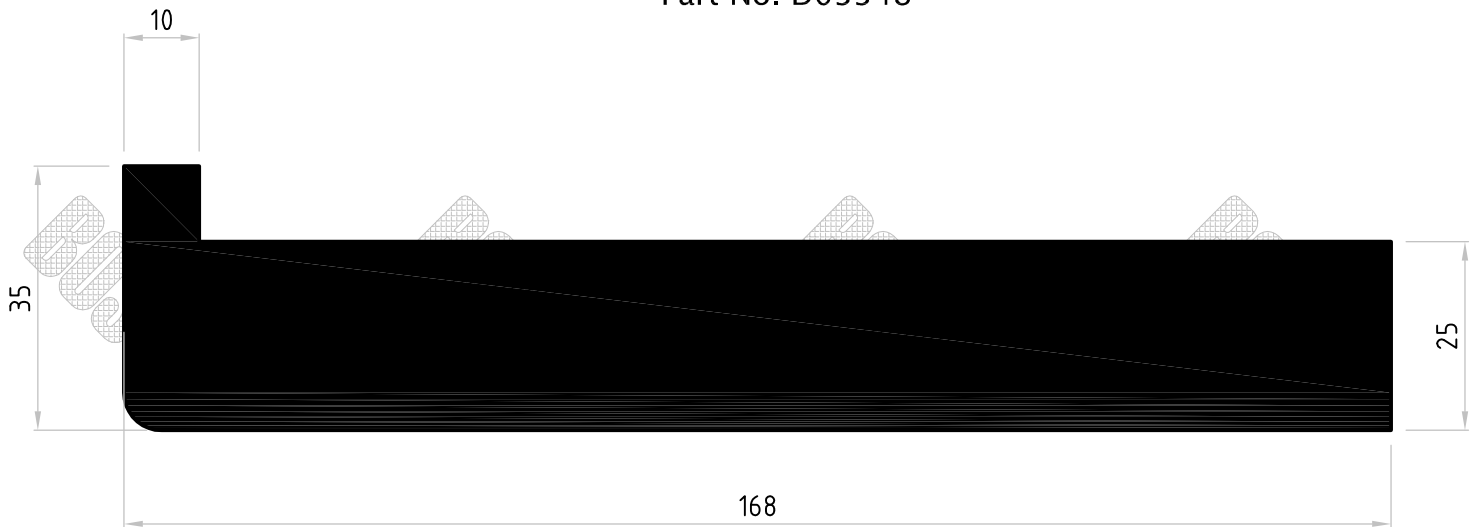
Part No. D03341
Part No. D03342



Part No. D03374



Part No. D03348



Part No. D03359

* Profile drawings appearing in this section are indicative only. some profiles may be restricted to specific customers, patents and or other limitations,
The material displayed on this page may not be reprinted or otherwise reproduced without the express written permission of Boss Polymer Technologies.

BOSS POLYMER TECHNOLOGIES PTY LTD
Melbourne Australia
PH: (613) 9561 2777
FAX: (613) 9560 8777
www.bosspolymer.com.au
E-MAIL: sales@bosspolymer.com.au

BOSS

BOSS

BOSS

BOSS

BOSS

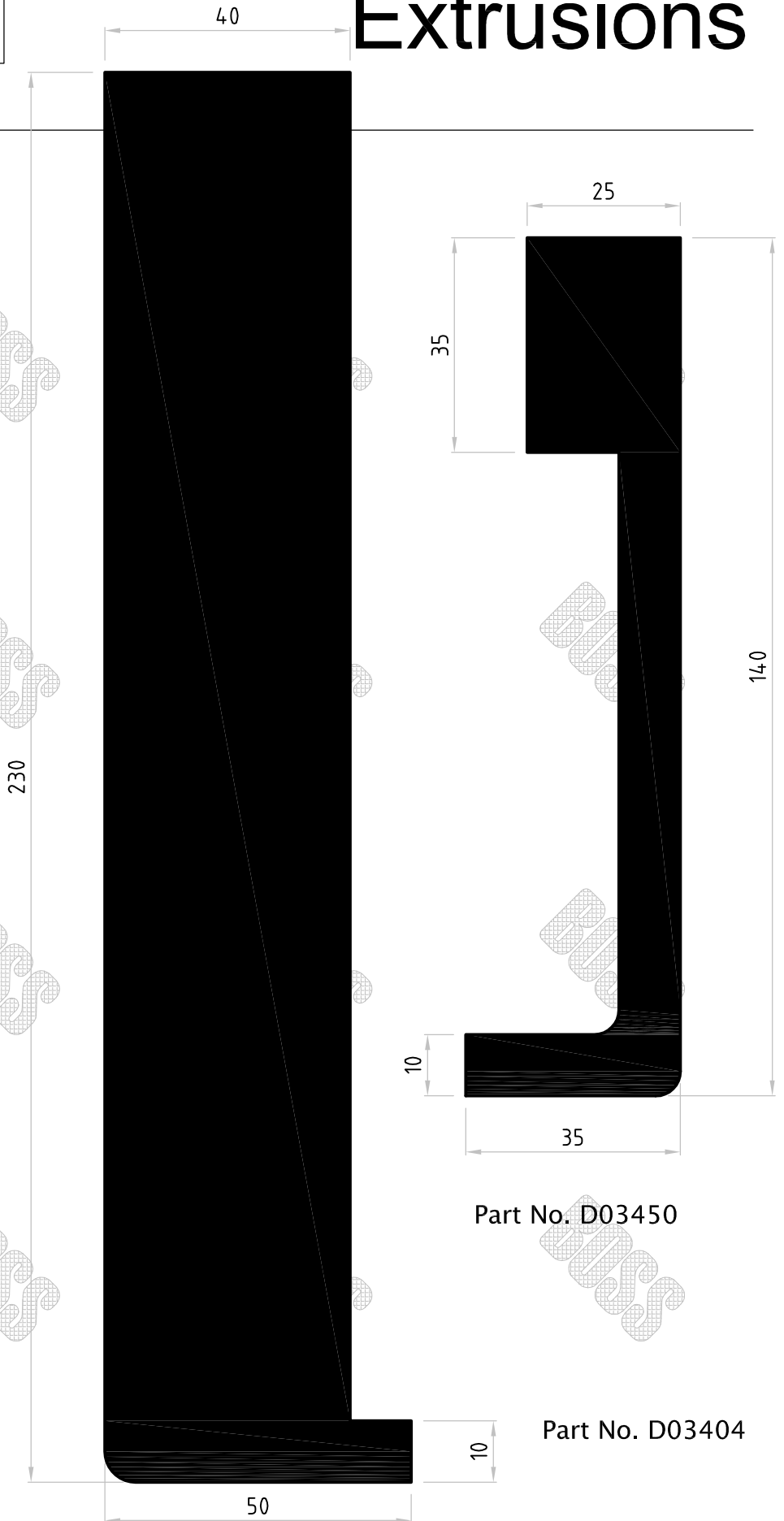
BOSS

BOSS

BOSS

BOSS

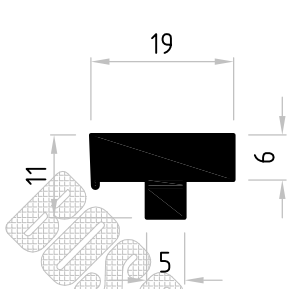
BOSS



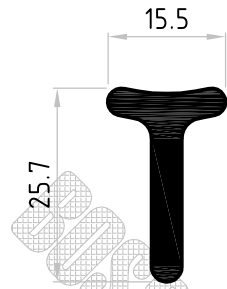
Part No. D03450

Part No. D03404

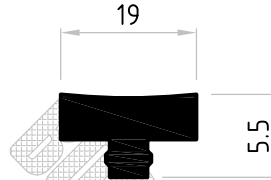
* Profile drawings appearing in this section are indicative only. some profiles may be restricted to specific customers, patents and or other limitations, The material displayed on this page may not be reprinted or otherwise reproduced without the express written permission of Boss Polymer Technologies.



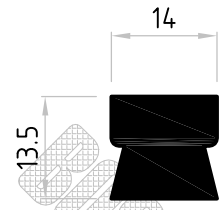
Part No. D03060



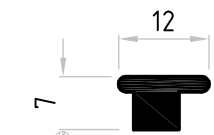
Part No. D00741



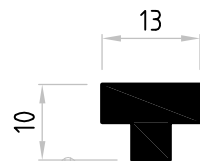
Part No. D03067



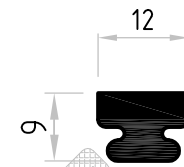
Part No. D02983



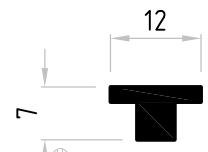
Part No. D01008



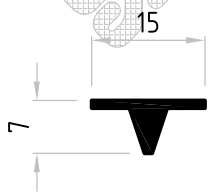
Part No. D01058



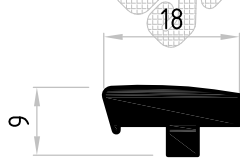
Part No. D00563



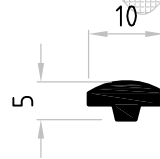
Part No. D02157



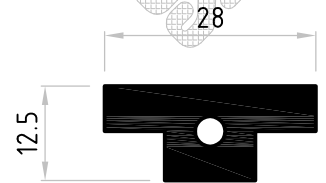
Part No. D02212



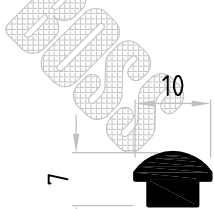
Part No. D03048



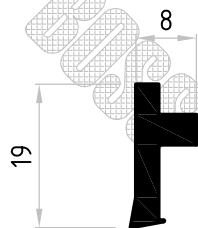
Part No. D03030



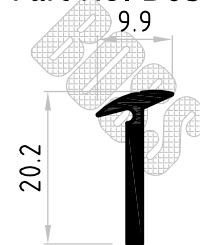
Part No. D02666



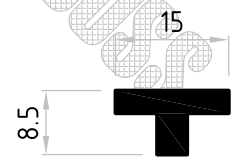
Part No. D02860



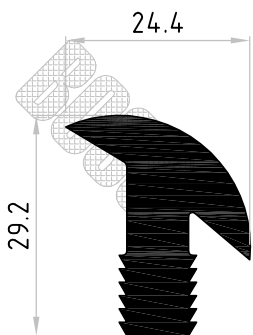
Part No. D02920



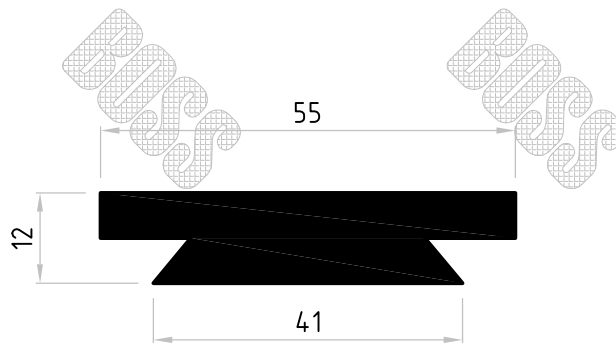
Part No. D02446



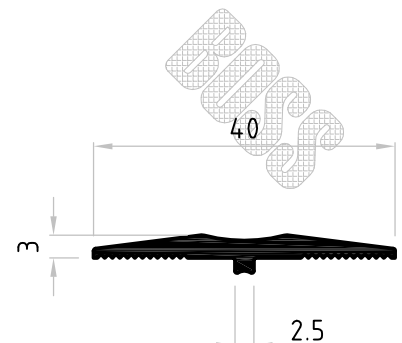
Part No. D02975



Part No. D00762
Part No. D00763



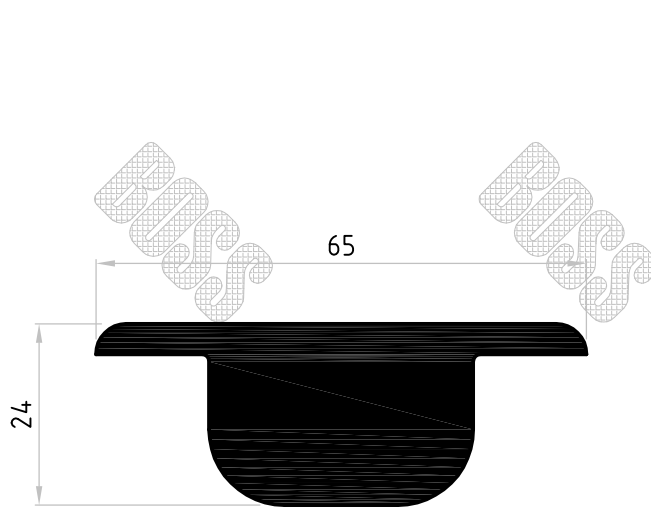
Part No. D02437



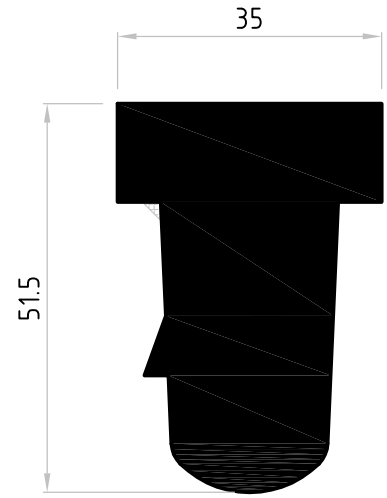
Part No. D03490

* Profile drawings appearing in this section are indicative only. some profiles may be restricted to specific customers, patents and or other limitations. The material displayed on this page may not be reprinted or otherwise reproduced without the express written permission of Boss Polymer Technologies.

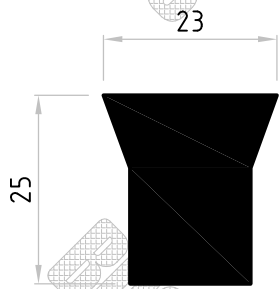
BOSS POLYMER TECHNOLOGIES PTY LTD
Melbourne Australia
PH: (613) 9561 2777
FAX: (613) 9560 8777
www.bosspolymer.com.au
E-MAIL: sales@bosspolymer.com.au



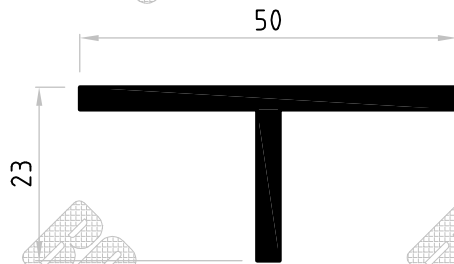
Part No. D00815



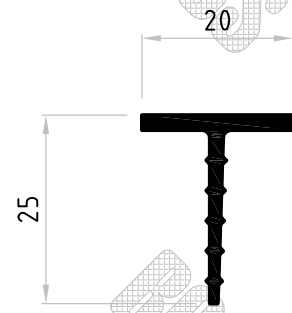
Part No. D02888



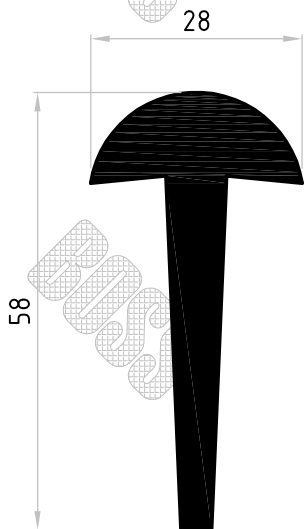
Part No. D00903



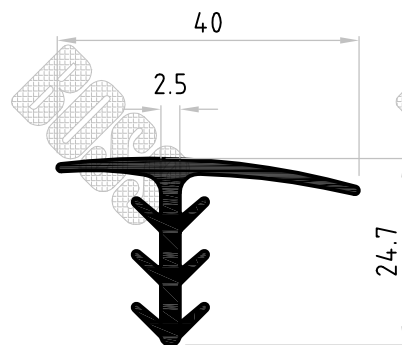
Part No. D02658



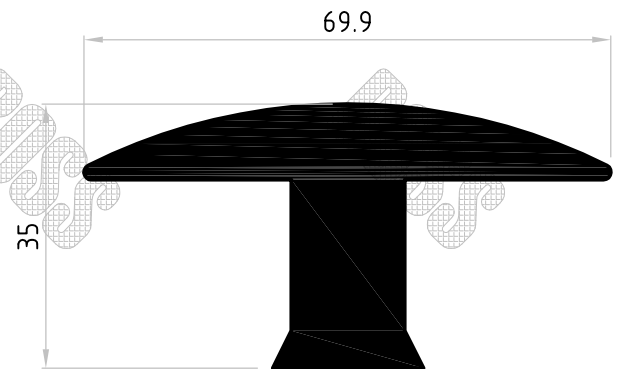
Part No. D03080



Part No. D02661



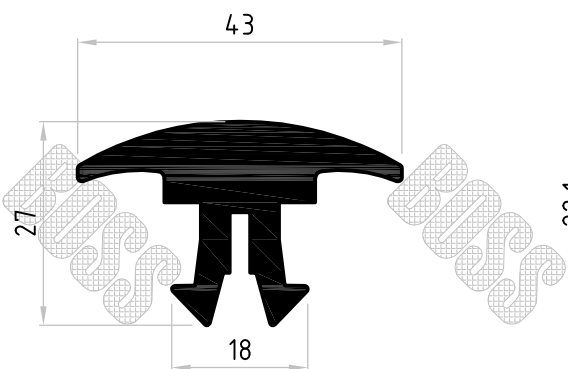
Part No. D03101



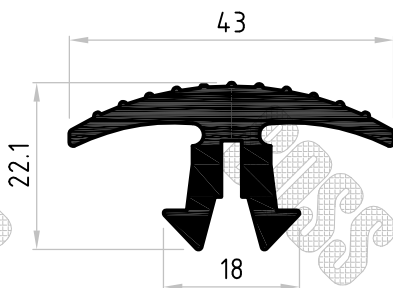
Part No. D02400

* Profile drawings appearing in this section are indicative only. some profiles may be restricted to specific customers, patents and or other limitations, The material displayed on this page may not be reprinted or otherwise reproduced without the express written permission of Boss Polymer Technologies.

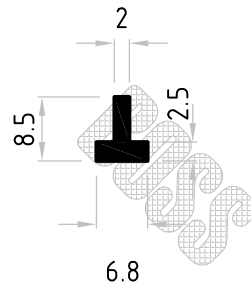
BOSS POLYMER TECHNOLOGIES PTY LTD
Melbourne Australia
PH: (613) 9561 2777
FAX: (613) 9560 8777
www.bosspolymer.com.au
E-MAIL: sales@bosspolymer.com.au



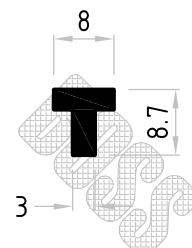
Part No. D03548



Part No. D03556



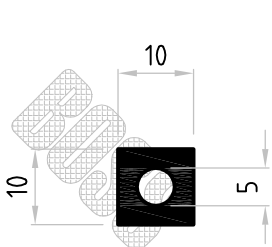
Part No. D03643



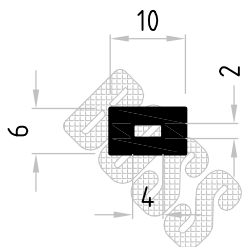
Part No. D03177

* Profile drawings appearing in this section are indicative only. some profiles may be restricted to specific customers, patents and or other limitations, The material displayed on this page may not be reprinted or otherwise reproduced without the express written permission of Boss Polymer Technologies.

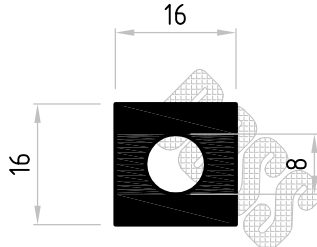
Square / Rectangle Sections with Cavities Extrusions



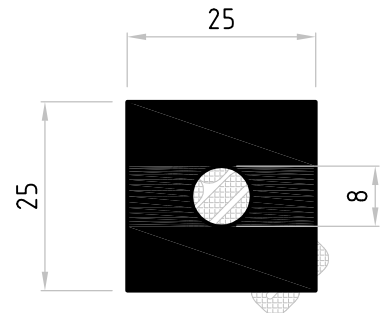
Part No. D03074



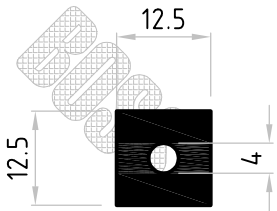
Part No. D03308



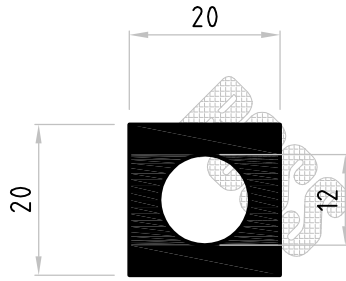
Part No. D03077



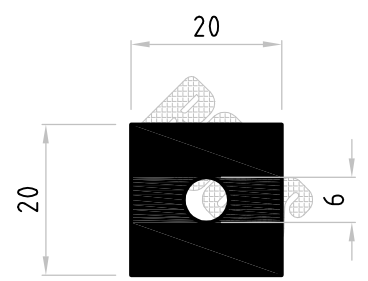
Part No. D03076
Part No. D00917



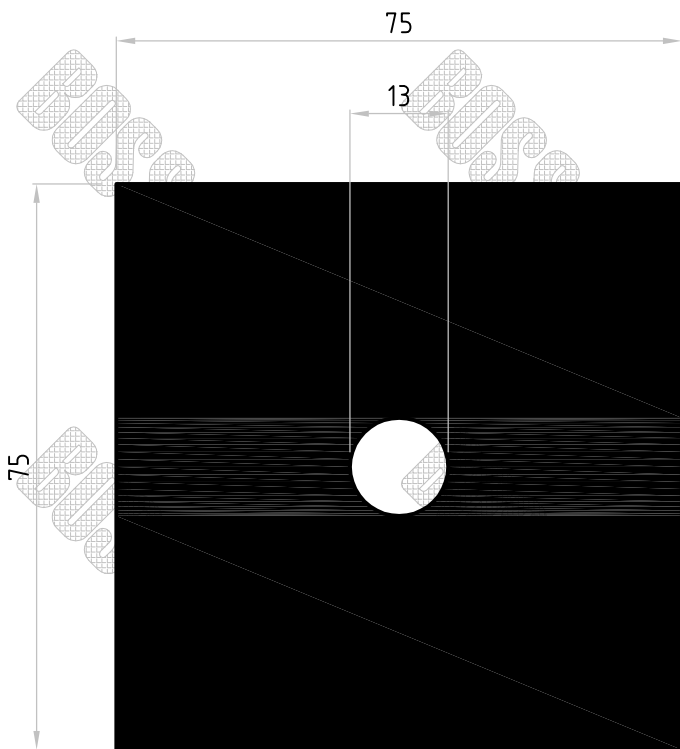
Part No. D00836



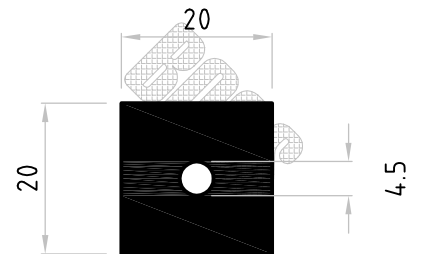
Part No. D02450



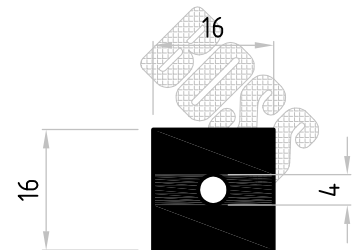
Part No. D02422
Part No. D00830



Part No. D02485

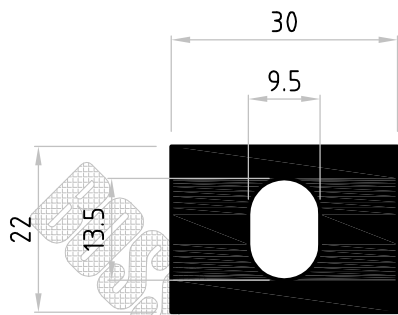


Part No. D00918

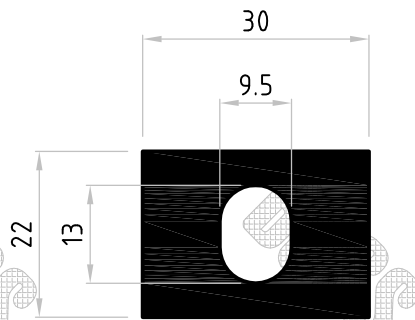


Part No. D02395

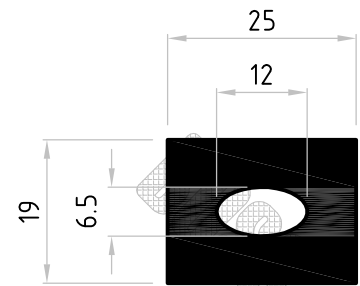
* Profile drawings appearing in this section are indicative only. some profiles may be restricted to specific customers, patents and or other limitations. The material displayed on this page may not be reprinted or otherwise reproduced without the express written permission of Boss Polymer Technologies.



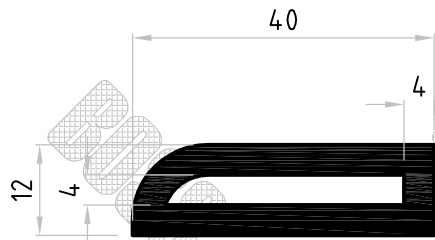
Part No. D03000



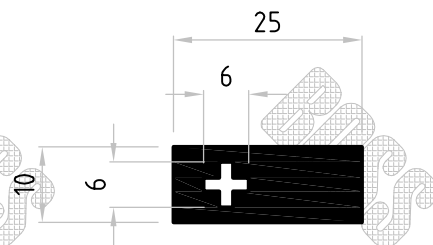
Part No. D02300



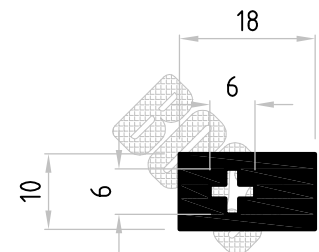
Part No. D02478



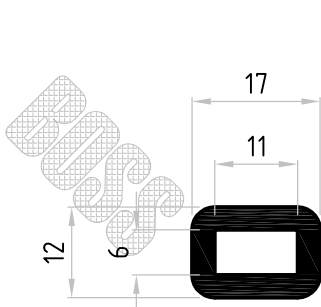
Part No. D02221



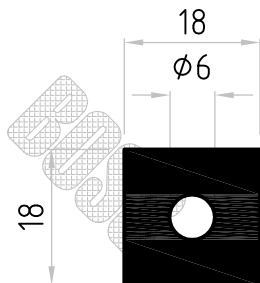
Part No. D02218



Part No. D02204

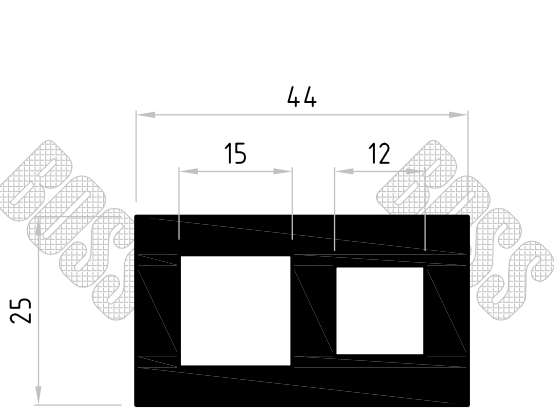


Part No. D00772

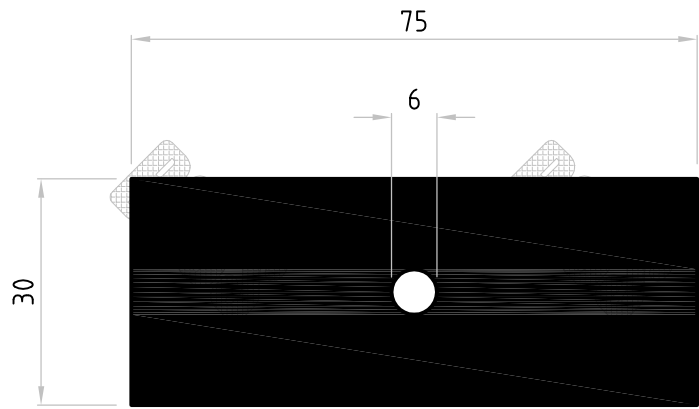


Part No. D03244

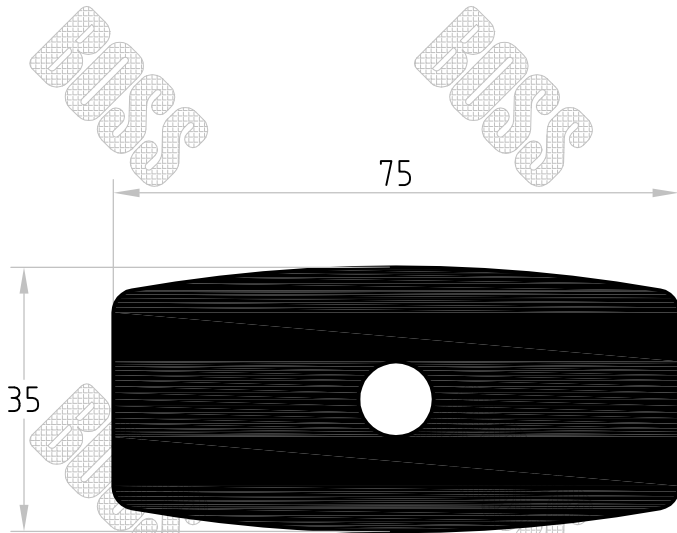
Square / Rectangle Sections with Cavities Extrusions



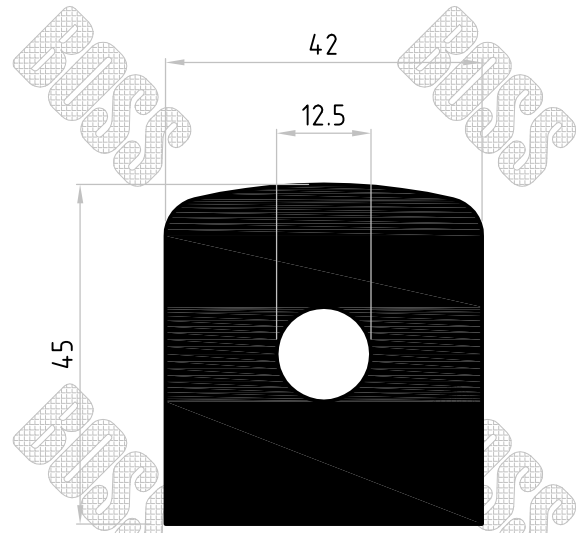
Part No. D02857



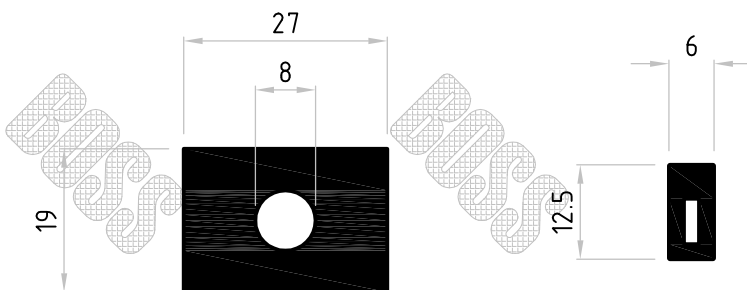
Part No. D02986



Part No. D02484

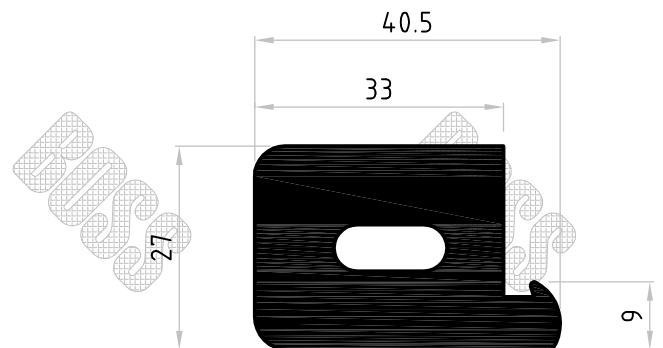


Part No. D02667



Part No. D03365

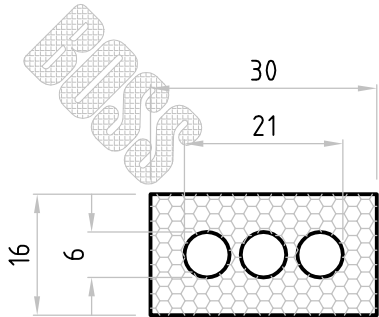
Part No. D03390



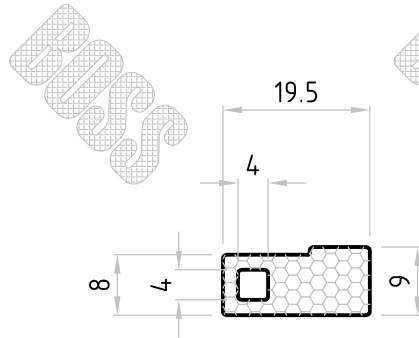
Part No. D03202

* Profile drawings appearing in this section are indicative only. some profiles may be restricted to specific customers, patents and or other limitations, The material displayed on this page may not be reprinted or otherwise reproduced without the express written permission of Boss Polymer Technologies.

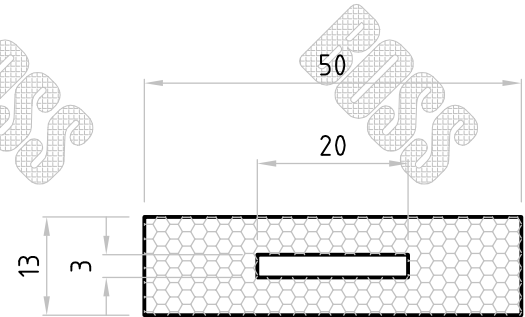
BOSS POLYMER TECHNOLOGIES PTY LTD
Melbourne Australia
PH: (613) 9561 2777
FAX: (613) 9560 8777
www.bosspolymer.com.au
E-MAIL: sales@bosspolymer.com.au



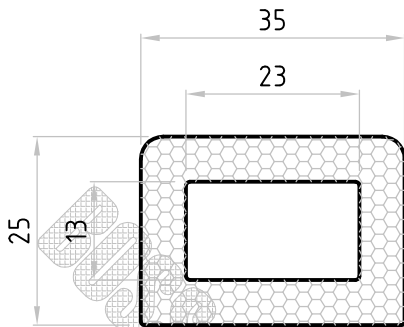
Part No. D03106



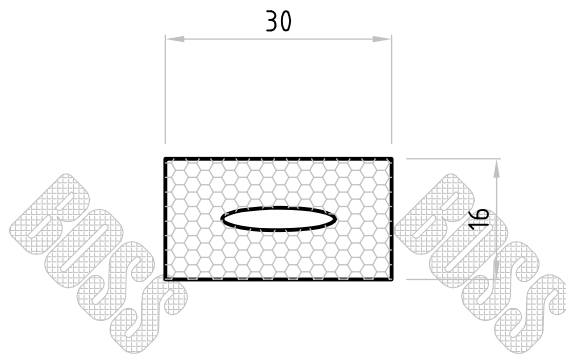
Part No. D02951



Part No. D02390

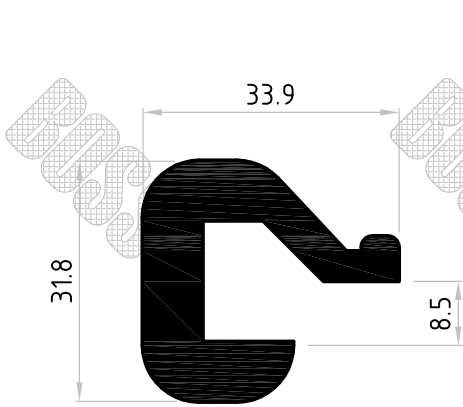


Part No. D03146

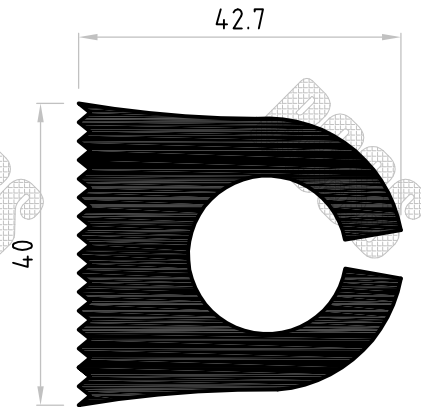


Part No. D03106

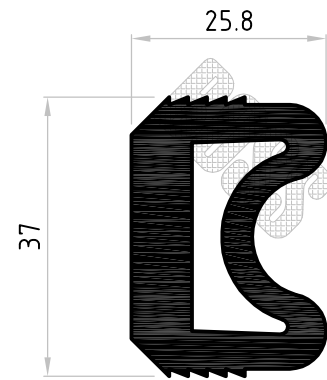
* Profile drawings appearing in this section are indicative only. some profiles may be restricted to specific customers, patents and or other limitations, The material displayed on this page may not be reprinted or otherwise reproduced without the express written permission of Boss Polymer Technologies.



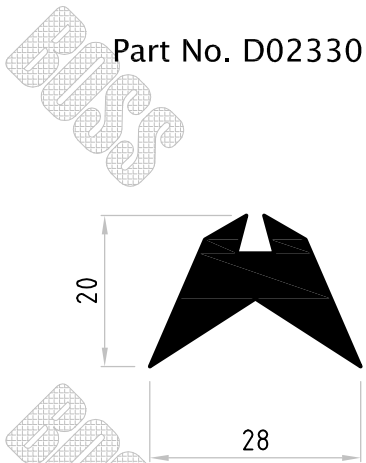
Part No. D02330



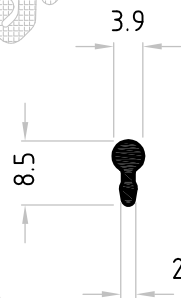
Part No. D01071



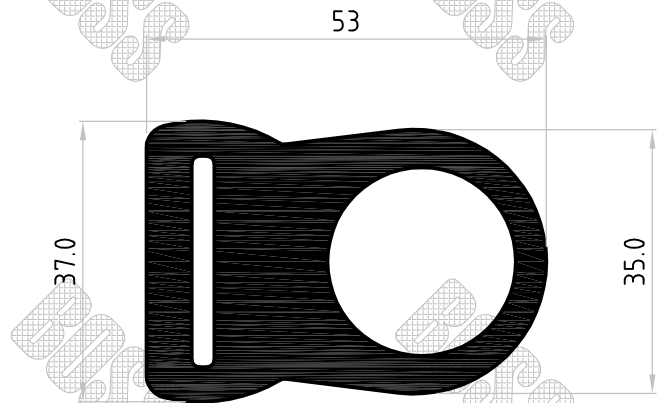
Part No. D02255



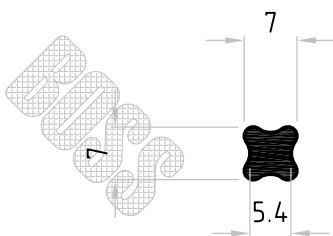
Part No. D00787



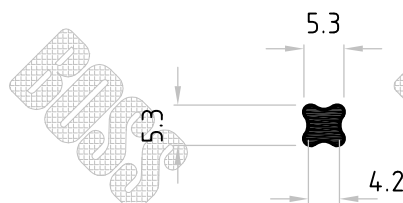
Part No. D02505



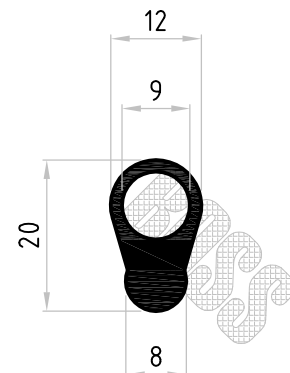
Part No. D01093



Part No. D03398



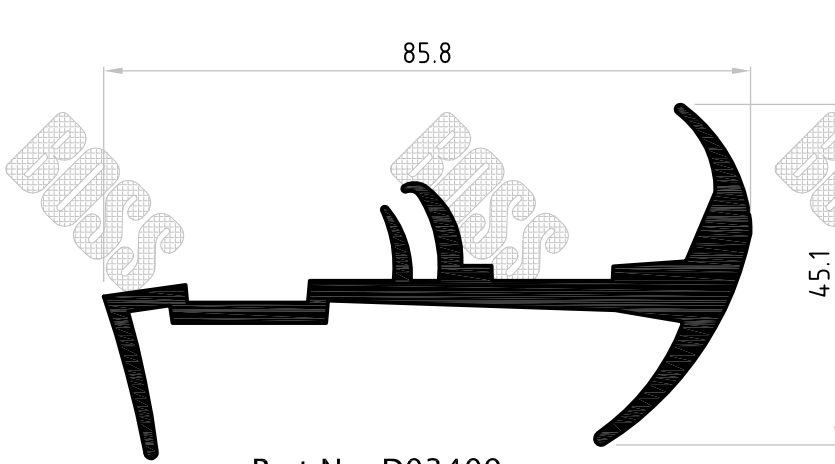
Part No. D03397



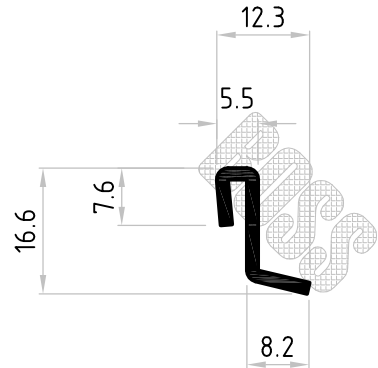
Part No. D02457

* Profile drawings appearing in this section are indicative only. some profiles may be restricted to specific customers, patents and or other limitations, The material displayed on this page may not be reprinted or otherwise reproduced without the express written permission of Boss Polymer Technologies.

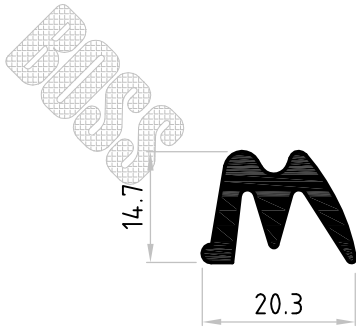
BOSS POLYMER TECHNOLOGIES PTY LTD
Melbourne Australia
PH: (613) 9561 2777
FAX: (613) 9560 8777
www.bosspolymer.com.au
E-MAIL: sales@bosspolymer.com.au



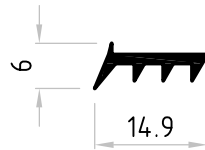
Part No. D03409



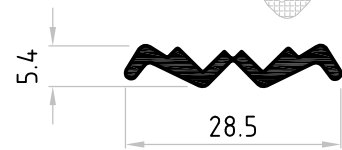
Part No. D02222



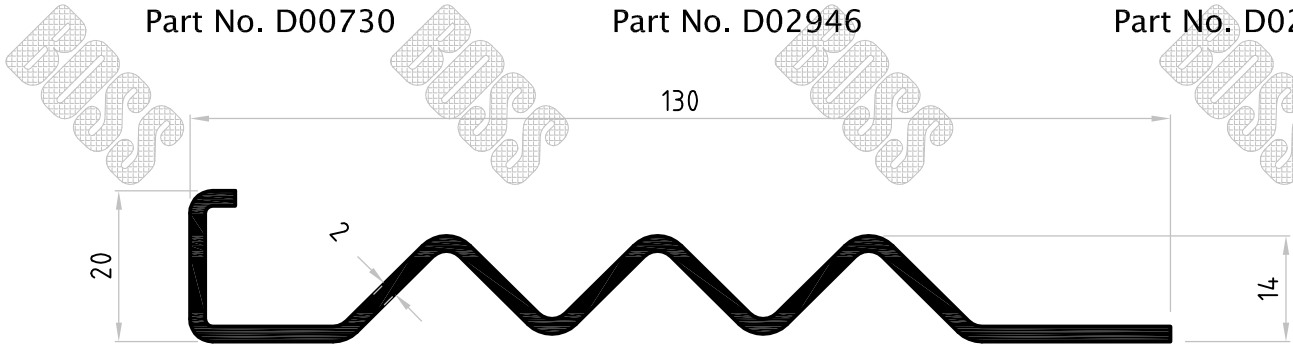
Part No. D00730



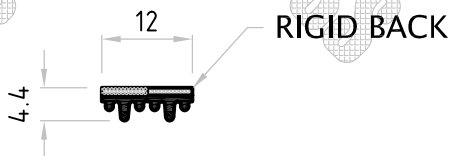
Part No. D02946



Part No. D02339

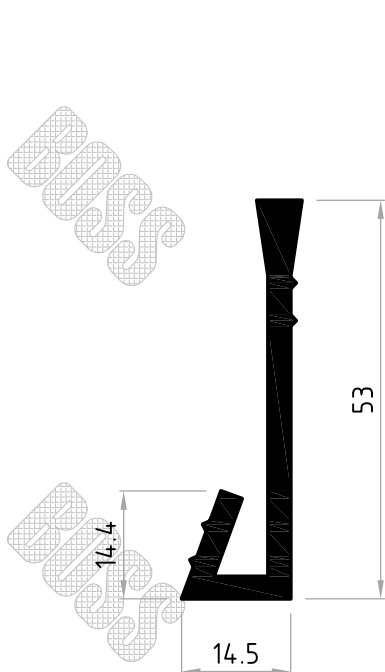


Part No. D00849

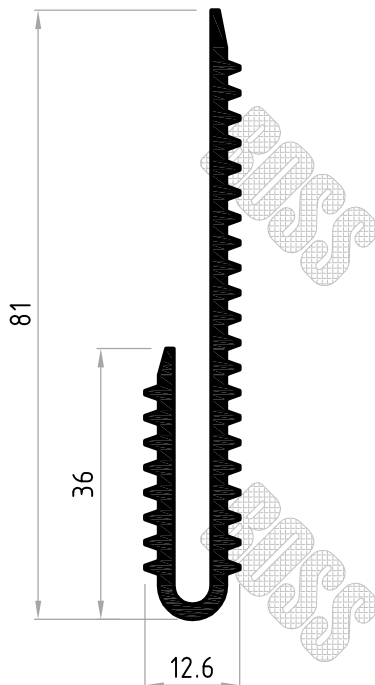


Part No. D02687

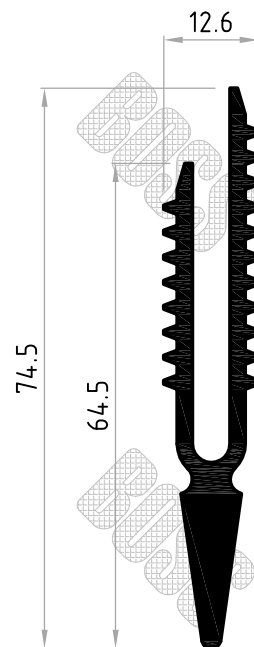
* Profile drawings appearing in this section are indicative only. some profiles may be restricted to specific customers, patents and or other limitations, The material displayed on this page may not be reprinted or otherwise reproduced without the express written permission of Boss Polymer Technologies.



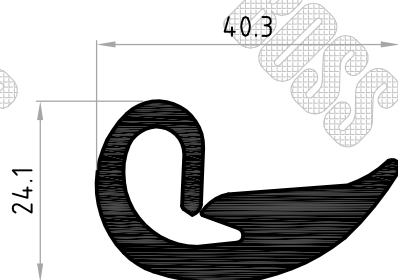
Part No. D03017



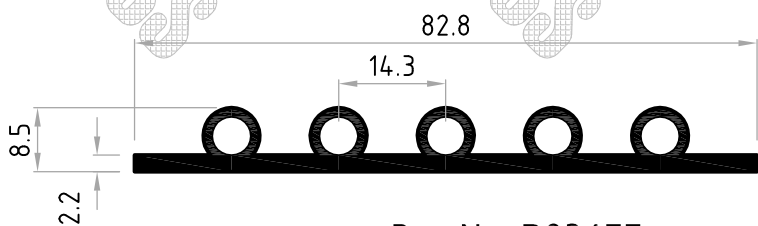
Part No. D02324



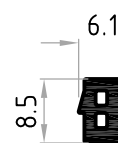
Part No. D03252



Part No. D03510



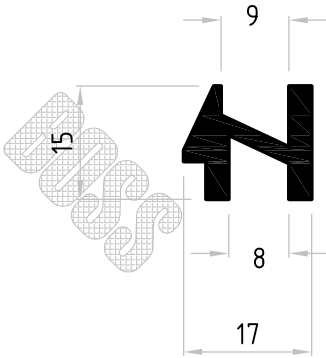
Part No. D03477



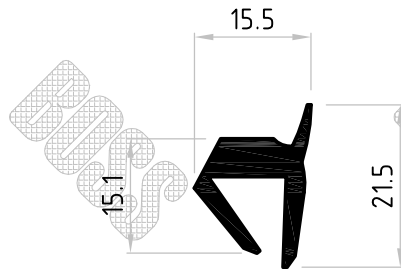
Part No. D03320

* Profile drawings appearing in this section are indicative only. some profiles may be restricted to specific customers, patents and or other limitations, The material displayed on this page may not be reprinted or otherwise reproduced without the express written permission of Boss Polymer Technologies.

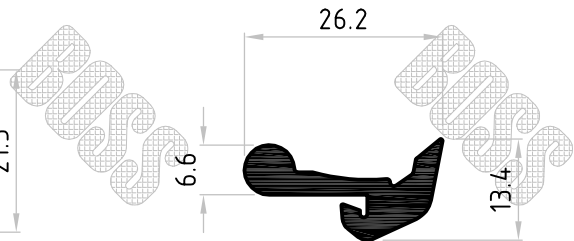
BOSS POLYMER TECHNOLOGIES PTY LTD
Melbourne Australia
PH: (613) 9561 2777
FAX: (613) 9560 8777
www.bosspolymer.com.au
E-MAIL: sales@bosspolymer.com.au



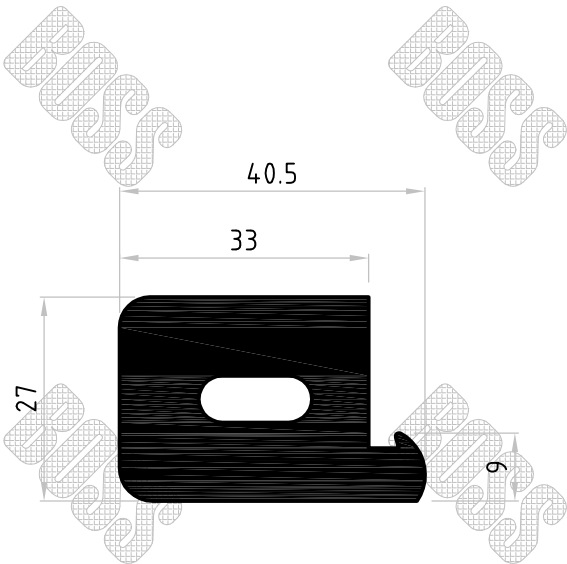
Part No. D02570



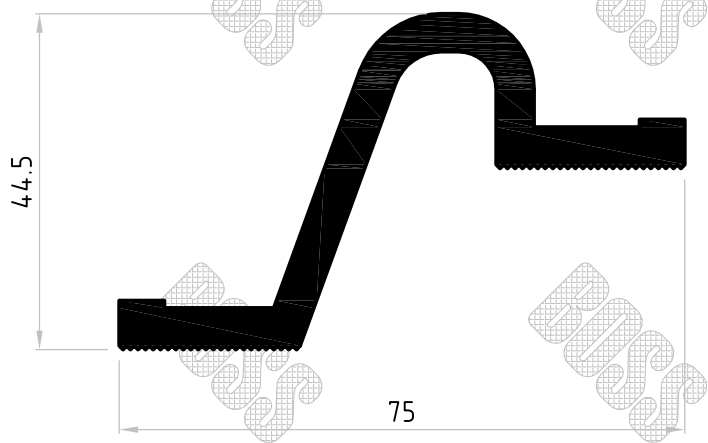
Part No. D02948



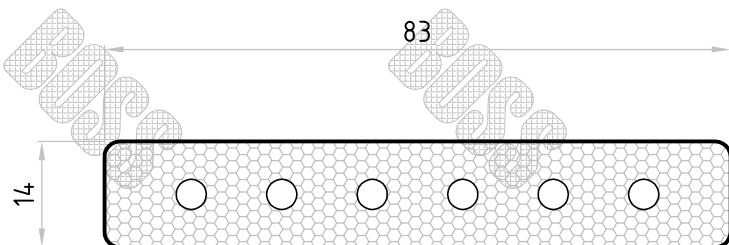
Part No. D02476



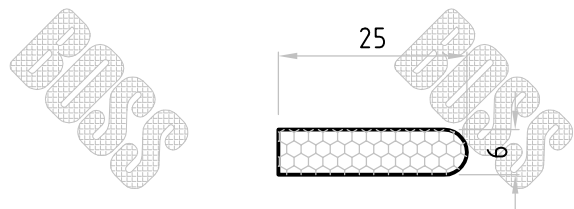
Part No. D03202



Part No. D02963



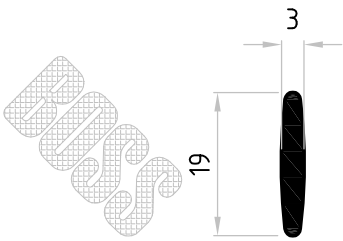
Part No. D03473



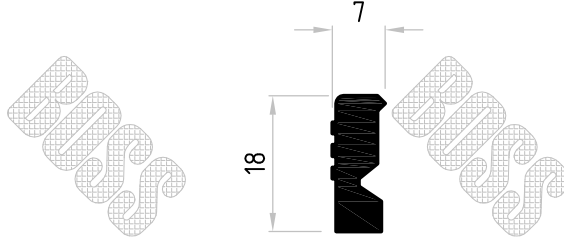
Part No. D02256

Part No. D03262

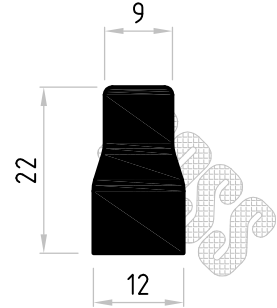
* Profile drawings appearing in this section are indicative only. some profiles may be restricted to specific customers, patents and or other limitations. The material displayed on this page may not be reprinted or otherwise reproduced without the express written permission of Boss Polymer Technologies.



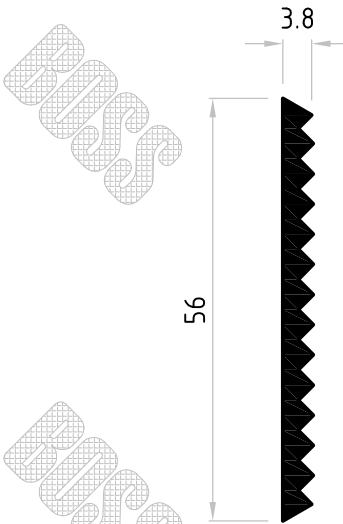
Part No. D02012
Part No. D02190



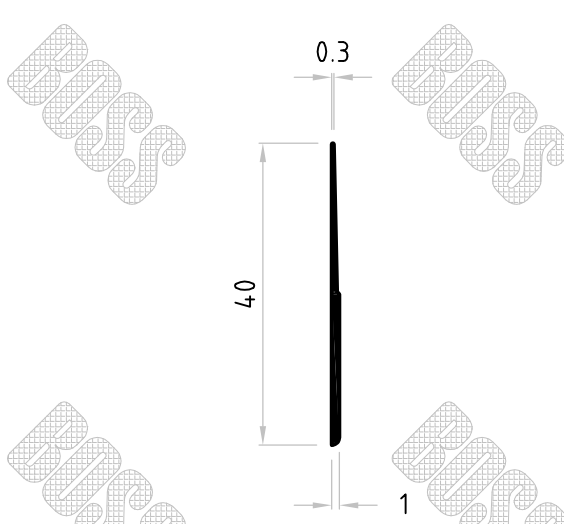
Part No. D02063



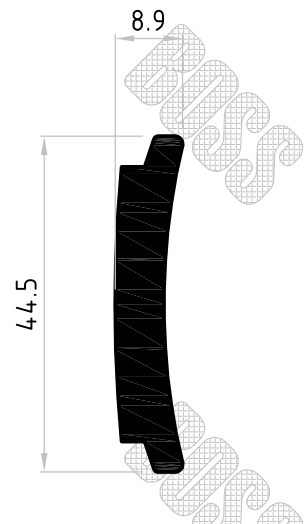
Part No. D02064



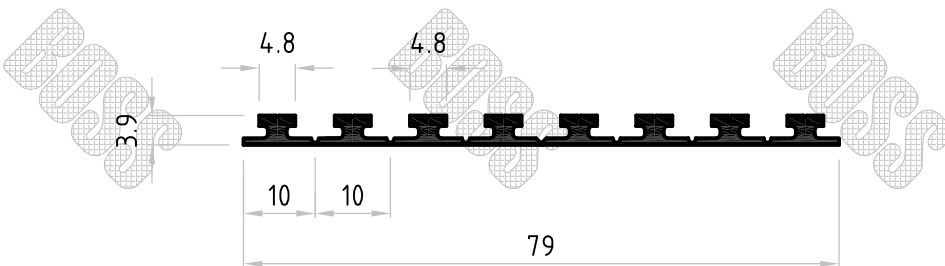
Part No. D02486



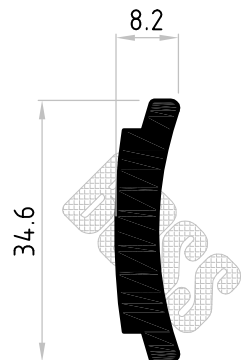
Part No. D02912



Part No. D03160

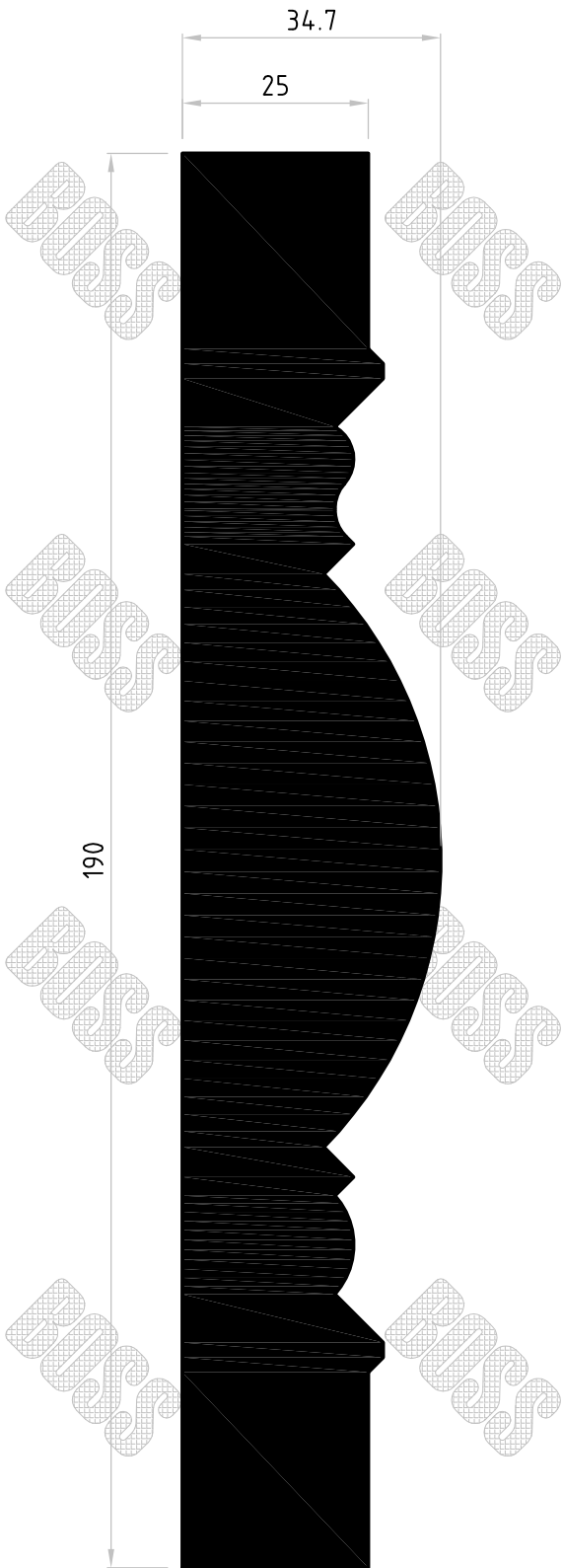


Part No. D03159

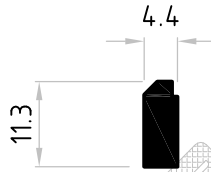


Part No. D03161

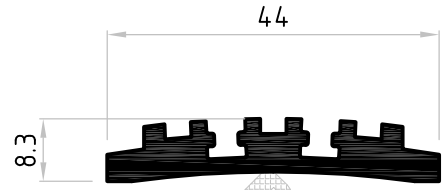
* Profile drawings appearing in this section are indicative only. some profiles may be restricted to specific customers, patents and or other limitations, The material displayed on this page may not be reprinted or otherwise reproduced without the express written permission of Boss Polymer Technologies.



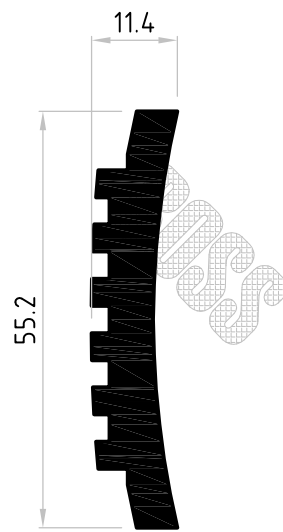
Part No. D00751



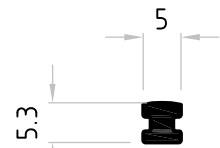
Part No. D03263



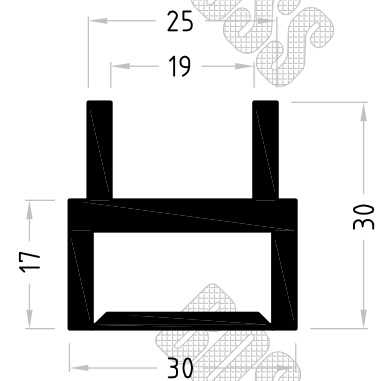
Part No. D03459



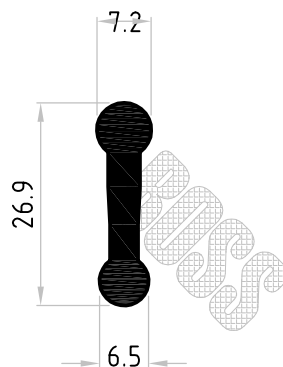
Part No. D02568



Part No. D03460

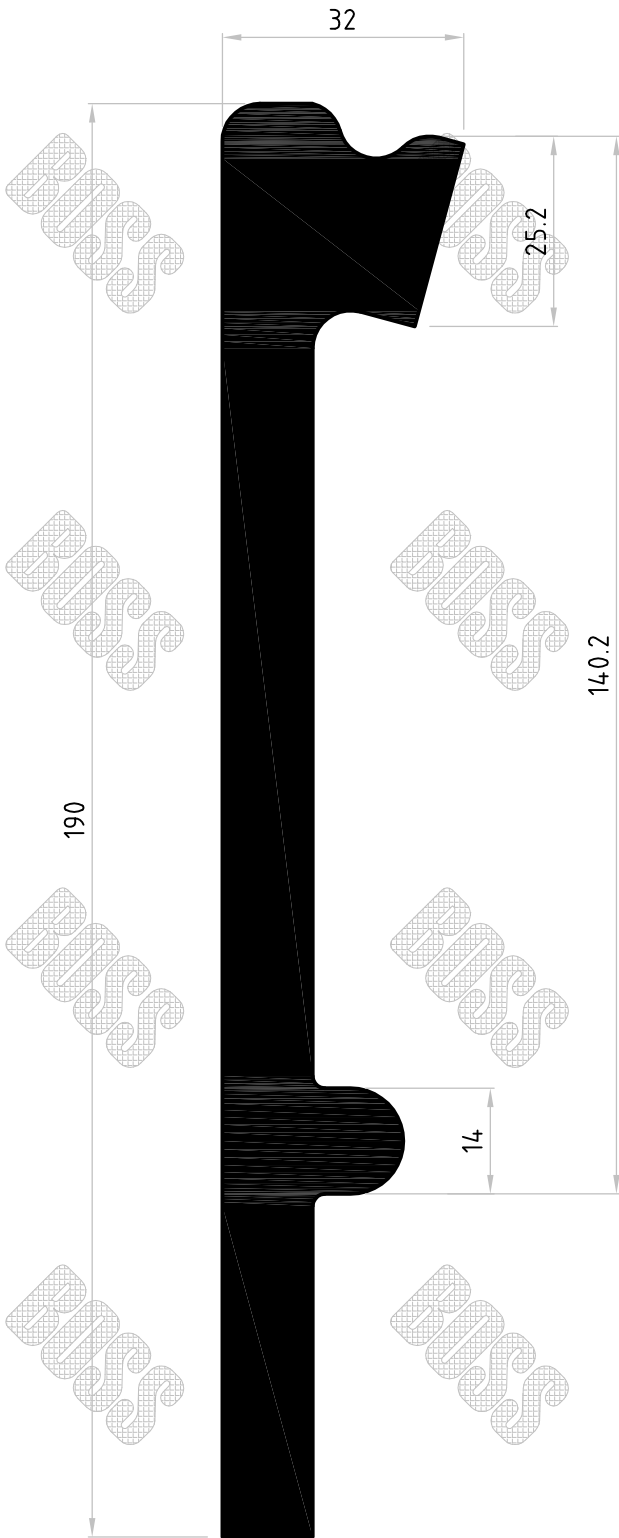


Part No. D03593

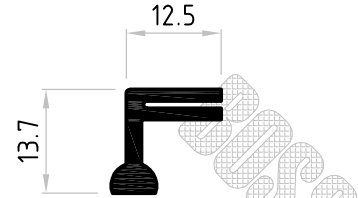


Part No. D02679

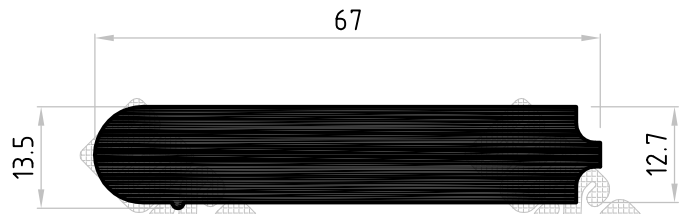
* Profile drawings appearing in this section are indicative only. some profiles may be restricted to specific customers, patents and or other limitations, The material displayed on this page may not be reprinted or otherwise reproduced without the express written permission of Boss Polymer Technologies.



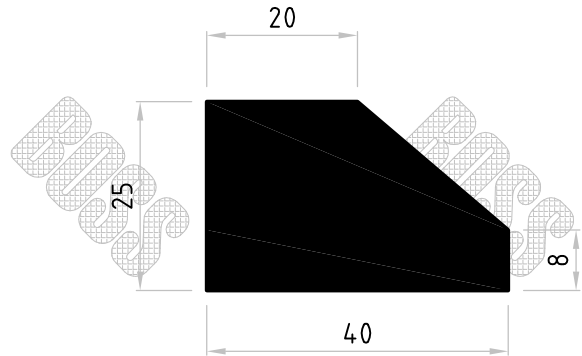
Part No. D00936



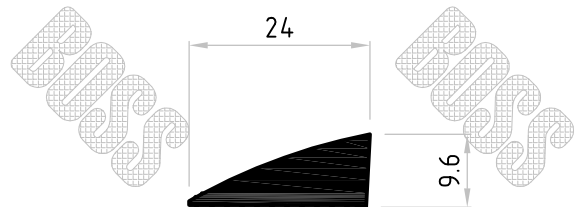
Part No. D02134



Part No. D03547

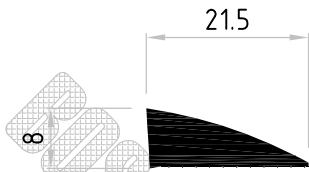


Part No. D02106

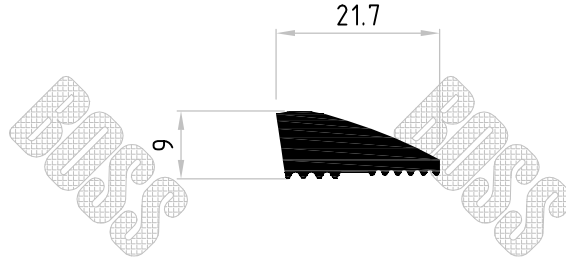


Part No. D03271

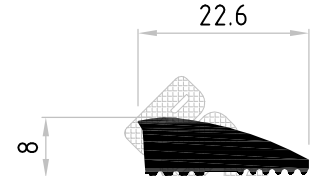
* Profile drawings appearing in this section are indicative only. some profiles may be restricted to specific customers, patents and or other limitations, The material displayed on this page may not be reprinted or otherwise reproduced without the express written permission of Boss Polymer Technologies.



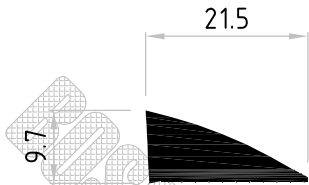
Part No. D03270



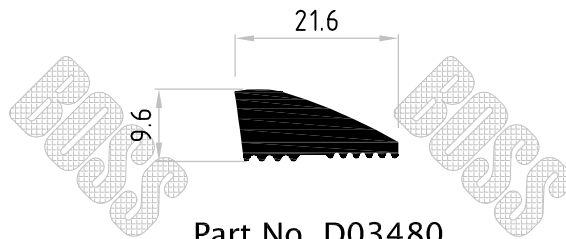
Part No. D03455



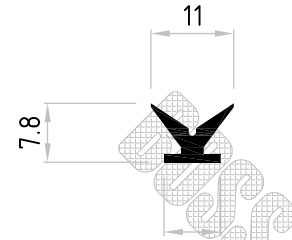
Part No. D03454



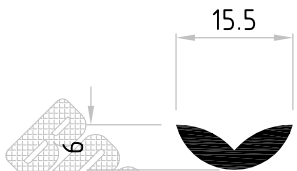
Part No. D03271



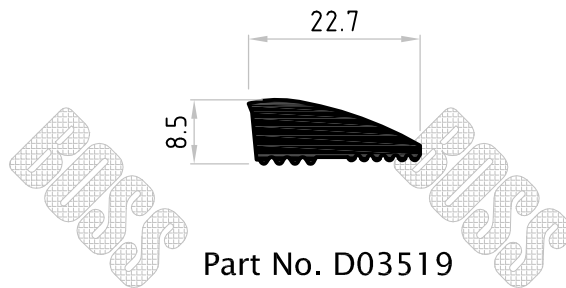
Part No. D03480



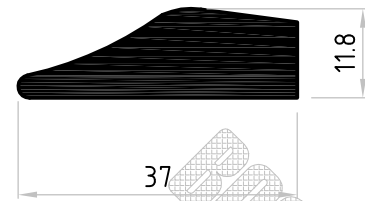
Part No. D02730



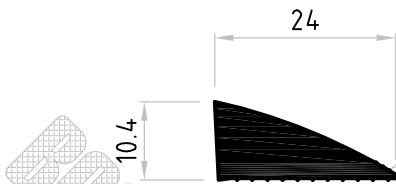
Part No. D03068



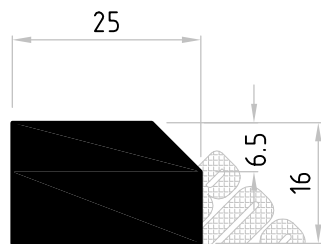
Part No. D03519



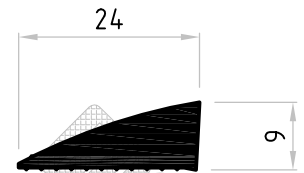
Part No. D03489



Part No. D03236

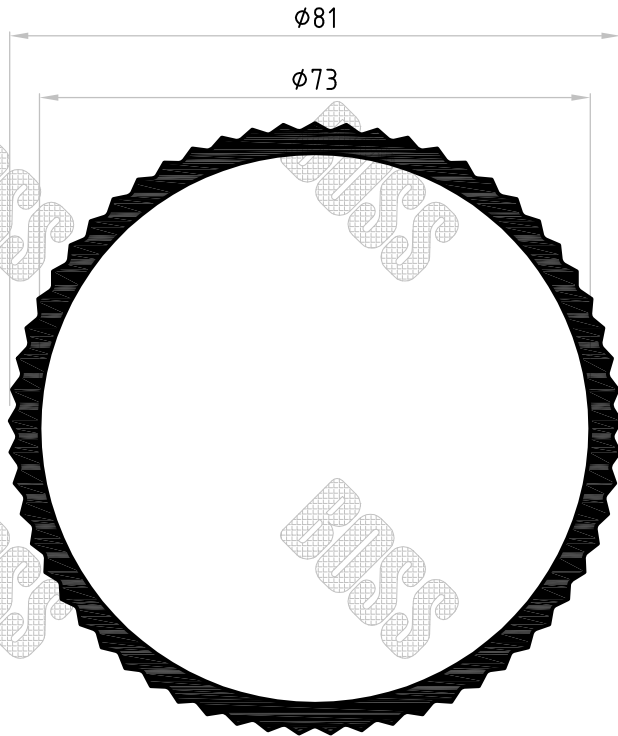


Part No. D02845



Part No. D03270

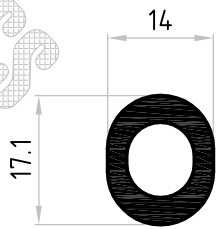
* Profile drawings appearing in this section are indicative only. some profiles may be restricted to specific customers, patents and or other limitations, The material displayed on this page may not be reprinted or otherwise reproduced without the express written permission of Boss Polymer Technologies.



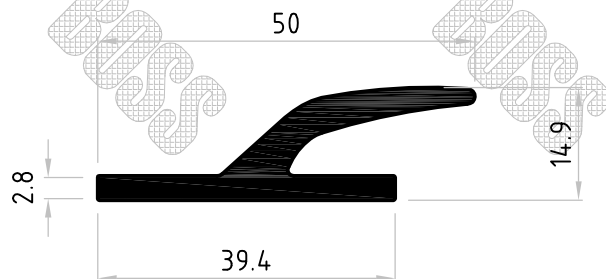
Part No. D02164



Part No. D00391
Part No. D00394

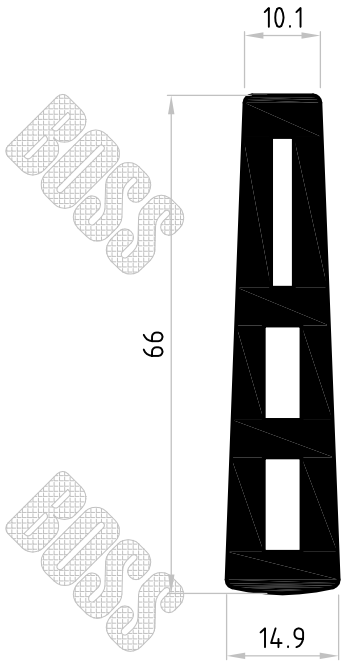


Part No. D02262

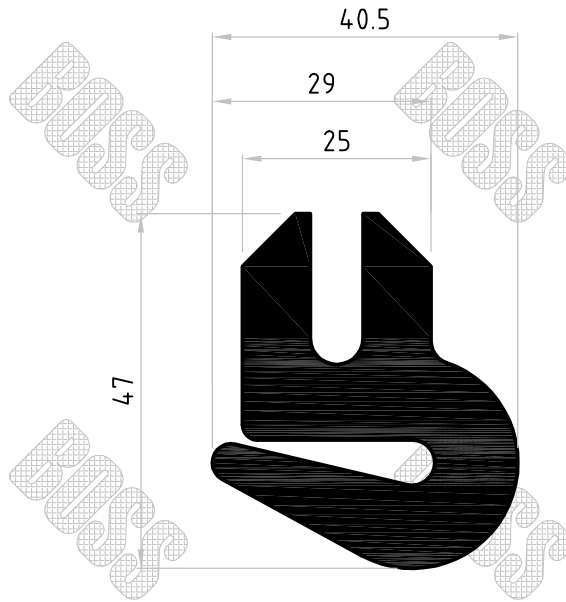


Part No. D03478

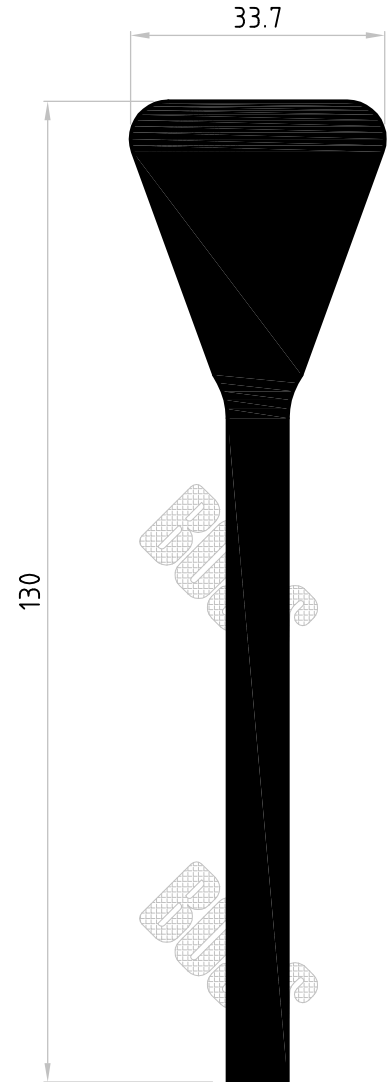
* Profile drawings appearing in this section are indicative only. some profiles may be restricted to specific customers, patents and or other limitations, The material displayed on this page may not be reprinted or otherwise reproduced without the express written permission of Boss Polymer Technologies.



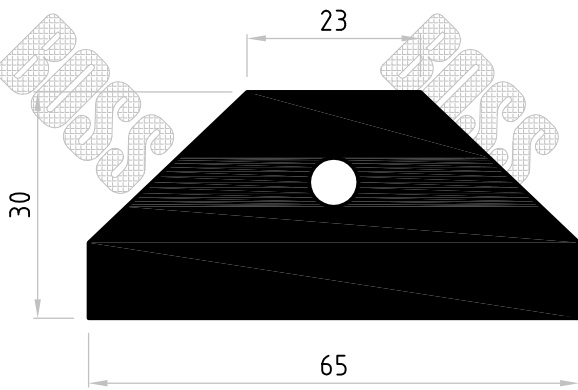
Part No. D02494



Part No. D02236



Part No. D03109



Part No. D02642

* Profile drawings appearing in this section are indicative only. some profiles may be restricted to specific customers, patents and or other limitations, The material displayed on this page may not be reprinted or otherwise reproduced without the express written permission of Boss Polymer Technologies.

BOSS POLYMER TECHNOLOGIES PTY LTD
Melbourne Australia
PH: (613) 9561 2777
FAX: (613) 9560 8777
www.bosspolymer.com.au
E-MAIL: sales@bosspolymer.com.au